

Metal Speed Controls

Feature

- Accurate regulation of an optimal air flow rate for Precise motion control.
- The compact design provides the comparable rang of speed as the larger standard Speed continue roller do.

Specification

Material	Body and collet:Nickel-plated Brass O-ring:NBR(other material is available on request)
Threads	BSPT,BSPP,NPT,Metric threads
Pressure Tube to connect	0.8-16bar(see tube)PU,PE,Nylon 6-11-12
Fluid	Compressed air
Temperature	-1℃ ~60℃ (see data of used tubing)

When You order Control In Type,Pls Put BAT The End of Model Type.For Example: XMNSE08-02B

XMNSE



Elbow

		MODEL(ΦD-T)			
		Tube(Metric)-Thread(R)	Tube(Inch)-Thread(R)	Tube(Inch)-Thread(NPT)	
XMNSE04-M5	XMNSE08-03	XMNSE1/8-01	XMNSE5/16-03	XMNSE1/8-U10	XMNSE1/4-N02
XMNSE04-M6	XMNSE08-04	XMNSE1/8-02	XMNSE5-16-04	XMNSE1/8-N01	XMNSE1/4-N03
XMNSE04-01	XMNSE10-01	XMNSE5/32-01	XMNSE3/8-01	XMNSE1/8-N02	XMNSE5/16-N01
XMNSE04-02	XMNSE10-02	XMNSE5/32-02	XMNSE3/8-02	XMNSE5/32-U10	XMNSE5/16-N02
XMNSE04-03	XMNSE10-03	XMNSE3/16-01	XMNSE3/8-03	XMNSE5/32-N01	XMNSE5/16-N03
XMNSE06-M5	XMNSE10-04	XMNSE3/16-02	XMNSE3/8-04	XMNSE5/32-N02	XMNSE3/8-N01
XMNSE06-M6	XMNSE12-01	XMNSE3/16-03	XMNSE1/2-02	XMNSE3/16-U10	XMNSE3/8-N02
XMNSE06-01	XMNSE12-02	XMNSE1/4-01	XMNSE1/2-03	XMNSE3/16-N01	XMNSE3/8-N03
XMNSE06-02	XMNSE12-03	XMNSE1/4-02	XMNSE1/2-04	XMNSE3/16-N02	XMNSE3/8-N04
XMNSE06-03	XMNSE12-04	XMNSE1/4-03		XMNSE3/16-N03	XMNSE1/2-N02
XMNSE08-01	XMNSE16-03	XMNSE5/16-01		XMNSE1/4-U10	XMNSE1/2-N03
XMNSE08-02	XMNSE16-04	XMNSE5/16-02		XMNSE1/4-N01	XMNSE1/2-N04

Metal Speed Controls With G Thread(O-ring)

XMNSE-G



Elbow(G thread)

		MODEL(ΦD-T)	
		Tube(Metric)-Thread(G)	Tube(Inch)-Thread(G)
XMNSE04-G01	XMNSE10-G02	XMNSE1/8-G01	XMNSE5/16-G03
XMNSE04-G02	XMNSE10-G03	XMNSE1/8-G02	XMNSE5-16-G04
XMNSE05-G01	XMNSE10-G04	XMNSE5/32-G01	XMNSE3/8-G01
XMNSE05-G02	XMNSE12-G01	XMNSE5/32-G02	XMNSE3/8-G02
XMNSE06-G01	XMNSE12-G02	XMNSE3/16-G01	XMNSE3/8-G03
XMNSE06-G02	XMNSE12-G03	XMNSE3/16-G02	XMNSE3/8-G04
XMNSE08-G01	XMNSE12-G04	XMNSE3/16-G03	XMNSE1/2-G02
XMNSE08-G02	XMNSE14-G03	XMNSE1/4-G01	XMNSE1/2-G03
XMNSE08-G03	XMNSE14-G04	XMNSE1/4-G02	XMNSE1/2-G04
XMNSE08-G04	XMNSE16-G03	XMNSE1/4-G03	
XMNSE10-G01	XMNSE16-G04	XMNSE5/16-G01	
		XMNSE5/16-G02	

Rapid Fittings For The Plastic Tubings

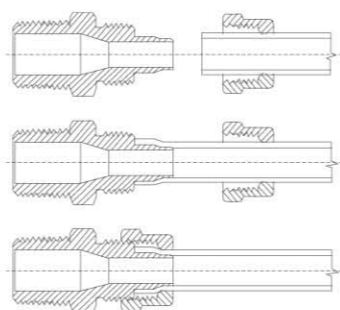
Feature

- The rapid fittings can be used with rigid nylon tubes.
- A locking nut is provided and can be tightened both manually and With a spanner.
- The special shape of the guiding cone ensures that the tube can not be accidentally cut.

Specification

Material	Body and collet:Nickel-plated Brass O-ring:NBR(other material is available on request)
Threads	BSPT,BSPP,NPT,Metric threads
Pressure	0.8-16bar(see tube)
Fluid	Compressed air
Temperature	-10℃ ~60℃ (see data of used tubing)

Construction



Rapid Fittings For The Plastic Tubings

XRPC



Male Straight

		MODEL(ΦD-T)					
		Tube(Metric)-Thread(R)			Tube(Metric)-Thread(G)		
T	ΦD	XRPC-5/3-M5	XRPC-6/4-02	XRPC-10/8-02	XRPC-5/3-G01	XRPC-8/6-G02	XRPC-10/8-G04
		XRPC-5/3-M6	XRPC-6/4-03	XRPC-10/8-03	XRPC-6/4-G01	XRPC-8/6-G03	XRPC-12/10-G03
		XRPC-5/3-01	XRPC-8/6-01	XRPC-10/8-04	XRPC-6/4-G02	XRPC-10/8-G01	XRPC-12/10-G04
		XRPC-6/4-M5	XRPC-8/6-02	XRPC-12/10-03	XRPC-6/4-G03	XRPC-10/8-G02	
		XRPC-6/4-M6	XRPC-8/6-03	XRPC-12/10-04	XRPC-8/6-G01	XRPC-10/8-G03	
		XRPC-6/4-01	XRPC-10/8-01				

XRSPC



Swivel Male Straight

		MODEL(ΦD-T)					
		Tube(Metric)-Thread(R)			Tube(Metric)-Thread(G)		
T	ΦD	XRSPC-5/3-M5	XRSPC-6/4-02	XRSPC-10/8-02	XRSPC-5/3-G01	XRSPC-8/6-G01	XRSPC-10/8-G02
		XRSPC-5/3-M6	XRSPC-6/4-03	XRSPC-10/8-03	XRSPC-6/4-G01	XRSPC-8/6-G02	XRSPC-10/8-G03
		XRSPC-5/3-01	XRSPC-8/6-01	XRSPC-10/8-04	XRSPC-6/4-G02	XRSPC-8/6-G03	XRSPC-10/8-G04
		XRSPC-6/4-M5	XRSPC-8/6-02	XRSPC-12/10-03	XRSPC-6/4-G03	XRSPC-10/8-G01	XRSPC-12/10-G03
		XRSPC-6/4-M6	XRSPC-8/6-03	XRSPC-12/10-04			XRSPC-12/10-G04
		XRSPC-6/4-01	XRSPC-10/8-01				

XRPCF



Female Straight

		MODEL(ΦD-T)					
		Tube(Metric)-Thread(R)			Tube(Metric)-Thread(G)		
T	ΦD	XRPCF-5/3-M5	XRPCF-6/4-01	XRPCF-10/8-01	XRPCF-5/3-G01	XRPCF-8/6-G02	XRPCF-10/8-G04
		XRPCF-5/3-M6	XRPCF-6/4-02	XRPCF-10/8-02	XRPCF-6/4-G01	XRPCF-8/6-G03	XRPCF-12/10-G03
		XRPCF-5/3-01	XRPCF-6/4-03	XRPCF-10/8-03	XRPCF-6/4-G02	XRPCF-8/6-G01	XRPCF-12/10-G04
		XRPCF-6/4-M5	XRPCF-8/6-01	XRPCF-10/8-04	XRPCF-6/4-G03	XRPCF-10/8-G02	
		XRPCF-6/4-M6	XRPCF-8/6-02	XRPCF-12/10-03	XRPCF-8/6-G01	XRPCF-10/8-G03	
			XRPCF-8/6-03	XRPCF-12/10-04			

XRPL



Swivel Male Elbow

		MODEL(ΦD-T)					
		Tube(Metric)-Thread(R)			Tube(Metric)-Thread(G)		
T	ΦD	XRPL-5/3-M5	XRPL-6/4-02	XRPL-10/8-02	XRPL-5/3-G01	XRPL-8/6-G02	XRPL-10/8-G04
		XRPL-5/3-M6	XRPL-6/4-03	XRPL-10/8-03	XRPL-6/4-G01	XRPL-8/6-G03	XRPL-12/10-G03
		XRPL-5/3-01	XRPL-8/6-01	XRPL-10/8-04	XRPL-6/4-G02	XRPL-10/8-G01	XRPL-12/10-G04
		XRPL-6/4-M5	XRPL-8/6-02	XRPL-12/10-03	XRPL-6/4-G03	XRPL-10/8-G02	
		XRPL-6/4-M6	XRPL-8/6-03	XRPL-12/10-04	XRPL-8/6-G01	XRPL-10/8-G03	
		XRPL-6/4-01	XRPL-10/8-01				

XRPLN



Male Elbow

		MODEL(ΦD-T)					
		Tube(Metric)-Thread(R)			Tube(Metric)-Thread(G)		
T	ΦD	XRPLN-5/3-M5	XRPLN-6/4-02	XRPLN-10/8-02	XRPLN-5/3-G01	XRPLN-8/6-G01	XRPLN-10/8-G03
		XRPLN-5/3-M6	XRPLN-6/4-03	XRPLN-10/8-03	XRPLN-6/4-G01	XRPLN-8/6-G02	XRPLN-10/8-G04
		XRPLN-5/3-01	XRPLN-8/6-01	XRPLN-10/8-04	XRPLN-6/4-G02	XRPLN-8/6-G03	XRPLN-12/10-G03
		XRPLN-6/4-M5	XRPLN-8/6-02	XRPLN-12/10-03	XRPLN-6/4-G03	XRPLN-10/8-G01	XRPLN-12/10-G04
		XRPLN-6/4-M6	XRPLN-8/6-03	XRPLN-12/10-04		XRPLN-10/8-G02	
		XRPLN-6/4-01	XRPLN-10/8-01				

XRPLF



Female Elbow

		MODEL(ΦD-T)					
		Tube(Metric)-Thread(R)			Tube(Metric)-Thread(G)		
T	ΦD	XRPLF-5/3-M5	XRPLF-6/4-02	XRPLF-10/8-02	XRPLF-5/3-G01	XRPLF-8/6-G01	XRPLF-10/8-G03
		XRPLF-5/3-M6	XRPLF-6/4-03	XRPLF-10/8-03	XRPLF-6/4-G01	XRPLF-8/6-G02	XRPLF-10/8-G04
		XRPLF-5/3-01	XRPLF-8/6-01	XRPLF-10/8-04	XRPLF-6/4-G02	XRPLF-8/6-G03	XRPLF-12/10-G03
		XRPLF-6/4-M5	XRPLF-8/6-02	XRPLF-12/10-03	XRPLF-6/4-G03	XRPLF-10/8-G01	XRPLF-12/10-G04
		XRPLF-6/4-M6	XRPLF-8/6-03	XRPLF-12/10-04		XRPLF-10/8-G02	
		XRPLF-6/4-01	XRPLF-10/8-01				