

XGT Series Pneumatic Gear Vibrator



XGT-8

XGT-16

Feature

Product Features

Vibration intensity can be adjusted based on air pressure, can immediately start, stop, fast, low-noise, vibration force, security.

Application

Feed material conveyor, vibrating screening, vibrating hopper, to help fill packaging, foundry sand mold vibration.

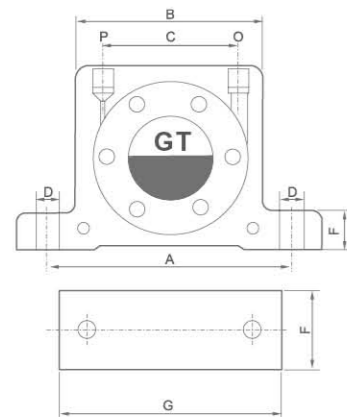
Works

Copper eccentric gear installed counterweight impact at intake charge into the gear thrust gear rotates, the eccentric rotation of the centrifugal weight with vibration, the gear driven by a bearing, low noise.

Specification

Model	Frequency(V.P.M)			Vibration power(N)			Air consumption(L/min)		
	0.2Mpa	0.4Mpa	0.6Mpa	0.2Mpa	0.4Mpa	0.6Mpa	0.2Mpa	0.4Mpa	0.6Mpa
XGT-8	34.850	42.000	45.500	980	2.100	2.800	46	80	112
XGT-10	27.500	35.000	37.500	840	1.390	2.400	46	80	112
XGT-13	26.000	30.000	33.000	1.400	2.440	3.730	120	200	290
XGT-16	17.000	21.500	24.000	1.220	2.090	3.160	120	200	290
XGT-20	17.000	20.000	23.000	2.170	4.040	5.520	185	325	455
XGT-25	12.000	15.500	17.000	2.120	3.510	5.070	185	325	455
XGT-32	13.000	14.000	16.000	3.380	5.430	7.540	330	530	745
XGT-36	7.800	10.000	13.000	3.300	5.000	7.150	330	530	745
XGT-40	7.500	8.800	9.500	4.350	7.350	9.850	408	428	680
XGT-48	5.800	7.500	9.700	4.950	7.750	10.6007	408	428	680
XGT-60	4.758	6.530	8.515	5.700	9.800	11.150	505	600	920

Overall Dimensions



Dimension Sheet

Model	A	B	C	D	E	F	G	P/O
XGT-8	68	50	28	7	12	35	86	1/8
XGT-10	68	50	28	7	12	35	86	1/8
XGT-13	90	65	39	9	16	43	113	1/4
XGT-16	90	65	39	9	16	43	113	1/4
XGT-20	104	82	56	9	17	56	128	1/4
XGT-25	104	82	56	9	17	56	128	1/4
XGT-32	130	103	76	11	21	73	160	3/8
XGT-36	130	103	76	11	21	73	160	3/8
XGT-40	152	122	85	18	27	80	194	3/8
XGT-48	152	122	85	18	27	80	194	3/8
XGT-60	195	140	96	21	30	95	240	1/2

XK Series Pneumatic Ball Vibrator



XK-10

XK-16

Feature

Product Features

Vibration intensity according to the pressure regulator, affordable, long life, safe, can be used in damp, dust and explosion sites.

Application

Feed material conveyor, vibrating screening, vibrating hopper, to help fill packaging, foundry sand mold vibration.

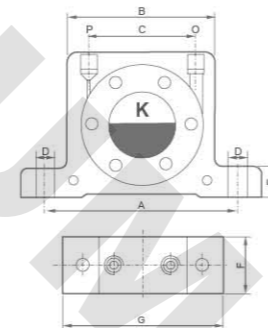
Works

Means of precision steel sleeve and the ball, the outer shell sealed by a special aluminum alloy, to promote the use of air charged into the rotary sleeve in the steel ball weigh ball and the distance between the center of the centrifugal force generated vibration.

Specification

Model	Frequency(V.P.M)			Vibration power(N)			Air consumption(L/min)		
	0.2Mpa	0.4Mpa	0.6Mpa	0.2Mpa	0.4Mpa	0.6Mpa	0.2Mpa	0.4Mpa	0.6Mpa
XK-8	22.500	27.250	34.100	245	465	700	90	150	190
XK-10	22.500	27.250	34.100	245	465	700	90	150	190
XK-13	13.250	17.500	19.000	440	820	1.200	100	190	270
XK-16	13.250	17.500	19.000	440	820	1.200	100	190	270
XK-20	10.000	12.750	14.111	950	1.675	2.000	150	270	400
XK-25	10.000	12.750	14.111	950	1.675	2.000	150	270	400
XK-32	7.500	9.350	11.000	2000	3.150	4.000	270	460	680
XK-36	7.500	9.350	11.000	2000	3.150	4.000	270	460	680

Overall Dimensions



Dimension Sheet

Model	A	B	C	D	E	F	G	P/O
XK-8	68	50	28	7	12	22	86	1/4
XK-10	68	50	28	7	12	22	86	1/4
XK-13	90	65	39	9	16	27	113	1/4
XK-16	90	65	39	9	16	27	113	1/4
XK-20	104	82	57	9	17	38	128	1/4
XK-25	104	82	57	9	17	38	128	1/4
XK-32	130	103	76	11	21	50	160	3/8
XK-36	130	103	76	11	21	50	160	3/8

XR Series Roller Vibrator



XR-50

Feature

This small pneumatic vibrator design is simple, but still gives a strong centrifugal force. Body made from an extruded aluminum, refined steel roll in which the scrolling. This steel roller by the two special high-impact plastic cover positioning. The housing has two horizontal and two vertical holes, making installation easy. Air into two mutually perpendicular intake of an entry. The two air intakes for the standard pipe thread. Is not a block intake, supplied with a pipe plug.

Specification

Model	Frequency(V.P.M)			Vibration power(N)			Air consumption(L/min)		
	0.2Mpa	0.4Mpa	0.6Mpa	0.2Mpa	0.4Mpa	0.6Mpa	0.2Mpa	0.4Mpa	0.6Mpa
XR-50	25.150	35.150	36.150	1.175	2.955	4.2550	1.550	1.450	1.950
XR-65	19.150	21.150	26.150	2.755	4.855	6.1550	2.150	3.100	4.150
XR-80	15.650	18.650	19.150	3.150	6.125	7.450	4.500	4.350	5.750
XR-100	11.050	14.150	15.150	3.765	6.750	8.955	5.600	5.550	7.350