

XC Series Stainless Steel Bevel Valve



Ordering Code

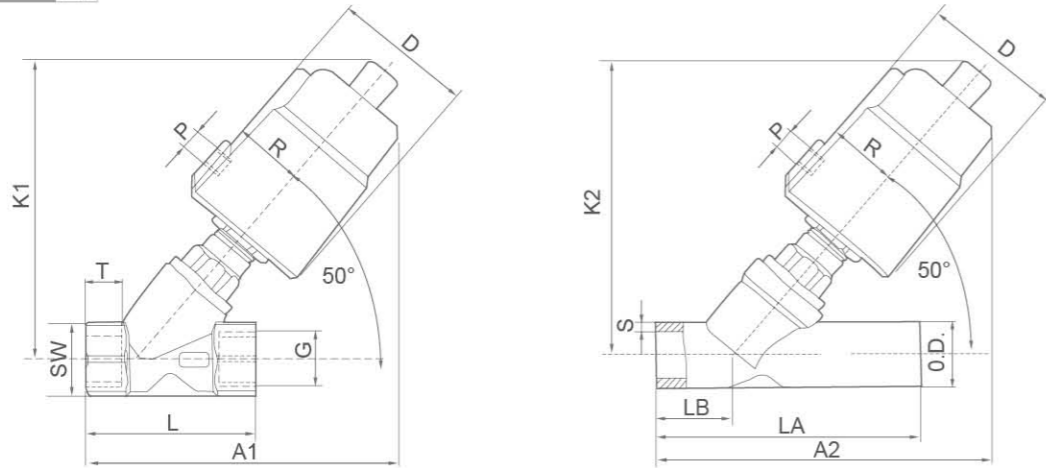
XC	10	40	□	□
Series Code	Port Size	Actuator Size	Type	Body Material
XC Series	10:G3/8"	40:40mm	SC:Single Action	Blank:S.S 304
Stainless Steel	15:G1/2"	50:50mm	Normal Close	(Standard)
Bevel Valve	20:G3/4"	63:63mm	SO:Single Action	316:S.S 316
	25:G1"	90:90mm	Normal Open	316L:S.S 316L
	32:G1-1/4"	100:100mm	DC:Double Action	
	40:G1-1/2"		Normal Close	
	50:G2"		DF:Double Action	
	65:G2-1/2"		Free Installation	
	80:G3"			

Specification

Model	XC10-80SC/SO/DC/DF		
Port size	DN10-DN50		
Thread	G3/8"-G3"		
Welded	DIN11850	2 DIN11850	3 ISO2037
Valve Body	CF8M		
Actuator	CF8		
Seat seals	PTFE		
Stem seals	PTFE/FKM		
Piston seals	FKM/NBR		

Model	XC10-80SC/SO/DC/DF	
Applicable medium	Water,liquid,neutral gas,water steam slight corrosive gas and liquid	
Temperature range	PTFE:-10°C to +180°C	
Ambient temperature	-10°C to +60°C	
Viscosity	max. 600mm ² /s	
Installation	Any position	
Controlling medium	Air or neutral gas	
Controlling pressure range	0.3~1Mpa	

Overall Dimensions



Dimension Sheet

Specification	Actuator (mm)	D	R	P	Thread						Welded					
					G	K1	A1	L	T	SW	O.D.	K2	A2	LA	LB	S
DN10	40	53	28	G1/8"	G3/8"	105	144	65	12	25	/	/	/	/	/	/
DN15	50	56	35	G1/8"	G1/2"	142	182	76	14	28	21	115	142	100	18	3
DN20	50	56	35	G1/8"	G3/4"	152	189	92	16	32	27	131	170	117	30	3
DN25	50	56	35	G1/8"	G1"	155	207	103	21	39	34	138	175	130	30	3
DN25	63	70	43	G1/8"	G1"	176	217	103	21	39	34	166	200	130	30	3
DN32	63	70	43	G1/8"	G1-1/4"	177	222	112	19	49	42	172	207	145	30	3
DN40	63	70	43	G1/8"	G1-1/2"	182	225	129	21	56	48	174	207	160	30	4
DN50	63	70	43	G1/8"	G2"	196	249	143	27	68	60	193	227	190	30	4
DN50	90	94	56	G1/4"	G2"	206	268	143	27	68	60	202	235	190	30	4
DN65	90	94	56	G1/4"	G2-1/2"	215	290	186	28	84	76	209	255	230	40	5
DN80	125	135	73	G1/4"	G3"	295	335	218	34	101	/	/	/	/	/	/

XQ22HD Series Right Angle Valve



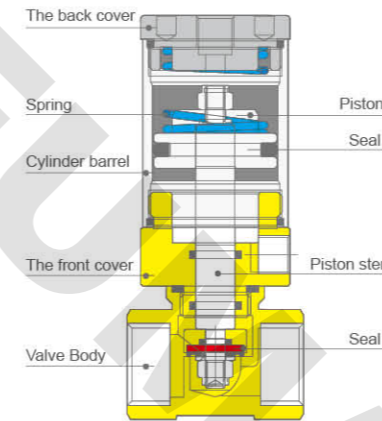
Ordering Code

X	Q	22	HD	□	□	□
XCPC Product	Right angle valve code	Two-position Two-way	Air control liquid valve	Connection Size	Type	Material
				15:G1/2" 20:G3/4" 25:G1" 32:G1 1/4" 40:G1 1/2" 50:G2"	S:Single acting type D:Double acting type K:Normally open	Blank: Normal type H: High temperature type

Product Features

Classical design, durable Air control design, energy saving and environmental protection Big flow rate, safety and Precision Can work at low pressure, smartness for on and off, good seal performance. There are two kinds of structure single acting type and double acting type.
Application: food, medicine, industry, abstersion, landification, printing, etc.
Remark: Normally open: Flow comes under the piston seal, against arrow on body.

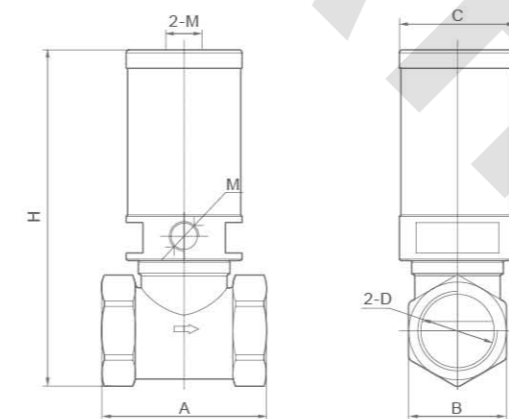
Internal structure



Specification

Model	Orifice	Medium	Working pressure	Temp range	Kv value(m3/k)
XQ22HD-15	15mm	Compress Air Water Oil	0.2~0.6MPa	-5-60°C (High temperature) -5-150°C	4
XQ22HD-20	20mm				5
XQ22HD-25	25mm				10
XQ22HD-32	32mm				25
XQ22HD-40	40mm				25
XQ22HD-50	50mm				40

Overall Dimensions



Dimension Sheet

Model	A	B	C	D	H	M
XQ22HD-15	47	26	31	G1/2"	96	G1/8"
XQ22HD-20	54	33	31	G3/4"	102	G1/8"
XQ22HD-25	66	34	38	G1"	115	G1/8"
XQ22HD-32	77	48	46	G1-1/4"	143	G1/8"
XQ22HD-40	86	54	56	G1-1/2"	160	G1/8"
XQ22HD-50	116	67	69	G2"	182	G1/8"