

XMF Series Insert Pipe Type Pulse Valve



Ordering Code

X **MF** **□** **25** — **DD** **EX**

X XCPC Product
MF Pulse Jet Valve
□ Type Code
 Blank: Solenoid control
 Q: Pneumatic control
25 Orifice Solenoid
DD Insert Pipe Type
EX Wiring Form
 Blank: Normal Type
 EX: Ex-proof Type

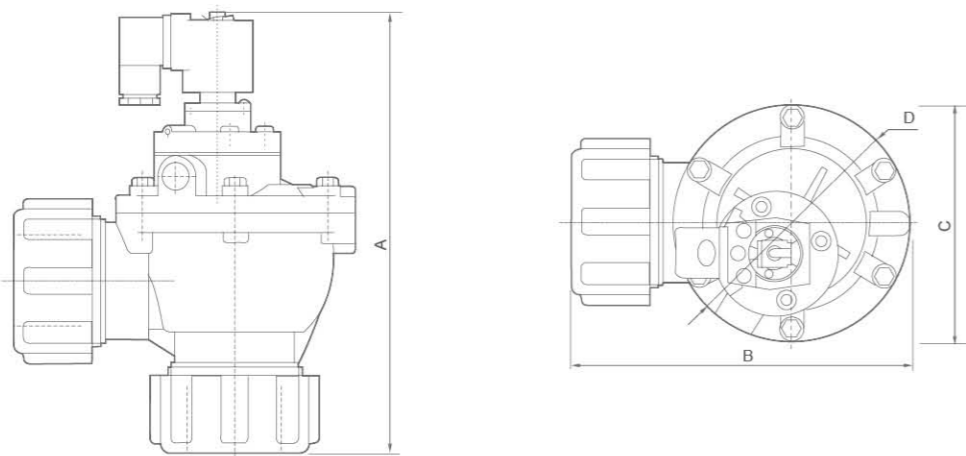
Speciality

Adopt international advanced technology
 Used for dust remover
 Key parts all made of imported materials
 Pneumatic control type, solenoid control type, ex-proof solenoid control type for choose.
 Insert pipe style, much easier to be mounted.

Specification

| Model | XMF-25DD | XMF-45DD |
|-----------------------|-------------------------|----------|
| Working Pressure | 0.3~0.8MPa | |
| Ambient Temperature | -5~55℃ | |
| Relatively Humidity | < 85% | |
| Working Medium | Clean Air | |
| Voltage | AC110V/AC220V/DC24V | |
| Diaphragm Life Cycles | Over One Million Cycles | |
| Orifice(mm) | Φ25 | Φ45 |
| Connection Port | G1" | G1-1/2" |

Overall Dimensions



Dimension Sheet

| Model | A | B | C | D |
|----------|-----|-------|------|------|
| XMF-25DD | 189 | 131 | 82.5 | - |
| XMF-45DD | 237 | 179.5 | - | Φ126 |

XCP Series Plastic Actuator Bevel Valve

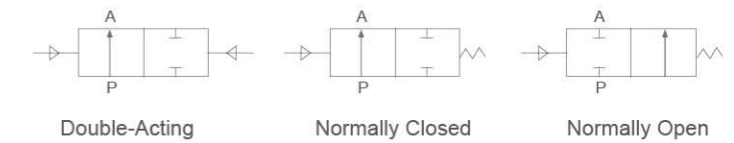


Ordering Code

XCP **15** — **50** **S** **C** **□**

XCP Serie Code
 XCP Series
 Plastic Bevel Valve
15 Port Size
 10: G3/8"
 15: G1/2"
 20: G3/4"
 25: G1"
 32: G1-1/4"
 40: G1-1/2"
 50: G2"
 65: G2-1/2"
 80: G3"
50 Actuator Size
 40: 40mm
 50: 50mm
 63: 63mm
 80: 80mm
 100: 100mm
S Action Type
 S: Single Action
 D: Double Action
C Control Function
 C: Normal Close (Standard)
 O: Normal Open
□ Body Material
 Blank: S.S 304 (Standard)
 316: S.S 316
 316L: S.S 316L

Graphic Symbol

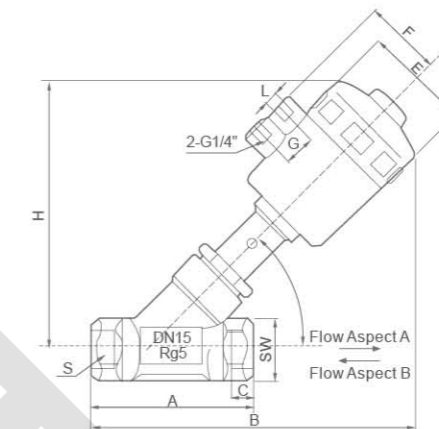


Specification

| Model | 10 | 15 | 20 | 25 | 32 | 40 | 50 | 65 | 80 |
|----------------------------|-----------|-------|-------|-------|---------|---------|-------|---------|-------|
| Port size | G3/8" | G1/2" | G3/4" | G1" | G1-1/4" | G1-1/2" | G2" | G2-1/2" | G3" |
| KV Value(m³/h) | 3.7 | 4.2 | 9 | 19 | 33 | 42 | 59 | 90 | 135 |
| Max. Working Pressure(Mpa) | 0~1.6 | 0~1.6 | 0~1.1 | 0~1.1 | 0~1.5 | 0~1.25 | 0~1.0 | 0~1.6 | 0~1.6 |
| Min. Pilot Pressure(Mpa) | 0.39 | 0.39 | 0.39 | 0.42 | 0.5 | 0.44 | 0.4 | 0.4 | 0.4 |
| Actuator | 40 | 50 | 50 | 50/63 | 63 | 63 | 63/80 | 80 | 100 |
| Medium Temperature | -10~+180℃ | | | | | | | | |

Flow Direction A(Flow Direction Below The Seat) or B(Flow Direction above The Seat)

Overall Dimensions



Dimension Sheet

| Orifice Size(mm) | Port size | Actuator Size(Φmm) | A | B | C | ΦE | F | H | S | SW | G | L |
|------------------|-----------|--------------------|-----|-----|----|-----|----|-----|---------|-----|----|-------|
| 10 | G3/8" | 40 | 65 | 142 | 12 | 53 | 30 | 85 | G3/8" | 25 | 20 | G1/8" |
| 15 | G1/2" | 50 | 76 | 168 | 14 | 64 | 44 | 115 | G1/2" | 28 | 24 | G1/4" |
| 20 | G3/4" | 50 | 92 | 175 | 16 | 64 | 44 | 131 | G3/4" | 32 | 24 | G1/4" |
| 25 | G1" | 63 | 103 | 218 | 21 | 80 | 54 | 166 | G1" | 39 | 24 | G1/4" |
| 32 | G1-1/4" | 63 | 112 | 228 | 19 | 80 | 54 | 172 | G1-1/4" | 49 | 24 | G1/4" |
| 40 | G1-1/2" | 63 | 129 | 232 | 21 | 80 | 54 | 174 | G1-1/2" | 56 | 24 | G1/4" |
| 50 | G2" | 80 | 143 | 263 | 27 | 100 | 62 | 202 | G2" | 68 | 24 | G1/4" |
| 65 | G2-1/2" | 80 | 186 | 280 | 28 | 100 | 62 | 209 | G2-1/2" | 84 | 24 | G1/4" |
| 80 | G3" | 100 | 218 | 355 | 34 | 125 | 71 | 268 | G3" | 101 | 30 | G1/4" |