

### XMfZ Series Right Angle Pulse Valve



Ordering Code

**X** XCPC Product  
**MF** Pulse Valve  
**Z** Type Code  
**25** Orifice Size  
**P** Thread Type  
**EX** Wiring Form

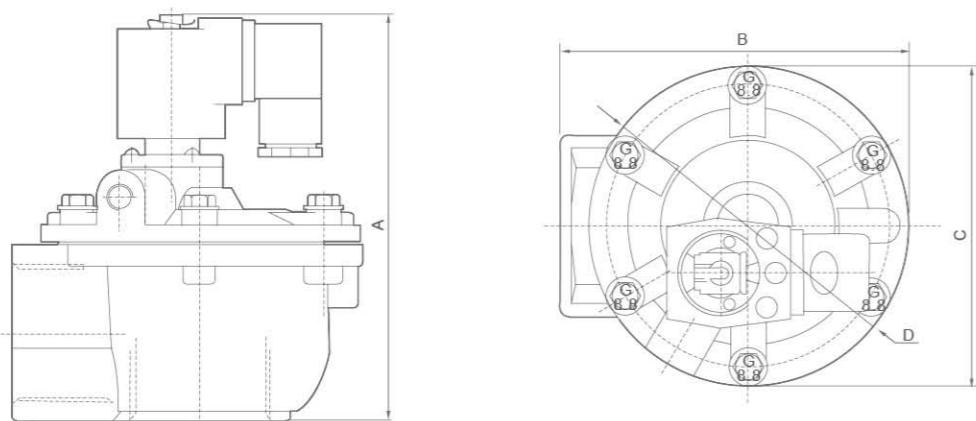
**Speciality**

Adopt international advanced technology.  
 Used for dust remover.  
 Key parts all made of imported materials.  
 Pneumatic control type, solenoid control type, ex-proof solenoid control type for choose.  
 Female thread connection port, easy to be mounted.

Specification

Model	XMfZ-20A	XMfZ-20P	XMfZ-20	XMfZ-25	XMfZ-25P	XMfZ-35P	XMfZ-40S	XMfZ-50S	XMfZ-62S	XMfZ-76S	XMfZ-100S
Working Pressure	0.3~0.8MPa										
Ambient Temperature	-5~55℃										
Relatively Humidity	< 85%										
Working Medium	Clean Air										
Voltage	AC110V/AC220V/DC24V										
Diaphragm Life Cycles	Over 1000k Cycles										
Orifice(mm)	Φ20	Φ20	Φ20	Φ25	Φ25	Φ35	Φ40	Φ50	Φ62	Φ76	Φ100
Connection Port	G3/4"	G3/4"	G3/4"	G1"	G1"	G1 1/2"	G1 1/2"	G2"	G2 1/2"	G3"	Φ100

Overall Dimensions



Dimension Sheet

Model	XMfZ-20A	XMfZ-20P	XMfZ-20	XMfZ-25	XMfZ-25P	XMfZ-35P	XMfZ-40S	XMfZ-50S	XMfZ-62S	XMfZ-76S	XMfZ-100S
A	173	124	110	110	124	142	166	202	222	245	356.5
B	145	105	90.5	90.5	105	121	132	210	210	230.5	286.5
C	-	82.5	75	75	82.5	-	-	-	-	-	-
D	Φ90	-	-	-	-	Φ112	Φ137	Φ185	Φ185	Φ200	Φ221

### XMfY Series In Line Pulse Valve



Ordering Code

**X** XCPC Product  
**MF** Pulse Jet Valve  
**Y** Type Code  
**50** Orifice  
**S** Double Diaphragms  
**EX** Wiring Form

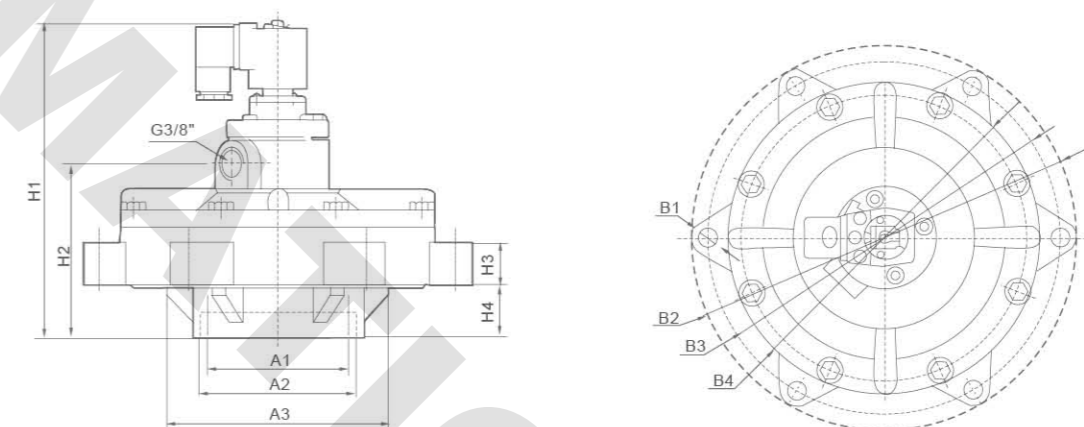
**Speciality**

Adopt international advanced technology  
 Used for dust remover  
 Key parts all made of imported materials  
 Pneumatic control type, solenoid control type, ex-proof solenoid control type for choose  
 Directing mounted to gas bag better blowing effect and small loss of air source.

Specification

Model	XMfY-50S	XMfY-62S	XMfY-76S
Working Pressure	0.3~0.8MPa		
Ambient Temperature	-5~55℃		
Relatively Humidity	< 85%		
Working Medium	Clean Air		
Voltage	AC110V/AC220V/DC24V		
Diaphragm Life Cycles	Over One Million Cycles		
Orifice(mm)	Φ50	Φ62	Φ76
Connection Port	G2"	G2-1/2"	G3"

Overall Dimensions



Dimension Sheet

Model	A1	A2	A3	B1	B2	B3	B4	H1	H2	H3	H4
XMfY-50S	Φ64.5	Φ78.5	Φ118	6-Φ11.5	Φ200	Φ180	Φ159	187	100	25	31
XMfY-62S	Φ80	Φ93.5	Φ145	6-Φ11	Φ226	Φ204	Φ185	197	107	34.5	35
XMfY-76S	Φ90	Φ99	Φ141	6-Φ11	Φ248	Φ227	Φ200	205	113	27	34