

XC6213 Series Diaphragm Type Solenoid Valve



Ordering Code

XC 6213 04 - AC220V

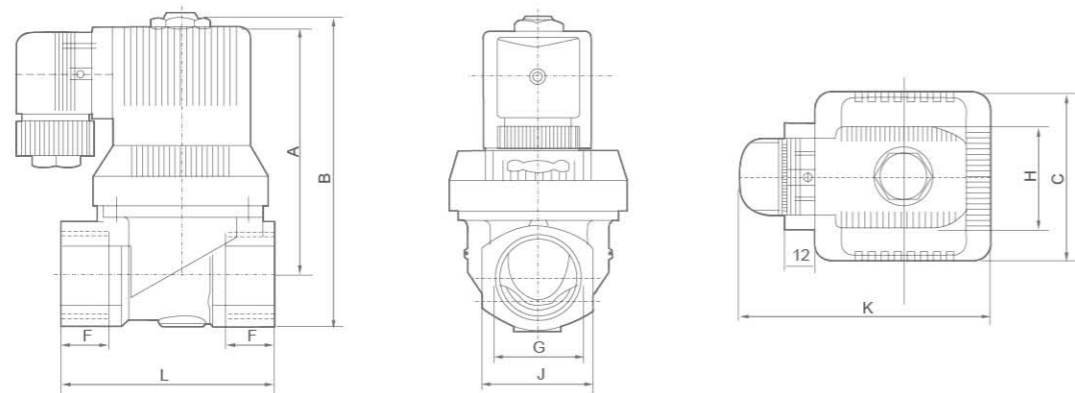
Factory Code	Model	Port Size	Standard Voltage	Wiring Form
	02:G1/4"		DC12V	Blank:Lead Wire Type
	03:G3/8"		DC24V	D:Joint Connector
	04:G1/2"		AC36V 50/60Hz	
	06:G3/4"		AC24V 50/60Hz	
	08:G1"		AC110V 50/60Hz	
			AC220V 50/60Hz	
			AC380V 50/60Hz	



Specification

Model	XC6213-02	XC6213-03	XC6213-04	XC6213-04	XC6213-06	XC6213-06	XC6213-08
Inside Nominal Diameter(mm)	10		14		25		
Port Size	G1/4"	G3/8"	G1/2"	G1/2"	G3/4"	G3/4"	G1"
Working Pressure(MPa)	0.03~1.0						
Environment Temperature(°C)	-10~+55						
Medium Temperature(°C)	-10~+90						
Kv Value(m³/h)	2		3.6	8.3	8.3	11	11
Power AC(VA)	14						
Consumptin DC(W)	8						
Change Frequency(Hz)	≥1			≥0.5			
Power/Voltage	AC: 50Hz 24V,36V,110V,220V, DC:24V,12V						

Overall Dimensions



Dimension Sheet

Model	G	C	F	L	J	A	B	H	K
XC6213-02	G1/4"	38	14	50	26	71	85	35	71
XC6213-03	G3/8"	38	14	50	26	71	85	35	71
XC6213-04	G1/2"	38	14	50	26	71	85	35	71
XC6213-04	G1/2"	45	16	58	31	82	96	35	80
XC6213-06	G3/4"	45	16	58	31	82	96	35	80
XC6213-06	G3/4"	65	18	80.5	41	96	117	35	90
XC6213-08	G1"	65	18	80.5	41	96	117	35	90

2Q Series Air Control Two-Way Valve



Ordering Code

2Q 200 - 25

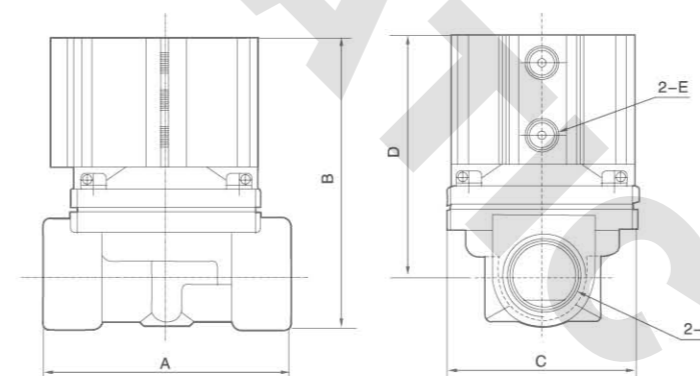
Specification Code	Aperture of Flow Rate	Port Size
2Q:Two-position two-way Air Control valve	160:16mm	15:G1/2"
	200:22mm	20:G3/4"
	250:25mm	25:G1"
	400:40mm	40:G1 1/2"
	500:50mm	50:G2"



Specification

Model	2Q160-15	2Q200-20	2Q250-25	2Q400-40	2Q500-50
Working Medium	Air, Water, Oil, Gas				
Motion Pattern	Direct Drive				
Aperture of Flow Rate(mm)	16	20	25	40	50
CV Value	4.8	12	7.6	29	48
Joint Pipe Bore	G1/2"	G3/4"	G1"	G1-1/2"	G2"
Operation Fluid Viscosity	50 CST(Below)				
Working-pressure Range	0~0.7Mpa				
Max. Pressure Resistance	1.05Mpa				
Control Pressure Range	0.3~0.6Mpa				
Operating Temperature Range	-5~100°C				
Material of Body	Brass				
Material of Oil Seal	PTFE				
Control Joint Pipe Bore	2-M5	2-G1/8"	2-G1/8"	2-G1/4"	2-G1/4"

Overall Dimensions



Dimension Sheet

Model	A	B	C	D	E	F
2Q160-15	67	89	57	75	M5	G1/2"
2Q200-20	99	116	57	95	G1/8"	G3/4"
2Q250-25	99	116	57	95	G1/8"	G1"
2Q350-35	127	123	93	97	G1/4"	G1-1/4"
2Q400-40	123	146	95	116	G1/4"	G1-1/2"
2Q500-50	170	155	118	114	G1/4"	G2"