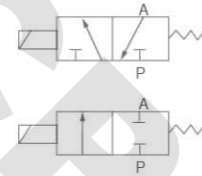


XC22/23 Series Solenoid Valve



Graphic Symbol



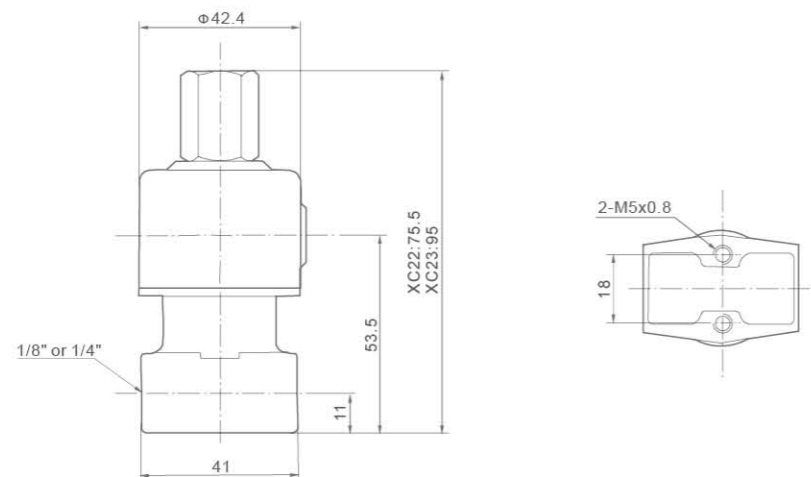
Ordering Code

<b>XC</b>	<b>23</b>	<b>06</b>	<b>AC220V</b>
Factory Code	The Position counting 22:Two position two way 23:Two position three way	Port Size 06:G1/8" 08:G1/4"	Standard Voltage DC12V DC24V AC24V 50/60Hz AC36V 50/60Hz AC110V 50/60Hz AC220V 50/60Hz AC380V 50/60Hz

Specification

Model	XC22-06	XC22-08	XC23-06	XC23-08
Working Medium	Air, Water, Oil			
Aperture of Flow Rate(mm)	1.6	2.4	3.2	4.0
CV Value	0.10	0.21	0.33	0.43
Port size	G1/8"	G1/4"	G1/8"	G1/4"
Working-pressure Range	0~1.5	0~1.0	0~0.7	0~0.5
Voltage Range	±10%			
Material of oil seal	NBR or VITON			

Overall Dimensions



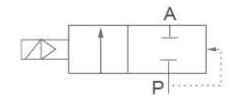
XC5404 Series High Pressure,High Temperature Solenoid Valve



Ordering Code

<b>XC</b>	<b>5404</b>	<b>04</b>	<b>AC220V</b>	<b>□</b>
Factory Code	Model	Port Size 02:G1/4" 04:G1/2" 06:G3/4" 08:G1"	Standard Voltage DC12V DC24V AC24V 50/60Hz AC36V 50/60Hz AC110V 50/60Hz AC220V 50/60Hz AC380V 50/60Hz	Wiring Form Blank:Lead Wire Type D:Joint Connector

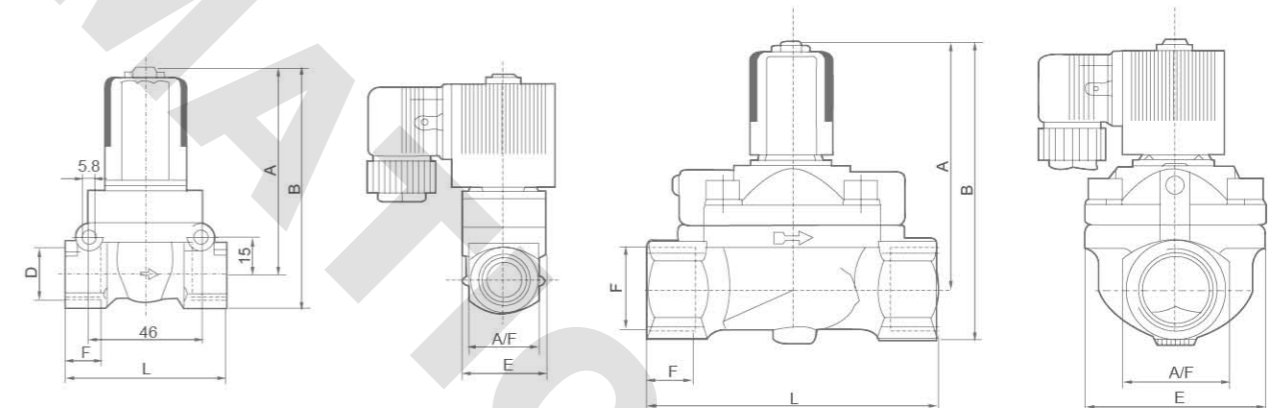
Graphic Symbol



Specification

Model	XC5404-04	XC5404-06	XC5404-08
Working Medium	Air, Water, Oil		
Motion Pattern	Guide Type		
Type	Normal Close Type		
Aperture of Flow Rate(mm)	12	25	25
KV Value	2.0	5.0	10.0
Joint Pipe Bore	G1/2"	G3/4"	G1"
Working-pressure(kgf/cm <sup>2</sup> )	Gas:1~50,Liquid:1~50	Gas:1~40,Liquid:1~25	Gas:1~40, Liquid:1~25
Max. Pressure Resistance(kgf/cm <sup>2</sup> )	75	60	
Operating Temperature Range(°C)	-5~+150°C		
Voltage Range	±10%		
Protect Class	IP65		
Power Consumption	AC:5.5VA DC:9W		
Insulation	F Class		
Material of Body	Brass		
Material of Oil Seal	PTFE		

Overall Dimensions



Dimension Sheet

Model	Bore(mm)	Port	A	B	F	E	L	A/F
XC5404-04	12.0	G1/2"	83.0	98	14	32	63	27
XC5404-06	20.0	G3/4"	99.5	125	16	60	92	40
XC5404-08	25.0	G1"	99.5	125	16	60	92	40