

2P Series 2/2 Solenoid Valve (Plastic Steel Type)



Ordering Code

2P — 025 — 06 — AC220V — □

Specification Code
2P: Two-position Two-way Solenoid Valve (Reinforced plastic steel type)

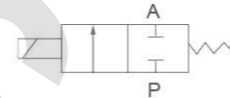
Aperture of Flow Rate
025: 2.5mm

Port Size
06: G1/8"
08: G1/4"

Standard Voltage
DC12V DC24V
AC24V 50Hz/60Hz
AC110V 50Hz/60Hz
AC220V 50Hz/60Hz
AC380V 50Hz/60Hz

Wiring Form
Blank: Lead wire Type
D: Joint Connector

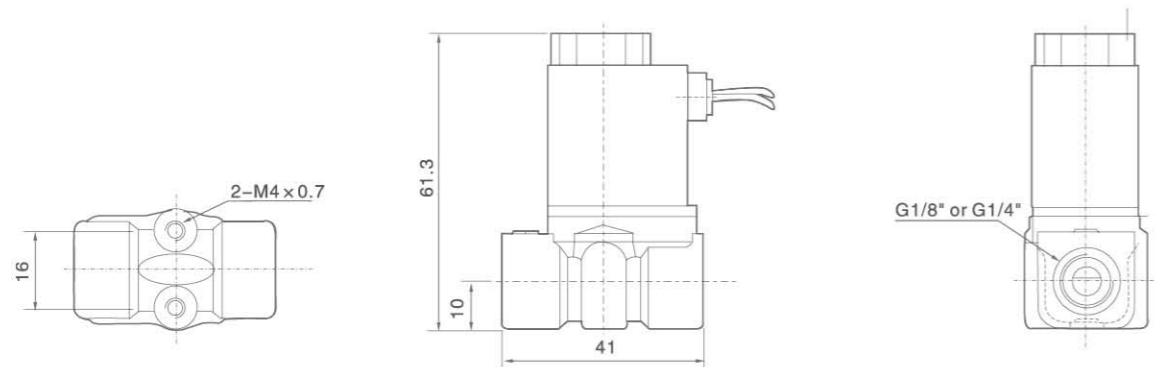
Graphic Symbol



Specification

Model	2V025-06	2V025-08
Working Medium	Air, Water, Oil, Gas	
Motion Pattern	Direct Drive Type	
Type	Normal Close Type	
Aperture of Flow Rate (mm)	2.5	
CV Value	0.23	
Port Size	G1/8"	G1/4"
Operation Fluid Viscosity	20 CST (Below)	
Working-pressure	0~0.7MPa	
Max. Pressure Resistance	1.0MPa	
Operating Temperature Range	-5~+80°C	
Voltage Range	±10%	
Material of Body	Engineering Plastic Steel	
Material of Oil Seal	NBR EPDM or VITON	

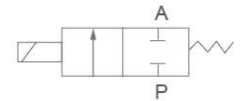
Overall Dimensions



2W(UD) Series 2/2 Direct Drive Type Solenoid Valve (Small Aperture)



Graphic Symbol



Ordering Code

2W — 025 — 08 — F — AC220V — □

Specification Code
2W: Two-position Two-way solenoid valve direct drive type
2WH: Two-position Two-way solenoid valve (High pressure direct drive Type)

Aperture of Flow Rate
012: 1.2mm
020: 2.0mm
025: 2.5mm
040: 4.0mm

Port Size
08: G1/8"
08: G1/4"
10: G3/8"

Initial Estate
Blank: Pipe Joint Type
F: Flange Type

Standard Voltage
DC12V DC24V
AC24V 50Hz/60Hz
AC36V 50Hz/60Hz
AC110V 50Hz/60Hz
AC220V 50Hz/60Hz
AC380V 50Hz/60Hz

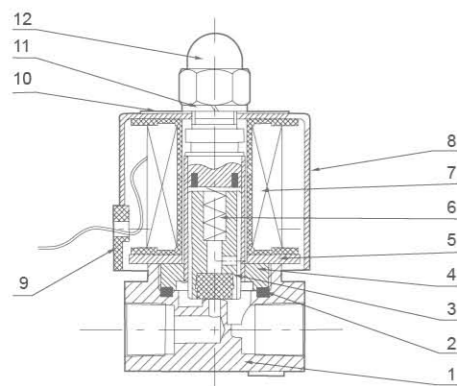
Wiring Form
Blank: Lead Wire Type
D: Joint Connector
E: Blast-proof Coil
G: Water-proof Coil

Specification

Model	2W025-06	2W025-08	2W040-10	2WH012-06	2WH012-08	2WH020-10
Working Medium	Air, Water, Oil, Gas					
Motion Pattern	Direct Drive Type					
Type	Normal Close Type					
Aperture of Flow Rate (mm)	2.5	4	1.2	2		
CV Value	0.23	0.60	0.05	0.15		
Port Size	G1/8"	G1/4"	G3/8"	G1/8"	G1/4"	G3/8"
Operation Fluid Viscosity	20 CST (Below)					
Working-pressure	Air, Water, Oil, Gas: 0~0.7MPa			Air, Water, Oil: 0~2.0MPa		
Max. Pressure Resistance	1.0			3.5		
Operating Temperature Range	-5~+80°C					
Voltage Range	±10%					
Material of Body	Brass					
Material of Oil Seal	NBR EPDM or VITON					

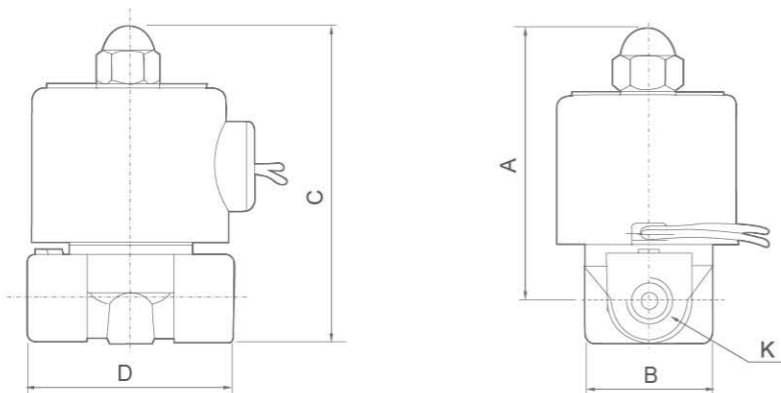
2W(UD) Aperture 2/2 Direct Drive Type Solenoid Valve(Small Aperture)

Internal structure



No	Name
1	Body Of Valve
2	O-ring
3	Assembly Of Iron Core
4	Assembly Of Iron Core
5	Magnetic Plate
6	Spring
7	Assembly Of Coil
8	Iron Cover
9	Cord-locks
10	Name Plate
11	Gasket
12	Head Cover Nut

Overall Dimensions



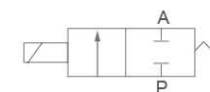
Dimension Sheet

Symbol/Model	A	B	C	D	K(PT)
2W025-06	66	30.3	75	41.5	G1/8"
2W025-08	66	30.3	75	41.5	G1/4"
2W040-10	74	32.2	85.5	53	G3/8"
2WH012-06	66	30.3	75	40.5	G1/8"
2WH012-08	66	30.3	75	40.5	G1/4"
2WH020-10	74	32.3	85.5	53	G3/8"

2W(UW) Series 2/2 Direct Drive Type Solenoid Valve(Large Aperture)



Graphic Symbol



Ordering Code

2W	160	15	F	AC220V	
Specification Code 2W:Two-position two-way solenoid valve (direct drive type)	Aperture of Flow Rate 160:16mm 200:20mm 250:25mm 350:35mm 500:50mm	Port Size 10:G3/8" 15:G1/2" 20:G3/4" 25:G1" 35:G1 1/4" 40:G1 1/2" 50:G2"	Initial Estate Blank:Pipe Jiont Type F: Flange Type	Standard Voltage DC12V DC24V AC24V 50Hz/60Hz AC36V 50Hz/60Hz AC110V 50Hz/60Hz AC220V 50Hz/60Hz AC380V 50Hz/60Hz	Wiring Form Blank:Lead Wire Type D: Joint Connector

Specification

Model	2W160-10	2W160-15	2W200-20	2W250-25	2W350-35	2W400-40	2W500-50
Working Medium	Air,Water,Oil,gas						
Motion Pattern	Direct Drive Type						
Type	Normal Close Type						
Aperture of Flow Rate(mm)	16	20	25	35	40	50	
CV Value	4.8	7.6	12	24	29	48	
Port Size	G3/8"	G1/2"	G3/4"	G1"	G1 1/4"	G1 1/2"	G2"
Operation Fluid Viscosity	20 CST (Below)						
Working-pressure	Air:0~0.7MPa Water:0~0.5MPa Oil:0~0.5MPa Gas: 0~0.7MPa						
Max. Pressure Resistance	1.0MPa						
Operating Temperature Range	-5~+80℃						
Voltage Range	±10%						
Material of Body	Brass						
Material of Oil Seal	NBR EPDM or VITON						