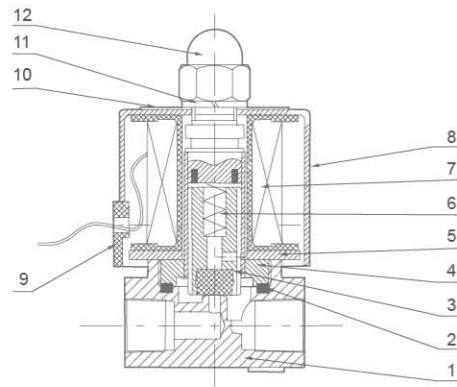


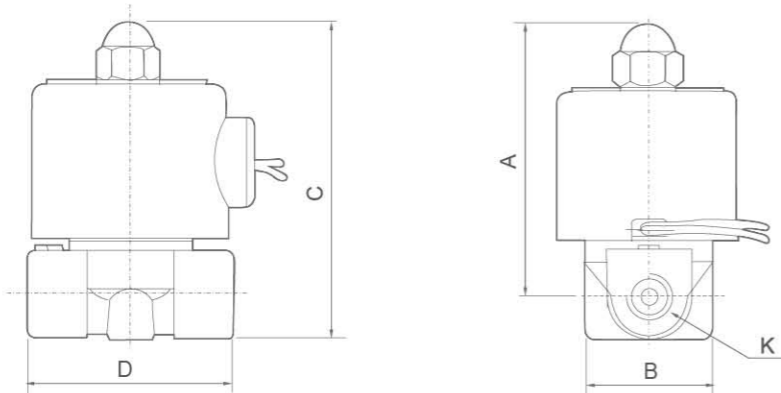
2W(UD) Aperture 2/2 Direct Drive Type Solenoid Valve(Small Aperture)

Internal structure



No	Name
1	Body Of Valve
2	O-ring
3	Assembly Of Iron Core
4	Assembly Of Iron Core
5	Magnetic Plate
6	Spring
7	Assembly Of Coil
8	Iron Cover
9	Cord-locks
10	Name Plate
11	Gasket
12	Head Cover Nut

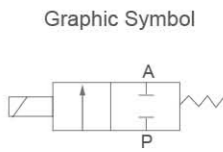
Overall Dimensions



Dimension Sheet

Symbol/Model	A	B	C	D	K(PT)
2W025-06	66	30.3	75	41.5	G1/8"
2W025-08	66	30.3	75	41.5	G1/4"
2W040-10	74	32.2	85.5	53	G3/8"
2WH012-06	66	30.3	75	40.5	G1/8"
2WH012-08	66	30.3	75	40.5	G1/4"
2WH020-10	74	32.3	85.5	53	G3/8"

2W(UW) Series 2/2 Direct Drive Type Solenoid Valve(Large Aperture)



Ordering Code

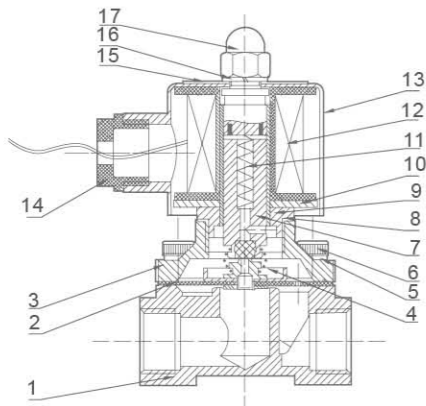
2W	160	15	F	AC220V	
Specification Code 2W:Two-position two-way solenoid valve (direct drive type)	Aperture of Flow Rate 160:16mm 200:20mm 250:25mm 350:35mm 500:50mm	Port Size 10:G3/8" 15:G1/2" 20:G3/4" 25:G1" 35:G1 1/4" 40:G1 1/2" 50:G2"	Initial Estate Blank:Pipe Jiont Type F: Flange Type	Standard Voltage DC12V DC24V AC24V 50Hz/60Hz AC36V 50Hz/60Hz AC110V 50Hz/60Hz AC220V 50Hz/60Hz AC380V 50Hz/60Hz	Wiring Form Blank:Lead Wire Type D: Joint Connector

Specification

Model	2W160-10	2W160-15	2W200-20	2W250-25	2W350-35	2W400-40	2W500-50
Working Medium	Air,Water,Oil,gas						
Motion Pattern	Direct Drive Type						
Type	Normal Close Type						
Aperture of Flow Rate(mm)	16	20	25	35	40	50	
CV Value	4.8	7.6	12	24	29	48	
Port Size	G3/8"	G1/2"	G3/4"	G1"	G1 1/4"	G1 1/2"	G2"
Operation Fluid Viscosity	20 CST (Below)						
Working-pressure	Air:0~0.7MPa Water:0~0.5MPa Oil:0~0.5MPa Gas: 0~0.7MPa						
Max. Pressure Resistance	1.0MPa						
Operating Temperature Range	-5~+80℃						
Voltage Range	±10%						
Material of Body	Brass						
Material of Oil Seal	NBR EPDM or VITON						

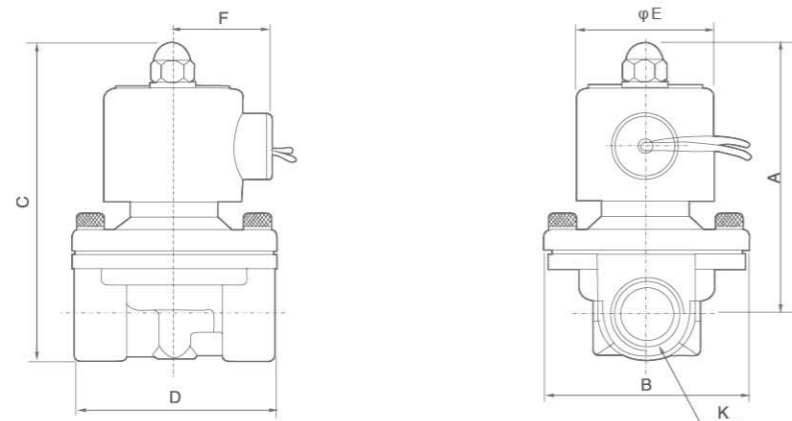
2W(UW) Series 2/2 Direct Drive Type Solenoid Valve(Large Aperture)

Internal structure



NO	Name	NO	Name
1	Body Of Valve	10	Magnetic Plate
2	Assembly Of Diaphragm	11	Spring
3	Valve Cover	12	Assembly Of Coil
4	Pull Spring	13	Iron Cover
5	Gasket	14	Cord-locks
6	Socket Hexagon Screws	15	Name Plate
7	Assembly Of Iron Core	16	Gasket
8	Seal Gasket	17	Head Cover Nut
9	Assembly Of Iron Core		

Overall Dimensions



2W(Large Aperture)

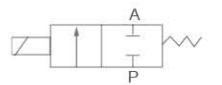
Dimension Sheet

Model	A	B	C	D	E	F	K
2W160-10	101.5	57	117	67	50	36	G3/8"
2W160-15	101.5	57	117	67	50	36	G1/2"
2W200-20	107	57	123.5	72	50	36	G3/4"
2W250-25	111.5	73.5	134.5	92	50	36	G1"
2W350-35	142	95	172	125	70.5	56	G1 1/4"
2W400-40	142	95	172	125	70.5	56	G1 1/2"
2W500-50	172	123	209	168	70.5	56	G2"

2S Series Stainless Steel Solenoid Valve



Graphic Symbol



Ordering Code

2S

025

08

F

AC220V

□

Specification Code

2S:Two-position two-way solenoid valve (Stainless steel direct drive type)

Aperture of Flow Rate

025:2.5mm
040:4.0mm
160:16mm
200:20mm
250:25mm
350:35mm
400:40mm
500:50mm

Port Size

08:G1/4"
10:G3/8"
15:G1/2"
20:G3/4"
25:G1"
35:G1 1/4"
40:G1 1/2"
50:G2"

Initial Estate

Blank:Pipe Jiont type
F: Flange Type

Standard Voltage

DC12V DC24V
AC24V 50Hz/60Hz
AC36V 50Hz/60Hz
AC110V 50Hz/60Hz
AC220V 50Hz/60Hz
AC380V 50Hz/60Hz

Wiring Form

Blank:Lead Wire Type
D:Joint Connector
E:Blast-proof Coil
G:Water-proof Coil

Specification

Model	2S025-06(08)	2S040-10	2S160-10(15)	2S200-20	2S250-25	2S350-35(40)	2S500-50
Working Medium	Air,Water,Oil,Gas						
Motion Pattern	Direct Drive Type						
Type	Normal Close Type						
Aperture of Flow Rate(mm)	2.5	5	16	20	35	40	50
CV Value	0.23	0.60	4.8	7.6	24	29	48
Port Size	G1/8" G1/4"	G3/8"	G3/8" G1/2"	G3/4"	G1"	G1 1/4" G1 1/2"	G2"
Operation Fluid Viscosity	20 CST (Below)						
Working-pressure	Air:0~0.7MPa Water:0~0.5MPa, Air:0~0.7MPa, Oil:0~0.5MPa, Gas:0~0.7MPa						
Max. Pressure Resistance	1.05MPa						
Operating Temperature Range	-5~+80°C						
Voltage Range	±10%						
Material of Body	Stainless steel						
Material of Oil Seal	NBR EPDM or VITON						

Note:2S Series Solenoid Valve's Oevrrall Dimension, Flow Chart and Inner Structure all Same as 2W Series.