

### 2P Series 2/2 Solenoid Valve (Plastic Steel Type)



Ordering Code

2P — 025 — 06 — AC220V — □

**Specification Code**  
2P: Two-position Two-way Solenoid Valve (Reinforced plastic steel type)

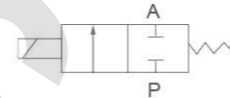
**Aperture of Flow Rate**  
025: 2.5mm

**Port Size**  
06: G1/8"  
08: G1/4"

**Standard Voltage**  
DC12V DC24V  
AC24V 50Hz/60Hz  
AC110V 50Hz/60Hz  
AC220V 50Hz/60Hz  
AC380V 50Hz/60Hz

**Wiring Form**  
Blank: Lead wire Type  
D: Joint Connector

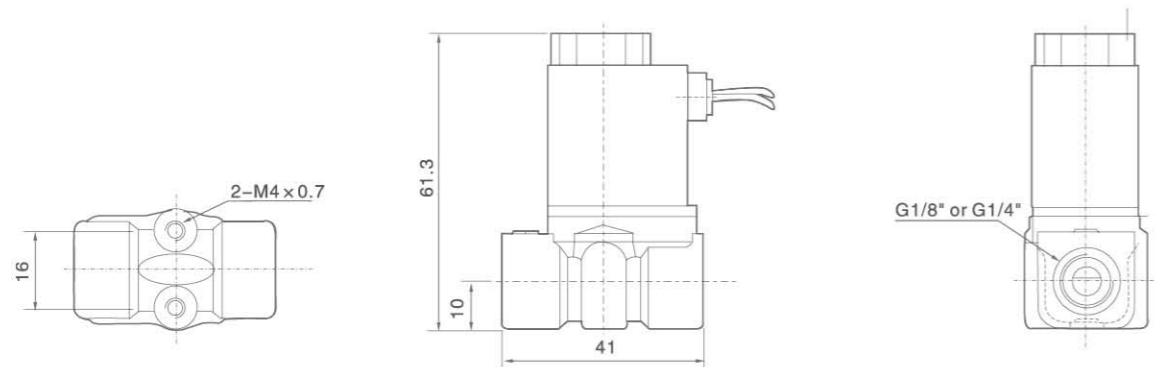
Graphic Symbol



Specification

Model	2V025-06	2V025-08
Working Medium	Air, Water, Oil, Gas	
Motion Pattern	Direct Drive Type	
Type	Normal Close Type	
Aperture of Flow Rate (mm)	2.5	
CV Value	0.23	
Port Size	G1/8"	G1/4"
Operation Fluid Viscosity	20 CST (Below)	
Working-pressure	0~0.7MPa	
Max. Pressure Resistance	1.0MPa	
Operating Temperature Range	-5~+80°C	
Voltage Range	±10%	
Material of Body	Engineering Plastic Steel	
Material of Oil Seal	NBR EPDM or VITON	

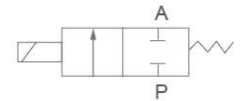
Overall Dimensions



### 2W(UD) Series 2/2 Direct Drive Type Solenoid Valve (Small Aperture)



Graphic Symbol



Ordering Code

2W — 025 — 08 — F — AC220V — □

**Specification Code**  
2W: Two-position Two-way solenoid valve direct drive type  
2WH: Two-position Two-way solenoid valve (High pressure direct drive Type)

**Aperture of Flow Rate**  
012: 1.2mm  
020: 2.0mm  
025: 2.5mm  
040: 4.0mm

**Port Size**  
08: G1/8"  
08: G1/4"  
10: G3/8"

**Initial Estate**  
Blank: Pipe Joint Type  
F: Flange Type

**Standard Voltage**  
DC12V DC24V  
AC24V 50Hz/60Hz  
AC36V 50Hz/60Hz  
AC110V 50Hz/60Hz  
AC220V 50Hz/60Hz  
AC380V 50Hz/60Hz

**Wiring Form**  
Blank: Lead Wire Type  
D: Joint Connector  
E: Blast-proof Coil  
G: Water-proof Coil

Specification

Model	2W025-06	2W025-08	2W040-10	2WH012-06	2WH012-08	2WH020-10
Working Medium	Air, Water, Oil, Gas					
Motion Pattern	Direct Drive Type					
Type	Normal Close Type					
Aperture of Flow Rate (mm)	2.5	4	1.2	2		
CV Value	0.23	0.60	0.05	0.15		
Port Size	G1/8"	G1/4"	G3/8"	G1/8"	G1/4"	G3/8"
Operation Fluid Viscosity	20 CST (Below)					
Working-pressure	Air, Water, Oil, Gas: 0~0.7MPa			Air, Water, Oil: 0~2.0MPa		
Max. Pressure Resistance	1.0			3.5		
Operating Temperature Range	-5~+80°C					
Voltage Range	±10%					
Material of Body	Brass					
Material of Oil Seal	NBR EPDM or VITON					