

2V Series 2/2 Solenoid Valve



Ordering Code

2V	025	06	AC220V	V
Specification Code 2V:Two-positionTwo-way Solenoid Valve	Aperture of Flow Rate 025:2.5mm 130:13mm 250:25mm	Port Size 06:G1/8" 08:G1/4" 10:G3/8" 15:G1/2" 20:G3/4" 25:G1"	Standard Voltage DC12V DC24V AC24V 50Hz/60Hz AC110V 50Hz/60Hz AC220V 50Hz/60Hz AC380V 50Hz/60Hz	Oil Seal Code Blank:NBR V:VITON(For High temperature)

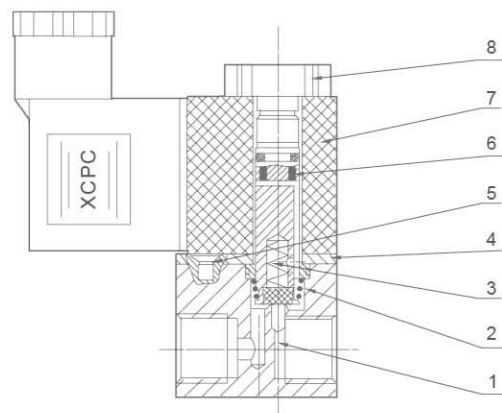
Graphic Symbol



Specification

Model	2V025-06	2V025-08	2V130-10	2V130-15	2V250-20	2V250-25
Working Medium	Air,Water,Oil					
Motion Pattern	Direct Drive Type			Guide Type		
Type	Normal Close Type					
Aperture of Flow Rate(mm)	2.5		13		25	
CV Value	0.23		6.2		23	
Port Size	G1/8"	G1/4"	G3/8"	G1/2"	G3/4"	G1"
Operation Fluid Viscosity	20 CST (Below)					
Working-pressure	Air,Water,Oil 0~0.8MPa			Air,Water,Oil 0.05~0.7MPa		
Max. Pressure Resistance	12kgf/cm ²			10.5kgf/cm ²		
Operating Temperature Range	-10~+80°C					
Voltage Range	±10%					
Protect Class	IP65					
Power Consumption	AC:7VA860Hz PC:6W					
Insulation	F Class					
Material of Body	Aluminum or Brass			Brass		
Material of Oil Seal	NBR or VITON			NBR		
Shortest Excitation Time	0.05 Second					

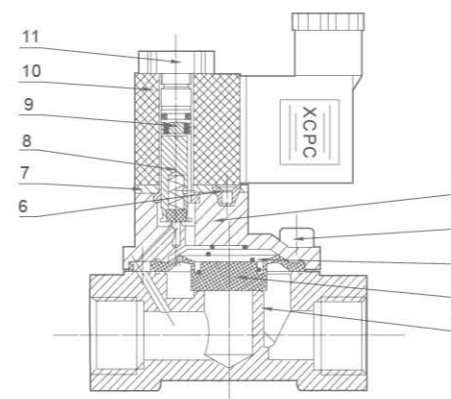
Internal structure



No	Name
1	Body Of Valve
2	Spring
3	Assembly Of Iron Core
4	Assembly Of Iron Core
5	Cruciform Slot Screw
6	Platen
7	Coil
8	Nut

2V Series 2/2 Solenoid Valve

Internal structure



No	Name
1	Body Of Valve
2	Diaphragm
3	Spring
4	Socket Hexagon Screws
5	Cover board
6	Cruciform Slot Screw
7	Platen
8	Assembly Of Iron Core
9	Assembly Of Iron Core
10	Coil
11	Nut

Overall Dimensions

