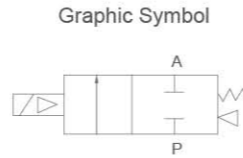


THP Series 2/2 Solenoid Valve(Normal Close)



Ordering Code

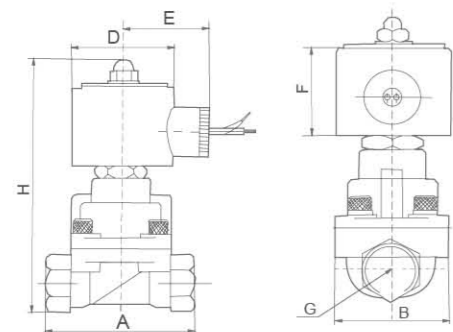
|                   |  |   |  |  |  |   |   |
|-------------------|--|---|--|--|--|---|---|
| <b>THP</b>        | <b>06</b>  | <b>E2</b>   |  | <b>2.5L</b>  | <b>S2</b>  |   |   |
| <b>THP Series</b> | <b>Port Size</b><br>06: G1/8" 08: G1/4"<br>10: G3/8" 15: G1/2"<br>20: G3/4" 25: G1"<br>35: G1-1/4"<br>40: G1-1/2"<br>50: G2"<br>25F: 1" Flange<br>35F: 1-1/4" Flange<br>40F: 1-1/2" Flange<br>50F: 2" Flange | <b>Voltage</b><br>E1: AC110V<br>E2: AC220V<br>E3: AC380V<br>E4: DC24V<br>E5: DC12V<br>E6: AC36V<br>E7: AC24V<br>E8: DC110V<br>E9: DC48V<br>E10: DC36V | <b>Seal Material</b><br>T: Teflon<br>V: VITON(N,V,E orificesΦ5.5mm optional) | <b>Orifice(mm)</b><br>2.5L: 2.5<br>4.5L: 4.5<br>15L: 15.0<br>20L: 20.0<br>25L: 25.0<br>35L: 35.0<br>40L: 40.0<br>50L: 50.0<br><i>Cancel if same with port size</i> | <b>Body material</b><br>Blank: Brass<br>S1: SS316<br>S2: SS304 | <b>Control style</b><br>Blank: Normal close<br>H: Normal open | <b>Coil type</b><br>Blank: DIN connector<br>F: Flying leads |

- THP series, 2 port, 2 position, 1/8" port size, AC110V, NBR Seal, Orifice: 2.5mm, Brass valve body, normal close, DIN coil, model: THP06E1-2.5L
- THP series, 2 port, 2 position, 3/8" port size, AC220V, teflon Seal, Orifice: 15mm, SS304 valve body, normal open, flying leads coil, model: THP10TE2-15LS2HF

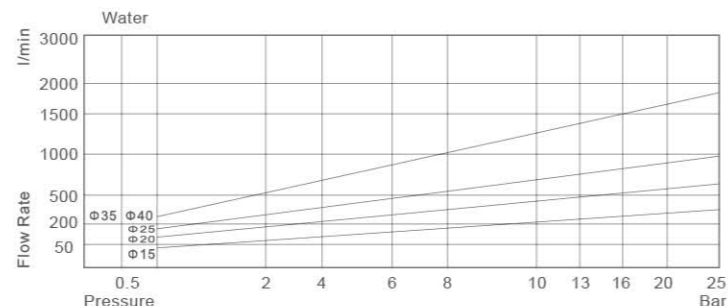
Product Features

- Normal Close, available body: brass, SS304, SS316
- Multiple seals are available for different medium
- Wide size range from 1/8" to 2"
- DIN style / flying leads coil, thread / flange connection
- Piston pilot solenoid valve with high working pressure and temperature

Overall Dimensions



Flow Chart



THP Series 2/2 Solenoid Valve(Normal Close)

Specification

| Port size (G)  | Orifice (mm) | CV value | Min. pressure | Pressure difference (Bar) |    |     |    |                          |    |                  | Max. temperature (°C) | Power  |        | Model        |               | Overall dimension<br>Length × Width × Height<br>A × B × H (mm) |    |
|----------------|--------------|----------|---------------|---------------------------|----|-----|----|--------------------------|----|------------------|-----------------------|--------|--------|--------------|---------------|--|----|
|                |              |          |               | Air                       |    | Gas |    | Water, Hot water, Liquid |    | Light oil ≤20CST |                       | AC 220 | DC 24V | 220VAC       | 50/60Hz       |  |    |
|                |              |          |               | AC                        | DC | AC  | DC | AC                       | DC | AC               |                       |        |        |              |               |  | DC |
| G1/8"          | 2.5          | 0.23     | 0             | 8                         | 8  | 8   | 8  | 6                        | 6  | 10               | 180                   | 22     | 13     | THP06T-2.5L  | -             | 48×25×85.5   |    |
|                | 2.5          | 0.23     | 0             | 13                        | 13 | 13  | 13 | 7                        | 7  | 10               | 110                   | 22     | 13     | THP06V-2.5L  | -             | 48×25×85.5   |    |
|                | 4.5          | 0.6      | 0             | 7                         | 4  | 7   | 4  | 4                        | 4  | 7                | 165                   | 22     | 13     | THP06T-4.5L  | -             | 58×25×85.5   |    |
|                | 4.5          | 0.6      | 0             | 7                         | 4  | 7   | 4  | 4                        | 4  | 7                | 110                   | 22     | 13     | THP06V-4.5L  | -             | 58×25×85.5   |    |
| G1/4"          | 2.5          | 0.23     | 0             | 7                         | 4  | 7   | 4  | 4                        | 4  | 10               | 180                   | 22     | 13     | THP08T2-2.5L | -             | 48×25×85.5   |    |
|                | 2.5          | 0.23     | 0             | 13                        | 13 | 13  | 4  | 7                        | 7  | 10               | 110                   | 22     | 13     | THP08V-2.5L  | -             | 48×25×85.5   |    |
|                | 4.5          | 0.6      | 0             | 7                         | 4  | 7   | 4  | 4                        | 4  | 7                | 165                   | 22     | 13     | THP08T-4.5L  | -             | 58×25×85.5   |    |
|                | 4.5          | 0.6      | 0             | 7                         | 4  | 7   | 4  | 4                        | 4  | 7                | 110                   | 22     | 13     | THP08V-4.5L  | -             | 58×25×85.5   |    |
| G3/8"          | 15           | 4.5      | 0.5           | 25                        | 20 | 25  | 20 | 20                       | 20 |                  | 110                   | 33     | 32     | THP10T-15L   | THP10T-15LS2  | 75×52×129  |    |
|                | 15           | 4.5      | 0.5           | 25                        | 20 | 25  | 20 | 20                       | 20 | 10               | 185                   | 30     | 25     | THP10T-15LF  | THP10T-15LS2F | 75×52×129  |    |
| G1/2"          | 15           | 4.5      | 0.5           | 25                        | 20 | 25  | 20 | 20                       | 20 |                  | 110                   | 33     | 32     | THP-15T      | THP-15TS2     | 75×52×129  |    |
|                | 15           | 4.5      | 0.5           | 25                        | 20 | 25  | 20 | 20                       | 20 | 10               | 185                   | 30     | 25     | THP-15TF     | THP-15TS2F    | 75×52×129  |    |
| G3/4"          | 20           | 9.0      | 0.5           | 25                        | 20 | 25  | 20 | 20                       | 20 |                  | 110                   | 33     | 32     | THP-20T      | THP-20TS2     | 85×60×141  |    |
|                | 20           | 9.0      | 0.5           | 25                        | 20 | 25  | 20 | 20                       | 20 | 10               | 185                   | 30     | 25     | THP-20TF     | THP-20TS2F    | 85×60×141  |    |
| G1"            | 25           | 13       | 0.5           | 25                        | 20 | 25  | 20 | 20                       | 20 |                  | 110                   | 33     | 32     | THP-25T      | THP-25TS2     | 100×70×148   |    |
|                | 25           | 13       | 0.5           | 25                        | 20 | 25  | 20 | 20                       | 20 | 10               | 185                   | 30     | 25     | THP-25TF     | THP-25TS2F    | 100×70×148   |    |
| G1-1/4"        | 35           | 26       | 0.5           | 25                        | 20 | 25  | 20 | 20                       | 20 | 10               | 110                   | 33     | 32     | THP-35T      | THP-35TS2     | 120×90×168   |    |
|                | 35           | 26       | 0.5           | 25                        | 20 | 25  | 20 | 20                       | 20 |                  | 185                   | 30     | 25     | THP-35TF     | THP-35TS2F    | 120×90×168   |    |
| G1-1/2"        | 35           | 26       | 0.5           | 25                        | 20 | 25  | 20 | 20                       | 20 | 10               | 110                   | 33     | 32     | THP40T-35L   | THP40T-35LS2  | 120×90×168   |    |
|                | 35           | 26       | 0.5           | 25                        | 20 | 25  | 20 | 20                       | 20 |                  | 185                   | 30     | 25     | THP40T-35LF  | THP40T-35LS2F | 120×90×168   |    |
| G2"            | 50           | 48       | 0.5           | 25                        | 20 | 25  | 20 | 20                       | 20 |                  | 110                   | 33     | 32     | -            | THP-50TS2     | 150×110×190  |    |
|                | 50           | 48       | 0.5           | 25                        | 20 | 25  | 20 | 20                       | 20 | 10               | 185                   | 30     | 25     | -            | THP-50TS2F    | 150×110×190  |    |
| G1" Flange     | 25           | 13       | 0.5           | 25                        | 20 | 25  | 20 | 20                       | 20 |                  | 110                   | 33     | 32     | -            | THPPFT-25LS2  | 134×110×185  |    |
|                | 25           | 13       | 0.5           | 25                        | 20 | 25  | 20 | 20                       | 20 | 10               | 185                   | 30     | 25     | -            | THPPFT-25LS2F | 134×110×185  |    |
| G1-1/4" Flange | 35           | 26       | 0.5           | 25                        | 20 | 25  | 20 | 20                       | 20 |                  | 110                   | 33     | 32     | -            | THPPFT-35LS2  | 160×135×200  |    |
|                | 35           | 26       | 0.5           | 25                        | 20 | 25  | 20 | 20                       | 20 | 10               | 185                   | 30     | 25     | -            | THPPFT-35LS2F | 160×135×200  |    |
| G1-1/2" Flange | 35           | 26       | 0.5           | 25                        | 20 | 25  | 20 | 20                       | 20 |                  | 110                   | 33     | 32     | -            | THPPFT-40LS2  | 160×145×205  |    |
|                | 35           | 26       | 0.5           | 25                        | 20 | 25  | 20 | 20                       | 20 | 10               | 185                   | 30     | 25     | -            | THPPFT-40LS2F | 160×145×205  |    |
| G2" Flange     | 50           | 45       | 0.5           | 25                        | 20 | 25  | 20 | 20                       | 20 | 10               | 110                   | 33     | 32     | -            | THPPFT-50LS2  | 200×155×250  |    |
|                | 50           | 45       | 0.5           | 25                        | 20 | 25  | 20 | 20                       | 20 |                  | 185                   | 30     | 25     | -            | THPPFT-50LS2F | 200×155×250  |    |