

**SLP Series 2/2 Solenoid Valve(Normal Close)**



Ordering Code

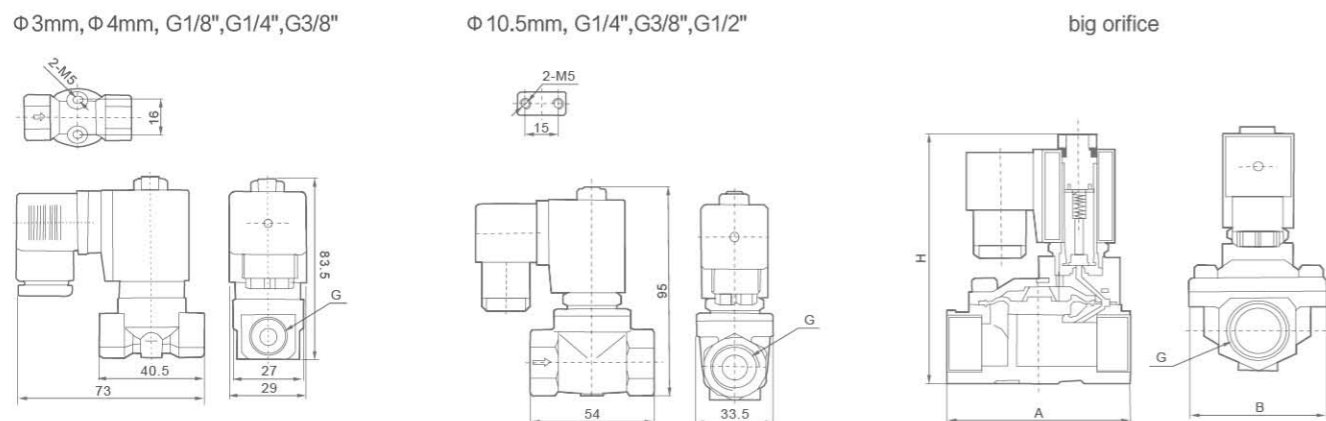
<b>SLP</b>	<b>06</b>		<b>E2</b>	<b>3L</b>	<b>S1</b>	<b>H</b>
<b>SLP Series</b>	<b>Port Size</b>	<b>Seal Material</b>	<b>Voltage</b>	<b>Orifice(mm)</b>	<b>Body material</b>	<b>Control style</b>
	06: G1/8" 08: G1/4" 10: G3/8" 15: G1/2" 20: G3/4" 25: G1" 35: G1-1/4" 40: G1-1/2" 50: G2" F: Flange	Blank: NBR V: VITON E: EPDM	E1: AC110V E2: AC220V E3: AC380V E4: DC24V E5: DC12V E6: AC36V E7: AC24V E8: DC110V E9: DC48V E10: DC36V	1L: 1.0 1.5L: 1.5 2.5L: 2.5 3L: 3.0 4L: 4.0 5L: 5.0 6L: 6.0 10L: 10.0 10.5L: 10.5 13L: 13.0 20L: 20.0 25L: 25.0 35L: 35.0 40L: 40.0 50L: 50.0	Blank: Brass S1: SS316	Blank: Normal close H: Normal open

- SLP series, 2 port, 2 position, 1/8" port size, NBR Seal, AC110V, Orifice: 3mm, Brass valve body, normal close, model: SLP06E1-3L
- SLP series, 2 port, 2 position, 3/8" port size, VITON Seal, AC220V, Orifice: 13mm, SS316 valve body, normal open, model: SLP10VE2-13LS1H

Product Features

- Normal Close, available body: brass, SS316.
- Multiple seals are available for different medium.
- Wide size range from 1/8" to 2" with both thread and flange connection.
- Diaphragm pilot solenoid valve, with lower working pressure.

Overall Dimensions



**SLP Series 2/2 Solenoid Valve(Normal Close)**

Specification

Port size (G)	Orifice (mm)	CV value	Pressure difference(Bar)					Max. temperature (°C)	Power		Model		Overall dimension Length × Width × Height A × B × H (mm)
			Min. pressure	Max. working pressure			AC 220		DC 24V	220VAC	50/60Hz		
				Air	Gas	Water, Hot water, Liquid						Light oil ≤20CST	
1/8"	3	0.23	0	13	13	10	80	22	13	SLP06E2-3L	SLP06E2-3LS1		
	3	0.23	0	13	13	-	130	22	13	SLP06EE2-3L	SLP06EE2-3LS1		
1/4"	3	0.23	0	13	13	10	80	22	13	SLP08E2-3L	SLP08E2-3LS1		
	3	0.23	0	13	13	-	130	22	13	SLP08EE2-3L	SLP08EE2-3LS1		
	10.5	1.47	0	10	10	10	80	22	13	SLP08E2-10.5L	-		
	10.5	1.47	0	10	10	-	130	22	13	SLP08EE2-10.5L	-		
	10.5	1.47	0	10	10	10	120	22	13	SLP08VE2-10.5L	-		
	10.5	1.47	0	10	10	-	130	22	13	SLP08VE2-10.5L	-		
3/8"	3	0.3	0	13	13	10	80	22	13	SLP10E2-3L	SLP10E2-3LS1		
	3	0.3	0	13	13	10	130	22	13	SLP10EE2-3L	SLP10EE2-3LS1		
	3	0.3	0	13	13	10	120	22	13	SLP10VE2-3L	SLP10VE2-3LS1		
	4	0.6	0	8	8	6	80	22	13	SLP10E2-4L	SLP10E2-4LS1		
	4	0.6	0	8	8	6	130	22	13	SLP10EE2-4L	SLP10EE2-4LS1		
	4	0.6	0	8	8	6	120	22	13	SLP10VE2-4L	SLP10VE2-4LS1		
	10.5	1.68	0	10	10	10	80	22	13	SLP10E2-10.5L	-		
	10.5	1.68	0	10	10	-	130	22	13	SLP10EE2-10.5L	-		
	10.5	1.68	0	10	10	10	120	22	13	SLP10VE2-10.5L	-		
	13	4.5	0.5	16	16	13	80	22	13	SLP10E2-13L	SLP10E2-13LS1		
1/2"	13	4.5	0.5	16	16	-	130	22	13	SLP10EE2-13L	SLP10EE2-13LS1		
	13	4.5	0.5	16	16	13	120	22	13	SLP10VE2-13L	SLP10VE2-13LS1		
	10.5	1.75	0	10	10	10	80	22	13	SLP15E2-10.5L	-	66×48×112	
	10.5	1.75	0	10	10	-	130	22	13	SLP15EE2-10.5L	-	66×48×112	
	10.5	1.75	0	10	10	10	120	22	13	SLP15VE2-10.5L	-	66×48×112	
	13	4.5	0.5	16	16	13	80	22	13	SLP15E2-13L	SLP15E2-13LS1	66×48×112	
	13	4.5	0.5	16	16	-	130	22	13	SLP15EE2-13L	SLP15EE2-13LS1	66×48×112	
	13	4.5	0.5	16	16	13	120	22	13	SLP15VE2-13L	SLP15VE2-13LS1	66×48×112	
	20	7.6	0.5	16	16	13	80	22	13	SLP-20E2	SLP-20E2S1	75×58×118	
	20	7.6	0.5	16	16	13	120	22	13	SLP-20VE2	SLP-20VE2S1	75×58×118	
3/4"	25	12	0.5	16	16	13	80	22	13	SLP-25E2	SLP-25E2S1	96×70×131	
	25	12	0.5	16	16	13	130	22	13	SLP-25EE2	SLP-25EE2S1	96×70×131	
1"	25	12	0.5	16	16	13	120	22	13	SLP-25VE2	SLP-25VE2S1	96×70×131	
	35	22	0.5	16	16	13	80	22	13	SLP-35E2	SLP-35E2S1	131×96×146	
1-1/4"	35	22	0.5	16	16	13	130	22	13	SLP-35EE2	SLP-35EE2S1	131×96×146	
	35	22	0.5	16	16	13	120	22	13	SLP-35VE2	SLP-35VE2S1	131×96×146	
1-1/2"	40	30	0.5	16	16	13	80	22	13	SLP-40E2	SLP-40E2S1	131×96×146	
	40	30	0.5	16	16	13	130	22	13	SLP-40EE2	SLP-40EE2S1	131×96×146	
2"	40	30	0.5	16	16	13	120	22	13	SLP-40VE2	SLP-40VE2S1	131×96×146	
	50	48	0.5	16	16	13	80	22	13	SLP-50E2	SLP-50E2	165×120×167	
Flange connection	50	48	0.5	16	16	13	130	22	13	SLP-50EE2	SLP-50EE2	165×120×167	
	50	48	0.5	16	16	13	120	22	13	SLP-50VE2	SLP-50VE2	165×120×167	
Flange connection	25	12	0.5	16	16	13	80	80	13	-	SLPFE2-25LS1	134×110×160	
	25	12	0.5	16	16	13	130	130	13	-	SLPFEE2-25LS1	134×110×160	
Flange connection	25	12	0.5	16	16	13	120	120	13	-	SLPPFVE-25VLS1	134×110×160	
	35	22	0.5	16	16	13	80	22	13	-	SLPFE2-35LS1	160×135×175	
Flange connection	35	22	0.5	16	16	13	130	22	13	-	SLPFEE2-35LS1	160×135×175	
	35	22	0.5	16	16	13	120	22	13	-	SLPPFVE2-35LS1	160×135×175	
Flange connection	40	30	0.5	16	16	13	80	22	13	-	SLPFE2-40LS1	160×145×180	
	40	30	0.5	16	16	13	130	22	13	-	SLPFEE2-40LS1	160×145×180	
Flange connection	40	30	0.5	16	16	13	120	22	13	-	SLPPFVE2-40LS1	160×145×180	
	50	48	0.5	16	16	13	80	22	22	-	SLPFE2-50LS1	200×160×207	
Flange connection	50	48	0.5	16	16	13	130	22	22	-	SLPFEE2-50LS1	200×160×207	
	50	48	0.5	16	16	13	120	22	22	-	SLPPFVE2-50LS1	200×160×207	