

### TSV Series Hand-pull Valve



TSV86522-M



TSV98322-M

Ordering Code

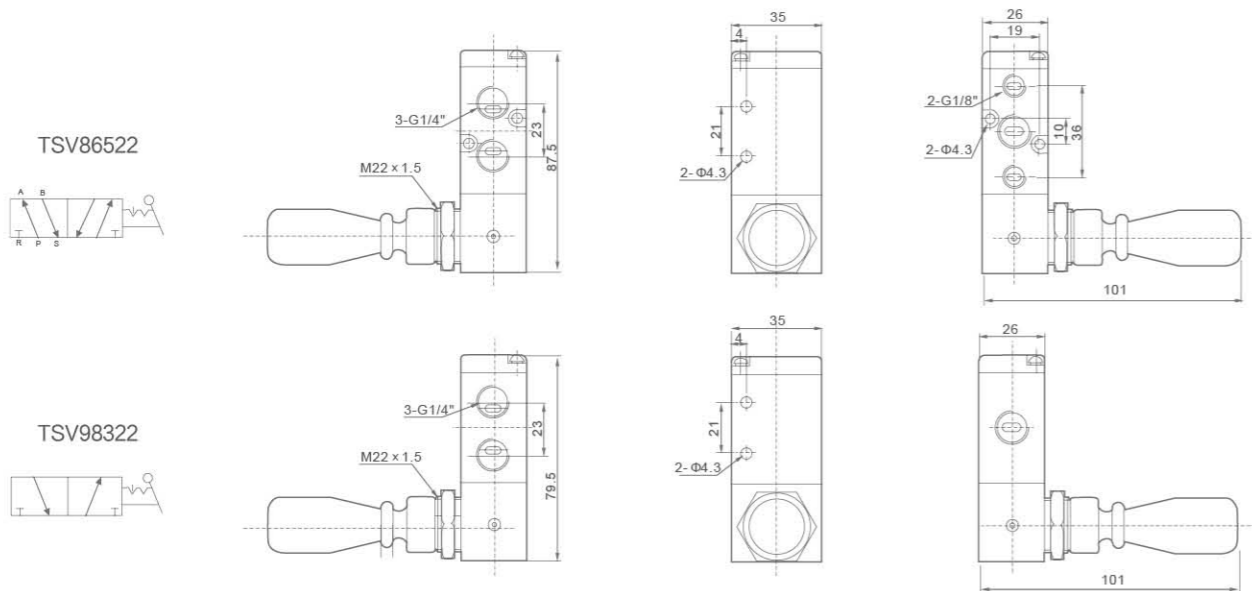
**TSV86** | **52** | **2** | **M**  
**Specification Code** Hand-pull Valve  
**Position and Way NO.** Two-position Five-way  
**Port Size** 1:G1/8" 2:G1/4"  
**Type Code** M:Machinery Locking Type S:Spring Return Type

**TSV98** | **32** | **2** | **M**  
**Specification Code** Hand-pull Valve  
**Position and Way NO.** Two-position Three-way  
**Port Size** 1:G1/8" 2:G1/4"  
**Type Code** M:Machinery Locking Type S:Spring Return Type

Specification

Model	TSV86522M/S	TSV98322M/S
Working Medium	40 Micron Filtered Air	
Motion Pattern	Direct Drive Type	
Effective Sectional Area	18mm <sup>2</sup> (CV=1.00)	
Port Size	G1/4"	
Working-pressure Range	0~1.0MPa	
Operating Temperature Range	0~60°C	

Overall Dimensions



### 4H Series Hand-pull Valve



4H330-10



4H210-08

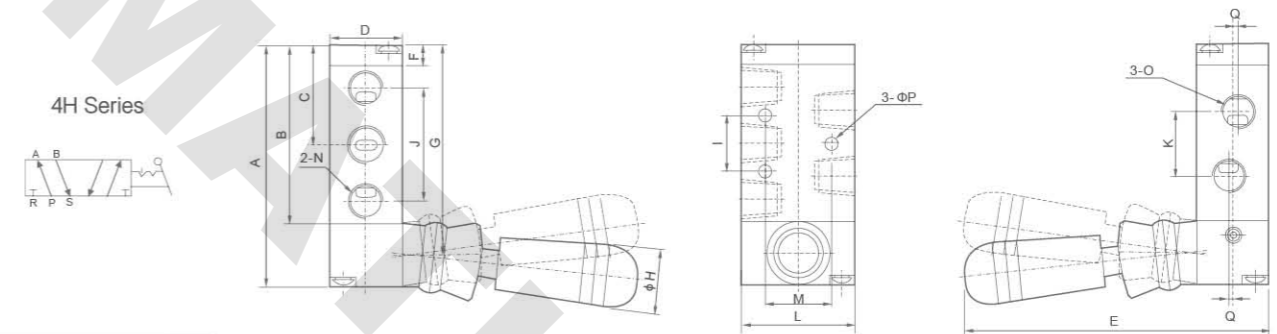
Ordering Code

**4H** | **2** | **10** | **06** | **□**  
**Specification Code** 4H:Two(Three)-position Five-way Hand Pull Valve  
**Position and way No** 2:200 Series 3:300 Series 4:400 Series  
**Number of places** 10:Single-head Double-position 30:Single-head Three-position  
**Port Size** 06:G1/8" 08:G1/4" 10:G3/8" 15:G1/2"  
**Type Code** Blank:Two-Position Five-way lock type L:Three-Position Five-way lock type S:Two(Three)- Position Five-way spring return type

Specification

Model	4H210-06	4H210-08	4H230-08	4H310-08	4H310-10	4H330-10	4H410-15	4H430-15
Working Medium	40 Micron Filtered Air							
Motion Pattern	Direct Drive Type							
Effective Section Area	14mm <sup>2</sup> (CV=0.78)	16mm <sup>2</sup> (CV=0.89)	12mm <sup>2</sup> (CV=0.67)	25mm <sup>2</sup> (CV=1.4)	30mm <sup>2</sup> (CV=1.68)	30mm <sup>2</sup> (CV=1.68)	50mm <sup>2</sup> (CV=2.79)	50mm <sup>2</sup> (CV=2.79)
Port Size	Air Inlet=Air Outlet= Exhaust=G1/8"	Air Inlet=Air Outlet= Exhaust=G1/4"	Air Inlet=Air Outlet= Exhaust=G1/4"	Air Inlet=Air Outlet= Exhaust=G1/4"	Air Inlet=Air Outlet= Exhaust=G1/4"	Air Inlet=Air Outlet= Exhaust=G1/4"	Air Inlet=Air Outlet= Exhaust=G1/2"	Air Inlet=Air Outlet= Exhaust=G1/2"
Working-Pressure Range	0~1.0MPa							
Operating Temperature Range	0~60°C							

Overall Dimensions



Dimension Sheet

Symbol/Model	A	B	C	D	E	F	G	H	I	J	K	L	M	N	O	P	Q
4H210-06	76.5	56.5	31.5	22	95	6.5	66.5	18	20	36	21	35	21	G1/8"	G1/8"	4.3	-
4H230-06	76.5	56.5	31.5	22	95	6.5	66.5	18	20	36	21	35	21	G1/8"	G1/8"	4.3	-
4H230-06(S)	97.5	75.5	31.5	22	95	6.5	85.5	18	20	36	21	35	21	G1/8"	G1/8"	4.3	-
4H210-08	76.6	56.5	31.5	22	95	6.5	66.5	18	20	36	21	35	21	G1/8"	G1/4"	4.3	1.5
4H230-08L	97.5	75.5	31.5	22	95	6.5	66.5	18	20	36	21	35	21	G1/8"	G1/4"	4.3	1.5
4H230-08(S)	97.5	75.5	31.5	22	95	6.5	85.5	18	20	36	21	35	21	G1/8"	G1/4"	4.3	1.5
4H310-08	92	72.5	40	27	100	7.5	82.5	18	24	45	24	40	27	G1/4"	G1/4"	4.3	-
4H310-10	92	72.5	40	27	100	7.5	52.5	18	24	45	24	40	27	G1/4"	G3/8"	4.3	2
4H410-15	126	102	55.5	34	100	7.5	114	18	28	63	36	50	35	G1/2"	G1/2"	5.5	-