

### 3R/4R Series Hand-draw Valve



4R110-06



4R210-08



3R210-08

Ordering Code

4R

Specification Code

4R:Two-position Five-way Hand-draw Valve  
3R:Two-position Three-way Hand-draw Valve

2

Series Code

100 Series  
200 Series  
300 Series  
400 Series

10

Number of Places

10:Single-head  
Double-position

06

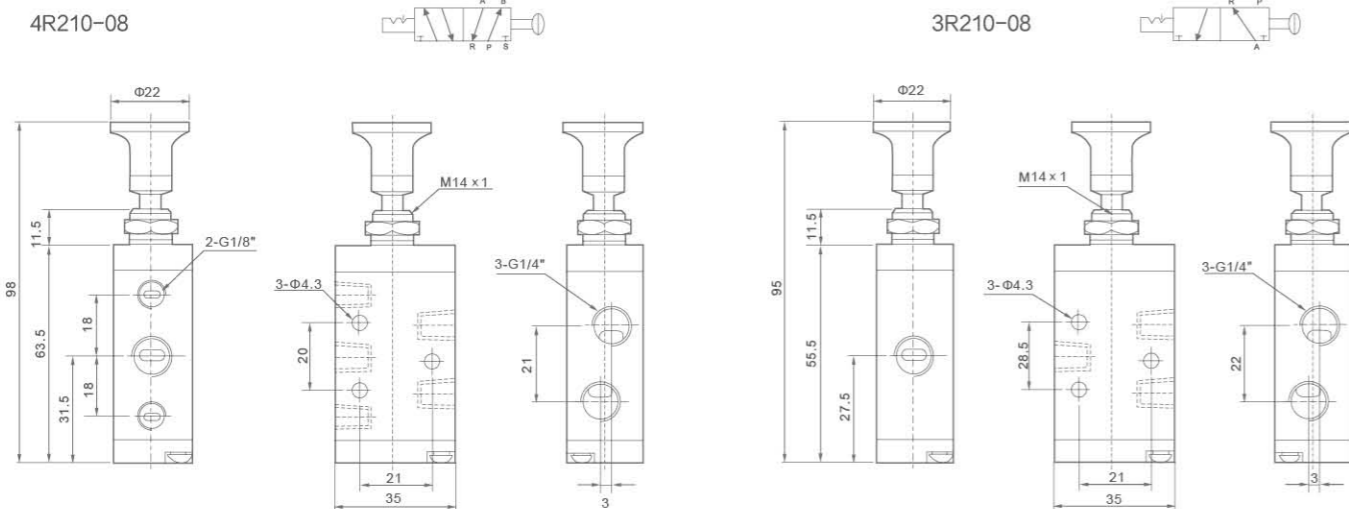
Port Size

06:G1/8"  
08:G1/4"  
10:G3/8"  
15:G1/2"

Specification

| Model                       | 4R110-06              | 4R210-08 | 4R310-10 | 4R410-15 | 3R110-06               | 3R210-08 | 3R310-10 | 3R410-15 |
|-----------------------------|-----------------------|----------|----------|----------|------------------------|----------|----------|----------|
| Working Medium              | Compressed Air        |          |          |          |                        |          |          |          |
| Position and Way No.        | Two-position Five-way |          |          |          | Two-position Three-way |          |          |          |
| Joint Pipe Bore             | G1/8"                 | G1/4"    | G3/8"    | G1/2"    | G1/8"                  | G1/4"    | G3/8"    | G1/2"    |
| Working-pressure Range      | 0~1.0MPa              |          |          |          |                        |          |          |          |
| Operating Temperature Range | -5~60℃                |          |          |          |                        |          |          |          |
| Operating Method            | Direct Action Type    |          |          |          |                        |          |          |          |
| Lubrication                 | Not Required          |          |          |          |                        |          |          |          |

Overall Dimensions



### HV,K34 Series Hand-switching Valve



HV-03



K34R-08



K34R-L8D



K34R-L6D

Ordering Code

HV

02

□

K

34

R<sub>8</sub>

L8

D

Series Code  
HV Series

Port Size  
02:G1/4"  
03:G3/8"  
04:G1/2"

Joint Pipe Type  
Blank:Pipe Connection Type  
B:Plate Connection Type

Series Code  
K Series

Position and way No.  
24:Two-position Four-way  
34:Three-position Four-way

Type Code  
R<sub>8</sub>:Hand-switching Valve

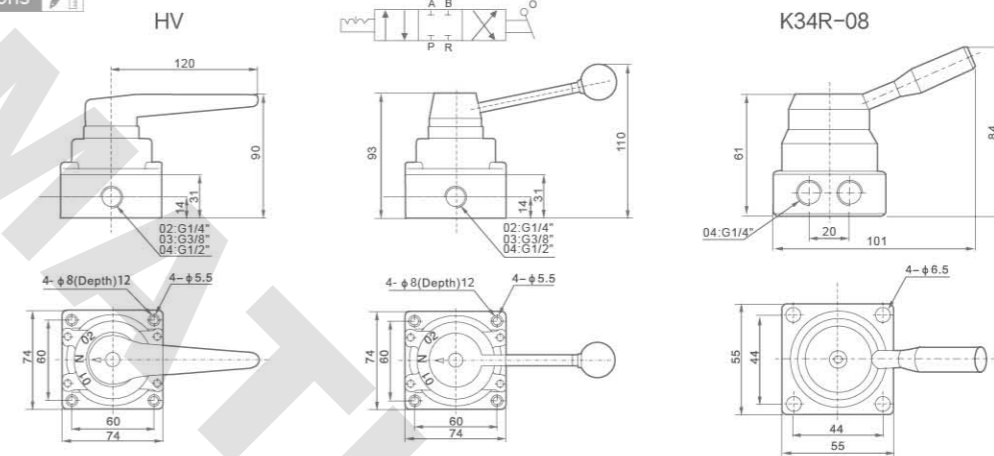
Port Size  
L6:G1/8"  
L8:G1/4"

Base Joint

Specification

| Model                       | HV-02                       | HV-03 | HV-04 | K34R <sub>6</sub> -L6       | K34R <sub>8</sub> -L8 |
|-----------------------------|-----------------------------|-------|-------|-----------------------------|-----------------------|
| Working Medium              | 40 Micron Filtered Air      |       |       |                             |                       |
| Effective Sectional Area    | 30mm <sup>2</sup> (cv+1.68) |       |       | 18mm <sup>2</sup> (cv+1.00) |                       |
| Port Size                   | G1/4"                       | G3/8" | G1/2" | G1/8"                       | G1/4"                 |
| Working-pressure Range      | 0~0.8MPa                    |       |       |                             |                       |
| Operating Temperature Range | 0~60℃                       |       |       |                             |                       |

Overall Dimensions



### 4HV Series Hand-switching Valve



4HV330-10

Ordering Code

4HV

230

08

T

Series  
4HV Series

Position and way No.  
230: Two-position Four-way  
330: Three-position Four-way

Port Size  
08: G1/4"  
10: G3/8"  
15: G1/2"

Install Type  
Blank: Body of Valve Install  
T: Panel Install