

JM Series Mechanical Valve



Ordering Code

JM

05

Specification Code
Stop-type Mechanical Valve

Button Type
05: Selective Knob
06: With Lock Button
06A: Convex Round Button
07: Roller Type

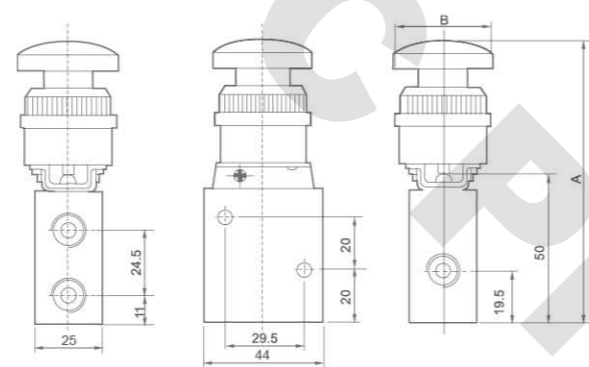
Specification

Model	JM-05	JM-06	JM-06A	JM-07
Working Medium	40 Micron Filtered Air			
Position and Way No.	Two-position Three-way, Two-position Two-way			
Port Size	G1/4"			
Working-pressure Range	0~0.8MPa			
Operating Temperature	0~60°C			

Dimension Sheet

Model	JM-05	JM-06	JM-06A	JM-07
A	114	111	96	84.5
B	36.5	39.5	39.5	42.5

Overall Dimensions



XS3 Series Mechanical Valve



Ordering Code

S3

PM

06

R

Specification Code
Two-Position
Three way Mechanical Valve

Button Type
B: Normal
C: Long Handle
D: Shaft Handle
Y: Rocjer
R: Roller lever
L: One way Roller lever
V: Vertical roller
PL: Park Rotation Button
PP: Convers Button
PF: Plat Button
PM: Large Round Button
HS: Selective Knob

Port Size
05: M5
06: PT1/8"
08: PT1/4"

Button Color

Specification	Button Color
PL Type	R: Red
PP Type/PF Type	R: Red
PM Type/HS Type	G: Green
Other Model	B: Black
	No

Specification

Model	S3B	S3C	S3D	S3V	S3R	S3L	S3Y	S3PM	S3PP	S3PF	S3PL	S3HS
Working Medium	Filtered 40µm Air											
Motion Pattern	External Direct Action Control											
Port Size	05: M5; 06: PT1/8"; 08: PT1/4"											
Effective Sectional Area	05: 2.4mm ² (Cv=0.45); 08: 12.0mm ² (Cv=0.67)											
Position and Way Area	Two-Position Three-Way											
Lubrication	Not required											
Working Pressure Resistance	0~0.8MPa											
Ensured Pressure Resistance	1.5MPa											
Working Temperature	-20~70°C											
Body Material	Aluminum Alloy											

MOV Series Mechanical Valve



Ordering Code

MOV

01

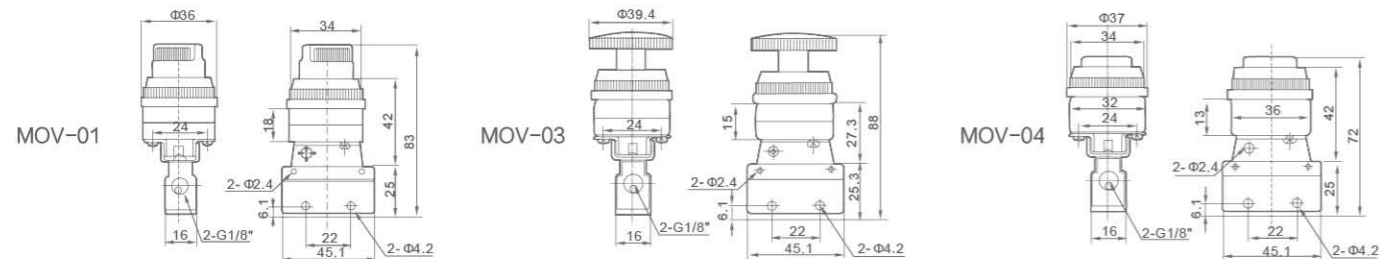
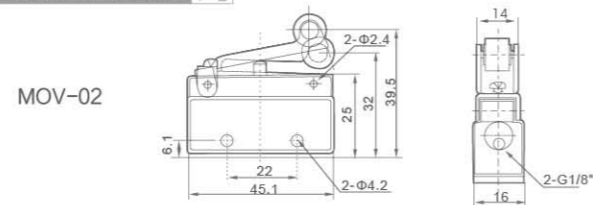
Specification Code
Machine-Control,
Hand-Control Valve

Button Type
01: Selective Knob
02: Roller Type
03: With Lock Button
04: Convex Round Button

Specification

Model	MOV-01	MOV-02	MOV-03	MOV-04
Working Medium	Air			
Position and Way No.	Two-position Two-way			
Port Size	G1/8"			
Working-pressure Range	0~0.8MPa			
Operating Temperature	0~70°C			

Overall Dimensions



XT Series Toggles Valve

