

SY7000 Series 5 Port Low Energy Consumption High Performance Valve



SY7120-02



SY7220-02



SY7320-02

Ordering Code

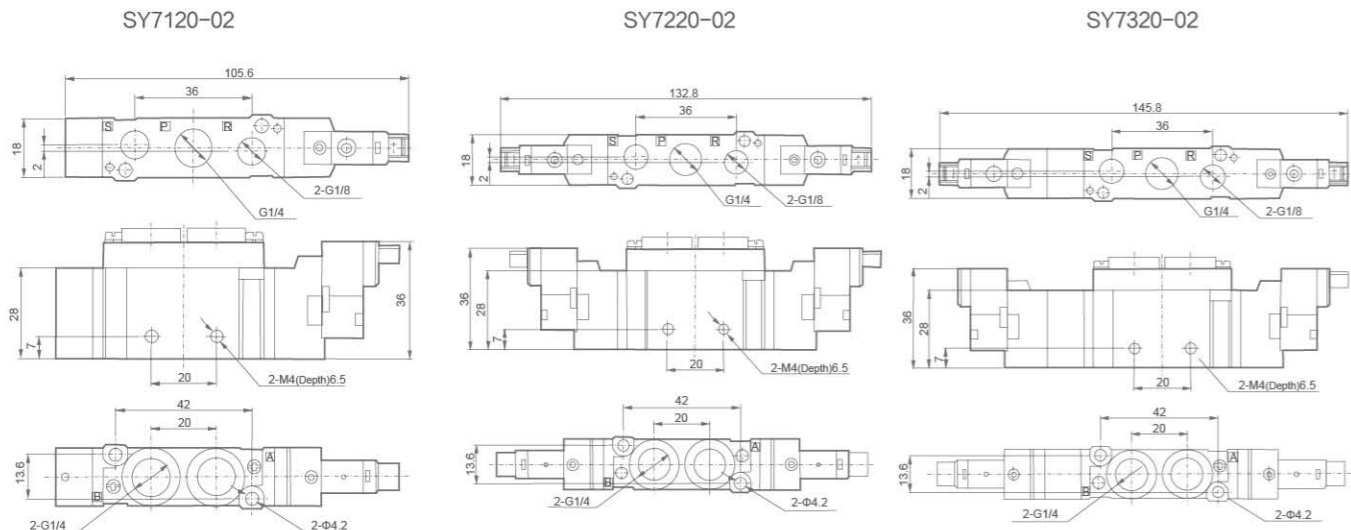
SY7 **1** **20** - **A** **L** **Z** **D** **02**

- | | | | | | | |
|----------------------------------|---|---------------------------|--|--|--|------------------------------|
| Series Code
SY7 Series | Function Engery
1: Single-head Double-position
2: Double-head Double-position
3: Double-head Three-position Close Type
4: Double-head Three-position Exhaust Type
5: Double-head Three-position Pressure Type | Direct Piping Type | Nominal Voltage
A:DC24V
B:DC12V
C:AC110V
D:AC220V | Pin Type
L:Vertical Type
M:Straingtine Type
G:Lead Wire Type | Manual Operation Mode
Blank:Non-Locking
D:Screwdriver Downward Locking
E:Hand Lever Pushdown Locking | Port Size
02:G1/4" |
|----------------------------------|---|---------------------------|--|--|--|------------------------------|

Specification

Model	SY7120-02	SY7220-02	SY7320-02	SY7420-02	SY7520-02
Function Engery	Single-head Double-position	Double-head Double-position	Double-head Three-position Close Type	Double-head Three-position Exhaust Type	Double-head Three-position Pressure Type
Cv Valve(P-A/B)		1.15	0.84	0.74	1.36
Cv Valve(A/B-R/S)		1.05	0.75	1.15	0.66
Joint Pipe Bore	G1/4"				
Working Pressure	0.15~0.7MPa		0.2~0.7MPa		
Working Medium	40 Micron Filtered Air				
Motion Pattern	Inner Guide Type				
Highest Action Frequency	8 cycle/Second		5 cycle/Second		
Response Time(ms)	31 below		50 below		
Operating Temperature	-5~60 C				

Overall Dimensions



3V1 Series Solenoid Valve

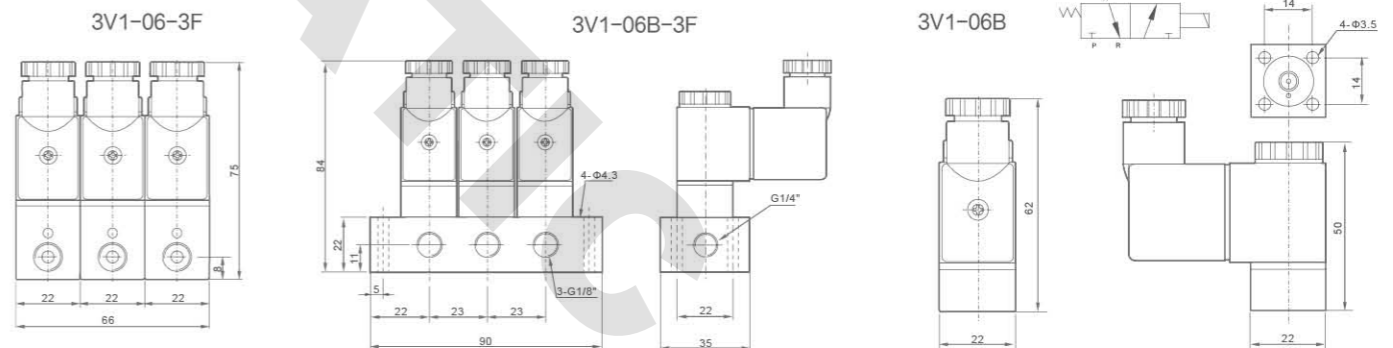


3V1-06

Specification

Model	3V1-M5	3V1-06
Working Medium	40 Micron Filtered Air	
Motion Pattern	Direct Drive Type	
Joint Pipe Bore	M5	1/8"
Ambient Temperature	-10~+60°C	
Gas Temperature	5~60°C	
Air Outlet Diameter	1.0mm	
Lubrication	Not Necessary	
Working-pressure	0~0.8MPa	
Max.Pressure Resistance	1.2MPa	
Power Consumption	AC:4.5VA DC:3.0W	
Protect Class	IP65	
Power Connection Form	GorI	
Material of Body	Aluminum alloy	
Highest Action Frequency	10Cycle / Sec	
Insulation	F Class	
Voltage Range	±10%	
Shortest Excitation Time	0.05 Second	

Overall Dimensions



Ordering Code

3V **1** **06** - **B** - **AC220V** -

- | | | | |
|--|---|--|---|
| Specification Code
3V: Two-position Three-way Solenoid Valve | Port Size
M5:M5×0.8
06:G1/8" | Standard Voltage
DC12v
DC24v
AC24v 50Hz/60Hz
AC110v 50Hz/60Hz
AC220v 50Hz/60Hz
AC380v 50Hz/60Hz | Wiring Form
Blank:Standard Connector
G:Lead Wire Type
L:With Lighting Connector |
| Series Code
100 Series | Connecting Type
Blank:Pipe Connection Type
B:Plate Connection Type | | |

Overall Dimensions

