

VF、VZ Series Solenoid Valve



VF5120



VF3230

Ordering Code

VF3

1

30

AC220V

□

Series Code

VF3 Series  
VF5 Series  
VZ5 Series

Coil and Places

1:Single-Head Double-position  
2:Double-Head Double-position  
3:Double-Head Three-position Close Type  
4:Double-Head Three-position Exhaust Type  
5:Double-Head Three-position Pressure Type

Order No.

VF3:30  
VF5:20  
VZ5:20

Standard Voltage

DC12V  
DC24V  
AC24V 50Hz/60Hz  
AC110V 50Hz/60Hz  
AC220V 50Hz/60Hz  
AC380V 50Hz/60Hz

Wiring Form

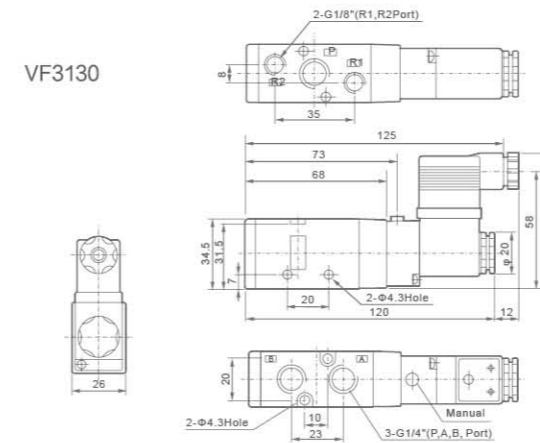
Blank:Standard  
Connector  
LD:With Lighting  
Connector  
W:Lead Wire Type

Specification

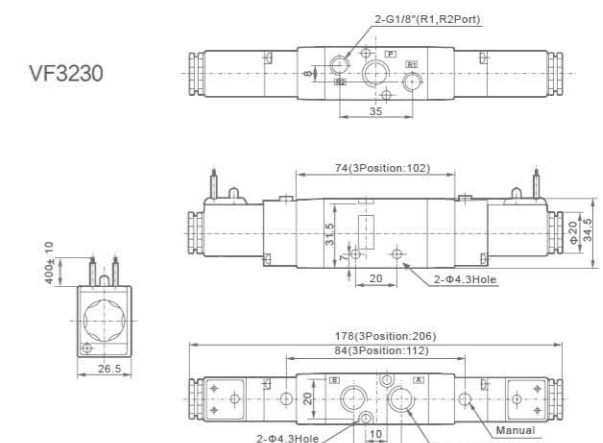
Model	VF3130	VF3230	VF33(4/5)30	VF5120	VF5220	VF53(4/5)20	VZ5120	VZ5220	VZ53(4/5)20
Position and Way NO.	Two-position Five-way	Three-position Five-way	Three-position Five-way	Two-position Five-way	Three-position Five-way	Three-position Five-way	Two-position Five-way	Three-position Five-way	Three-position Five-way
Effective Section Area	16mm <sup>2</sup> (CV=0.89)	12mm <sup>2</sup> (CV=0.67)	12mm <sup>2</sup> (CV=0.67)	25mm <sup>2</sup> (CV=1.40)	18mm <sup>2</sup> (CV=1.00)	18mm <sup>2</sup> (CV=1.00)	12mm <sup>2</sup> (CV=0.67)	12mm <sup>2</sup> (CV=0.67)	9mm <sup>2</sup> (CV=0.50)
Working Medium	40 Micron Filtered Air								
Motion Pattern	Inner Guide Type								
Working-Pressure	0.15~0.8MPa								
Max.Pressure Resistance	1.2MPa								
Operating Temperature	5~50℃								
Voltage Range	±10%								
Power Consumption	AC:4.5VA DC:3W								
Insulation & Protection Class	IP65/F Class.IP65								
Wiring Form	Lead Wire or Connector Type								
Highest Action Frequency	5 Cycle / Sec								
Shortest Excitation Time	0.05 Second								

VF、VZ Series Solenoid Valve

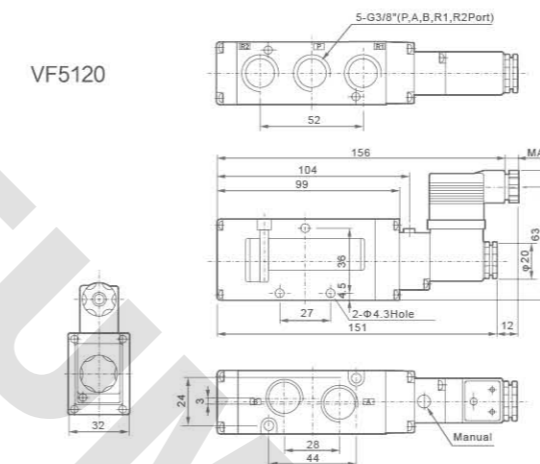
Overall Dimensions



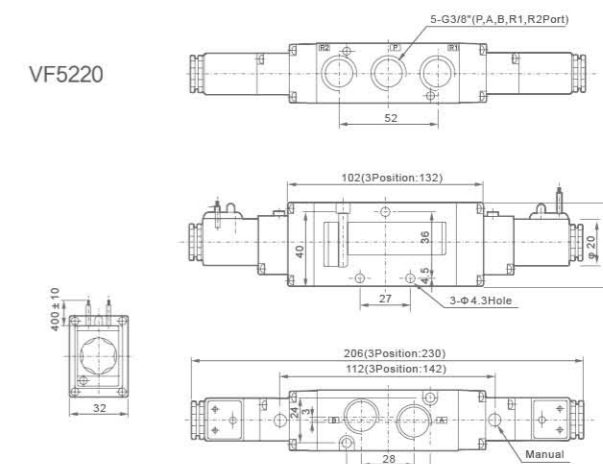
VF3130



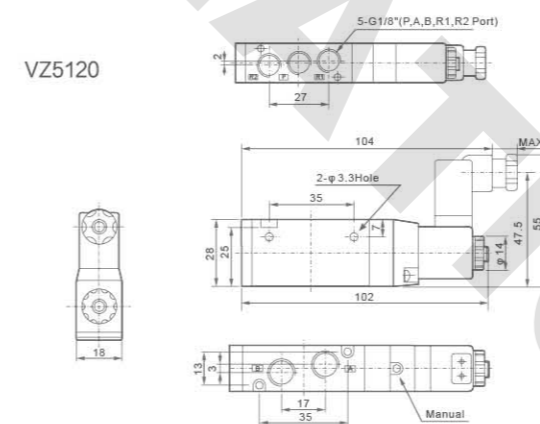
VF3230



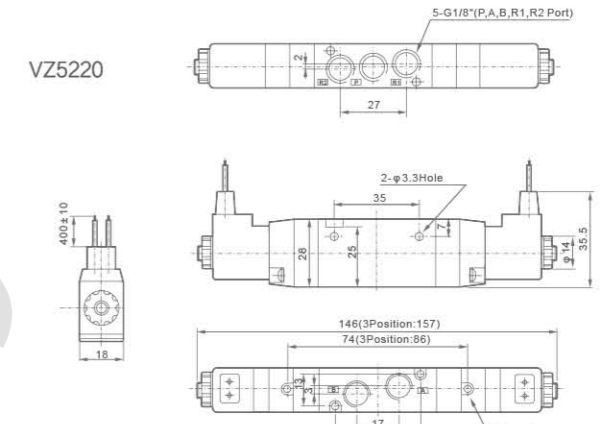
VF5120



VF5220



VZ5120



VZ5220