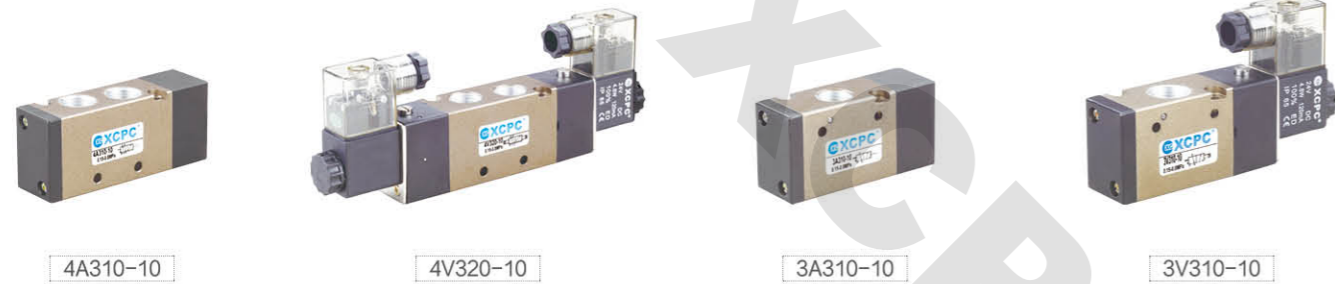


4V、3V300 Series Solenoid Valve,4A、3A 300 Series Pneumatic Control Valve



Ordering Code

4V 3 10 - 10 □ AC220V - □

Specification Code
 4V:Two(Three)-position Five-way Solenoid Valve
 4A:Two(Three)-position Five-way pneumatic control Valve
 3V:Two-position Three-way Solenoid Valve
 3A:Two-position Three-way Pneumatic Control Valve

Series Code
 300 Series

Coil and Places
 10:Single-head Double-position
 20:Double-head Double-position
 30C:Double-head Three-position Close Type
 30E:Double-head Three-position Exhaust Type
 30P:Double-head Three-position Pressure Type

Port Size
 08:G1/4"
 10:G3/8"

Port connection and Initial State
 NC:Two-position Three-way Normal Close Type
 NO:Two-position Three-way Normal Open Type

Standard Voltage
 DC12V
 DC24V
 AC24V 50Hz/60Hz
 AC110V 50Hz/60Hz
 AC220V 50Hz/60Hz
 AC380V 50Hz/60Hz

Wiring Form
 Blank:Standard Connector
 LD:Brown With Lighting Connector
 LD1:White With Lighting Connector
 W:Lead Wire Type

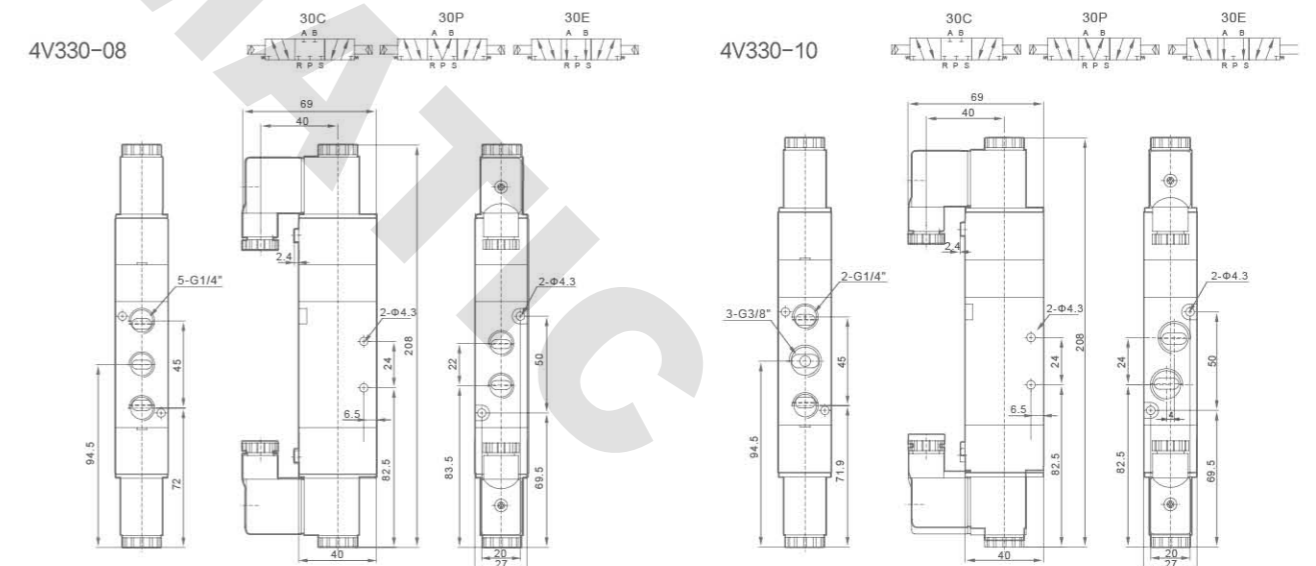
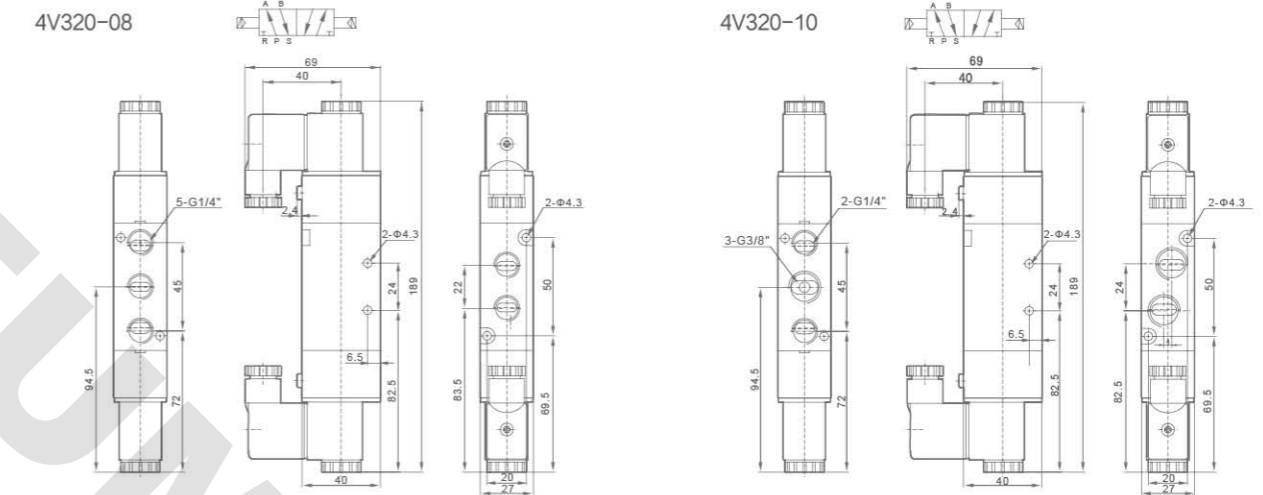
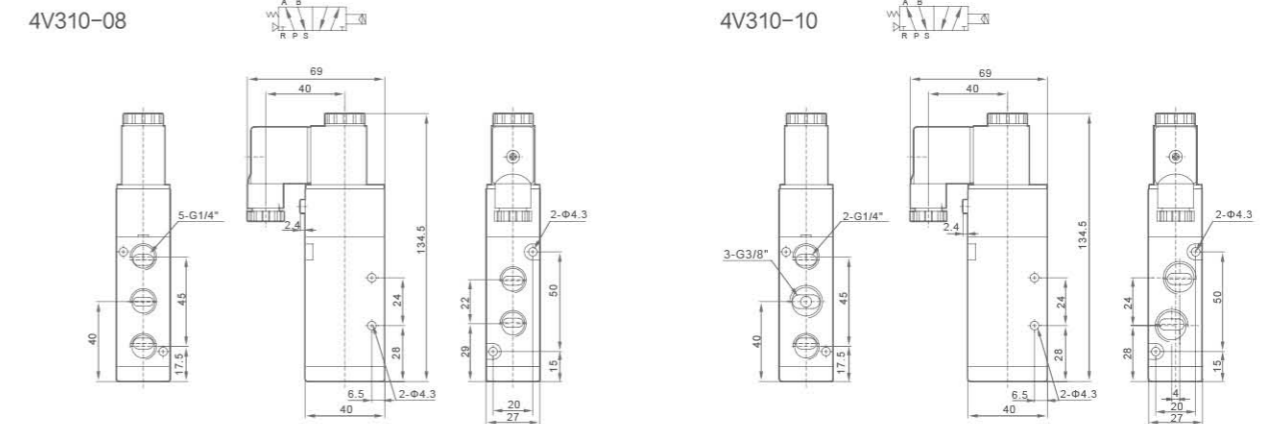
Specifcation

Model	4V310-08	4V320-08	4V330C-08	4V330E-08	4V330P-08	4V310-10	4V320-10	4V330C-10	4V330E-10	4V330P-10
Position and Way NO.	Two-position Five-way		Three-position Five-way			Two-position Five-way		Three-position Five-way		
Effective Sectional Area	25mm ² (CV=1.40)		18mm ² (CV=1.00)			30mm ² (CV=1.68)		18mm ² (CV=1.00)		

Model	3V210-08	3V220-08	3A310-08	3A320-08	3V310-10	3V2320-10	3A310-10	3A220-10
Position and Way NO.	Two-position Three-way				Two-position Three-way			
Effective Section Area	25mm ² (CV=1.40)				30mm ² (CV=1.68)			
Joint Pipe Bore	Air Inlet=Air Outlet=Exhaust=G1/4"				Air Inlet=Air Outlet=3/8" Exhaust=G1/4"			
Working Medium	40 Micron Filtered Air							
Motion Pattern	Inner Guide Type							
Working-pressure	0.15~0.8 M Pa							
Max. Pressure Resistance	1.2MPa							
Operating Temperature	5~50℃							
Voltage Range	±10%							
Power Consumption	AC: 4.5VA DC: 3W							
Insulation & Protection Class	F Class. IP65							
Wiring Form	Lead Wire or Connector type							
Highest Action Frequency	5 Cycle / Sec							
Shortest Excitation Time	0.05 Second							

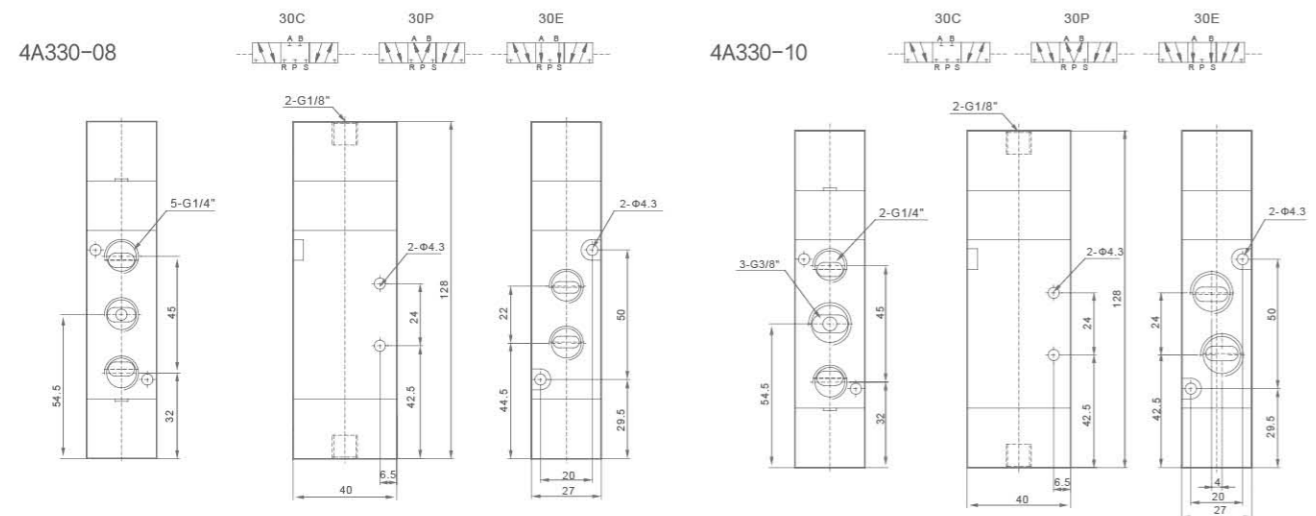
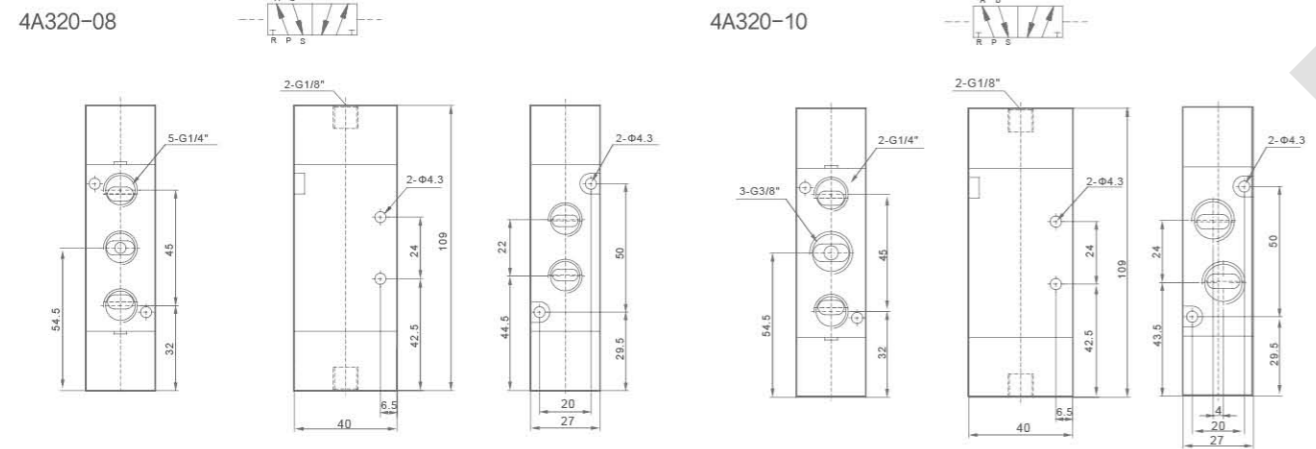
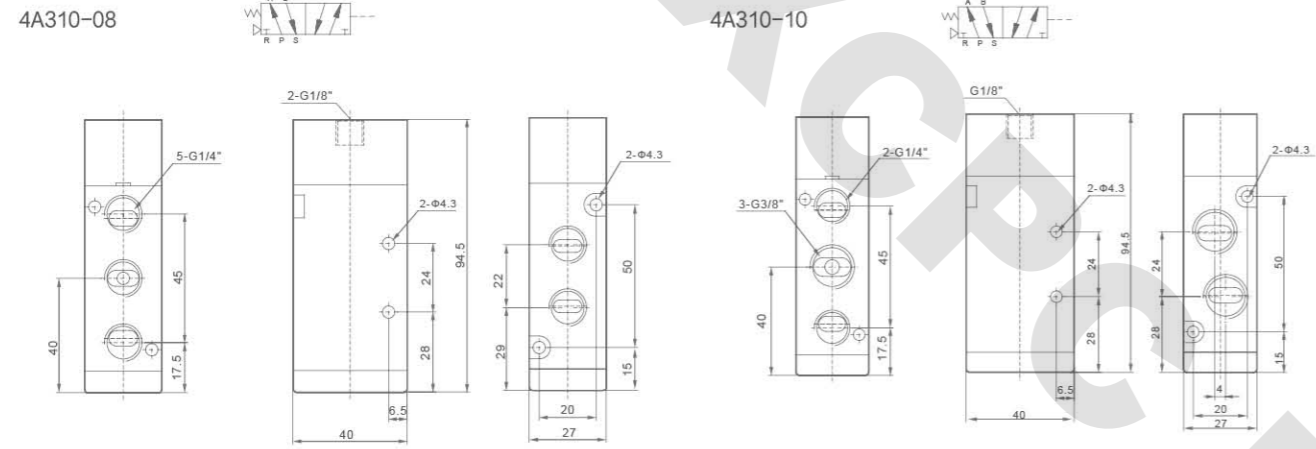
4V、3V300 Series Solenoid Valve,4A、3A300 Series Pneumatic Control Valve

Overall Dimensions



4V、3V300 Series Solenoid Valve, 4A、3A 300 Series Pneumatic Control Valve

Overall Dimensions



4V、3V300 Series Solenoid Valve, 4A、3A300 Series Pneumatic Control Valve

Overall Dimensions

