

4V、3V200 Series Solenoid Valve,4A、3A 200 Series Pneumatic Control Valve



Ordering Code

4V 2 10 08 □ AC220V □

Specification Code	Series Code	Coil and Places	Port Size	Port connection and Initial State	Standard Voltage	Wiring Form
4V:Two(Three)-position Five-way Solenoid Valve 4A:Two(Three)-position Five-way pneumatic control valve 3V:Two-position Three-way Solenoid Valve 3A:Two-position Three-way Pneumatic Control Valve	200 Series	10:Single-head double-position 20:Double-head double-position 30C:Double-head Three-position Close Type 30E:Double-head Three-position Exhaust Type 30P:Double-head Three-position Pressure Type	06:G1/8" 08:G1/4"	NC:Two-position Three-way Normal Close Type NO:Two-position Three-way Normal Open Type	DC12V DC24V AC24V 50Hz/60Hz AC110V 50Hz/60Hz AC220V 50Hz/60Hz AC380V 50Hz/60Hz	Blank:Standard Connector LD:Brown With Lighting Connector LD1:White With Lighting Connector W:Lead Wire Type

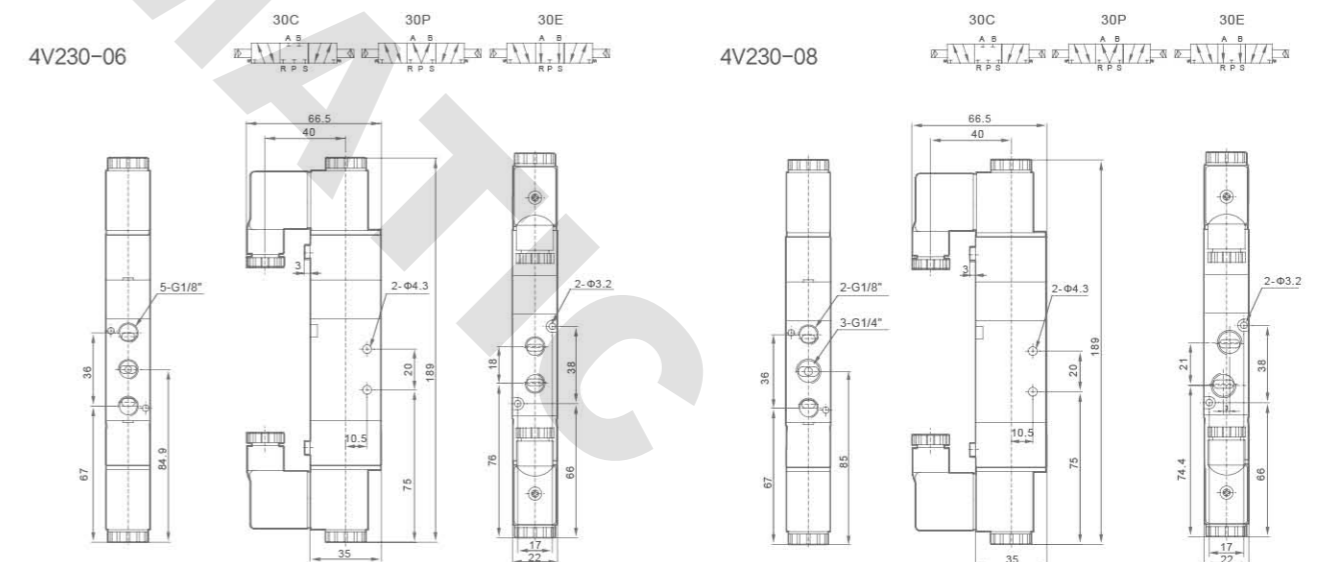
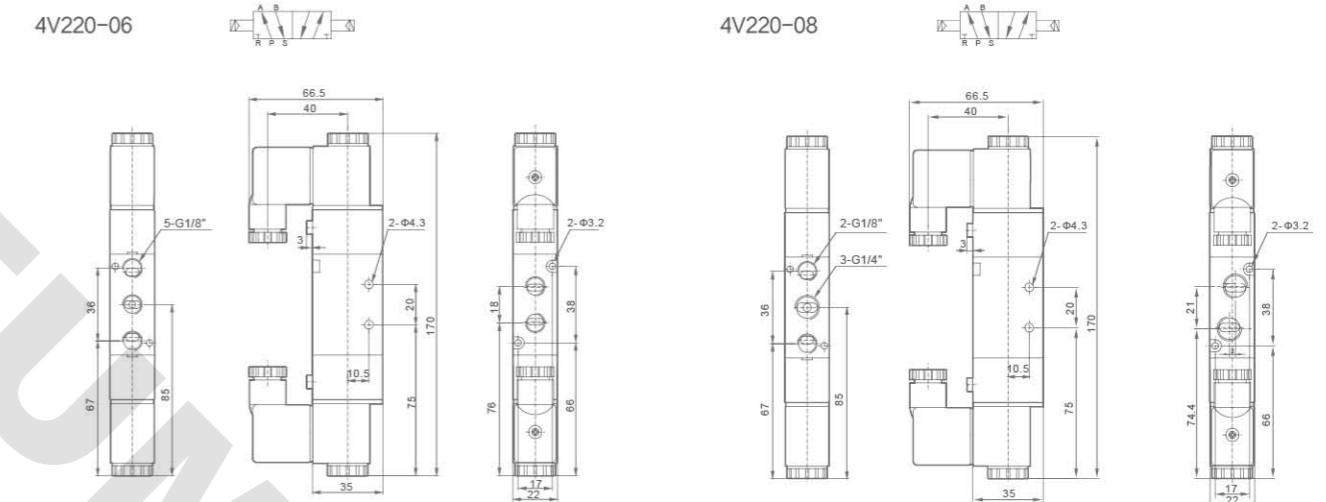
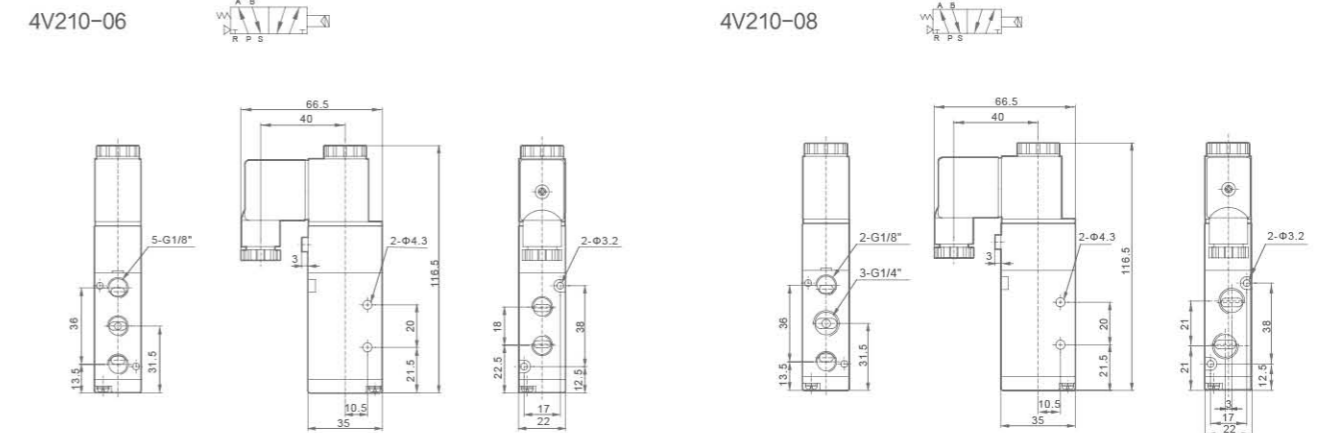
Specification

Model	4V210-06	4V220-06	4V230C-06	4V230E-06	4V230P-06	4V210-08	4V220-08	4V230C-08	4V230E-08	4V230P-08
Position and Way NO.	Two-position Five-way		Three-position Five-way			Two-position Five-way		Three-position Five-way		
Effective Sectional Area	14mm ² (CV=0.78)		12mm ² (CV=0.67)			16mm ² (CV=0.89)		12mm ² (CV=0.67)		

Model	3V210-06	3V220-06	3A210-06	3A220-06	3V210-08	3V220-08	3A210-08	3A220-08
Position and Way NO.	Two-position Three-way				Two-position Three-way			
Effective Section Area	14mm ² (CV=0.78)				16mm ² (CV=0.89)			
Joint Pipe Bore	Air Inlet=Air Outlet=Exhaust=G1/8"				Air Inlet=Air Outlet 1/4" Exhaust=G1/8"			
Working Medium	40 Micron Filtered Air							
Motion Pattern	Inner Guide Type							
Working-pressure	0.15~0.8 M Pa							
Max. Pressure Resistance	1.2MPa							
Operating Temperature	5~50 C							
Voltage Range	±10%							
Power Consumption	AC: 2.5VA DC: 2.5W							
Insulation & Protection Class	F Class. IP65							
Wiring Form	Lead Wire or Connector type							
Highest Action Frequency	5 Cycle / Sec							
Shortest Excitation Time	0.05 Second							

4V、3V200 Series Solenoid Valve,4A、3A200 Series Pneumatic Control Valve

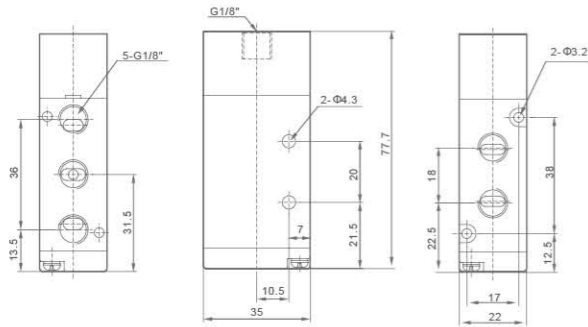
Overall Dimensions



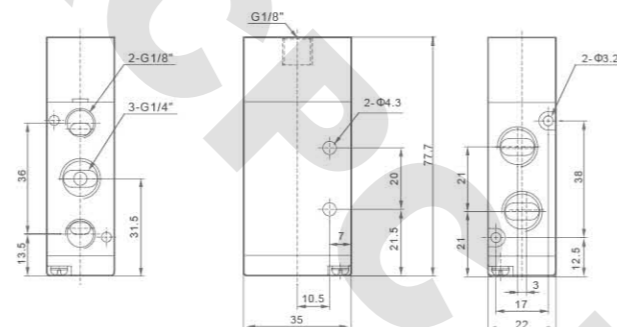
4V、3V200 Series Solenoid Valve, 4A、3A 200 Series Pneumatic Control Valve

Overall Dimensions

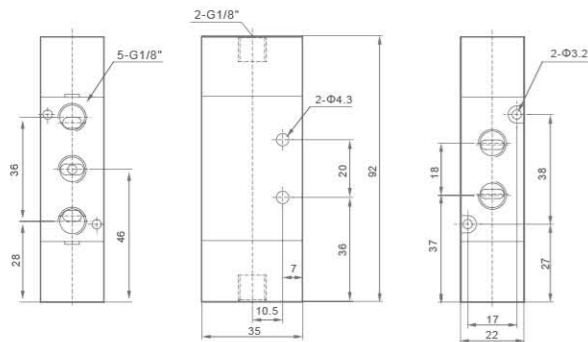
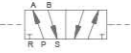
4A210-06



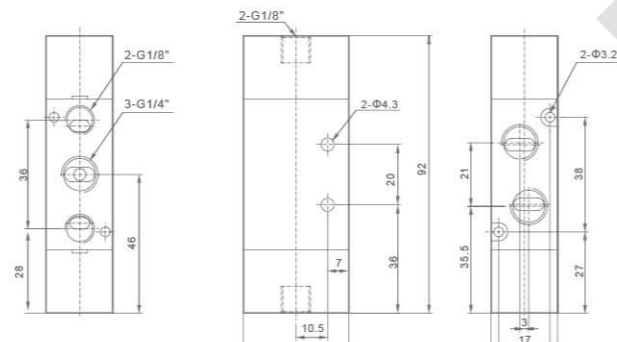
4A210-08



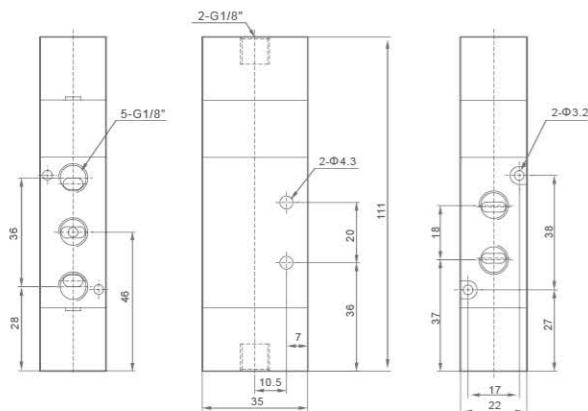
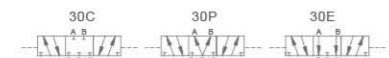
4A220-06



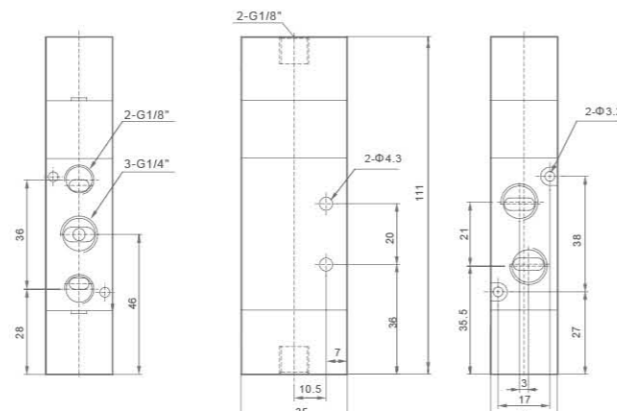
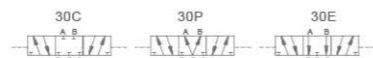
4A220-08



4A230-06



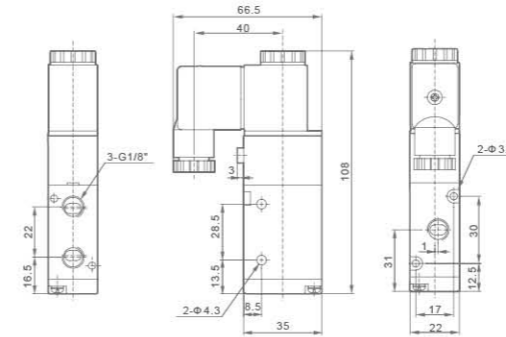
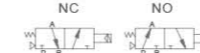
4A230-08



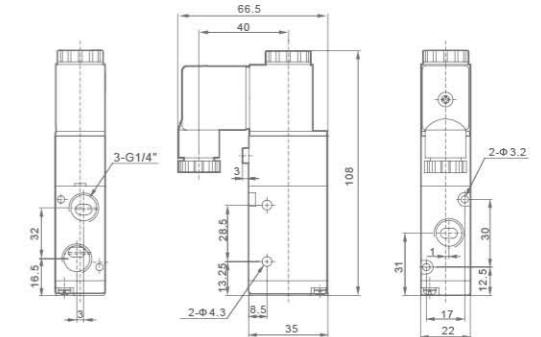
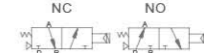
4V、3V200 Series Solenoid Valve, 4A、3A 200 Series Pneumatic Control Valve

Overall Dimensions

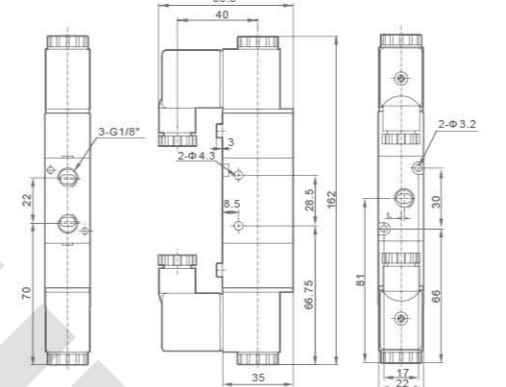
3V210-06



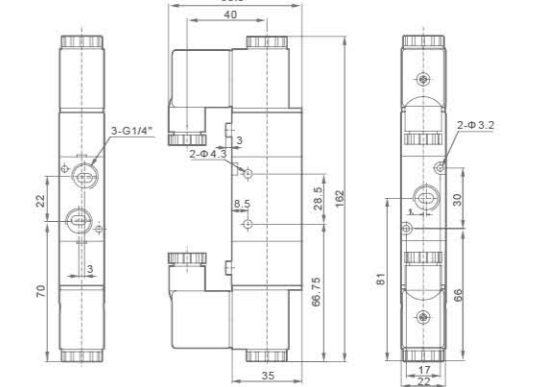
3V210-08



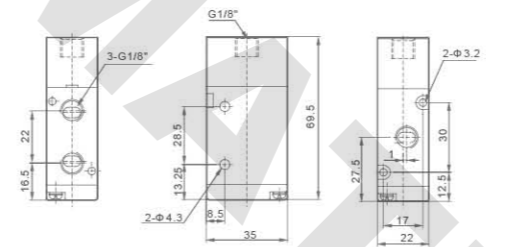
3V220-06



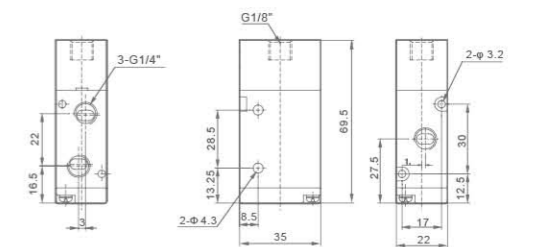
3V220-08



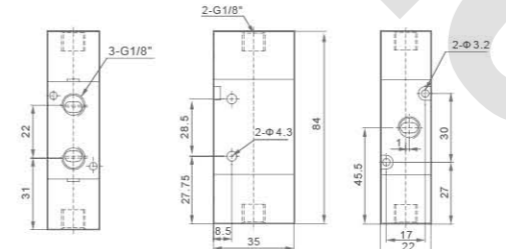
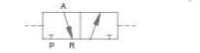
3A210-06



3A210-08



3A220-06



3A220-08

