

AR, BR Series Regulator



BR4000

AR2000

Ordering Code

BR

2000

□

Series

AR: Small Size
BR: Middle Size

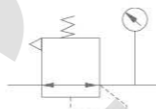
Port Size

1500: G1/8"
2000: G1/4"
3000: G3/8"
4000: G1/2"

Color

Blank: Standard
W: White

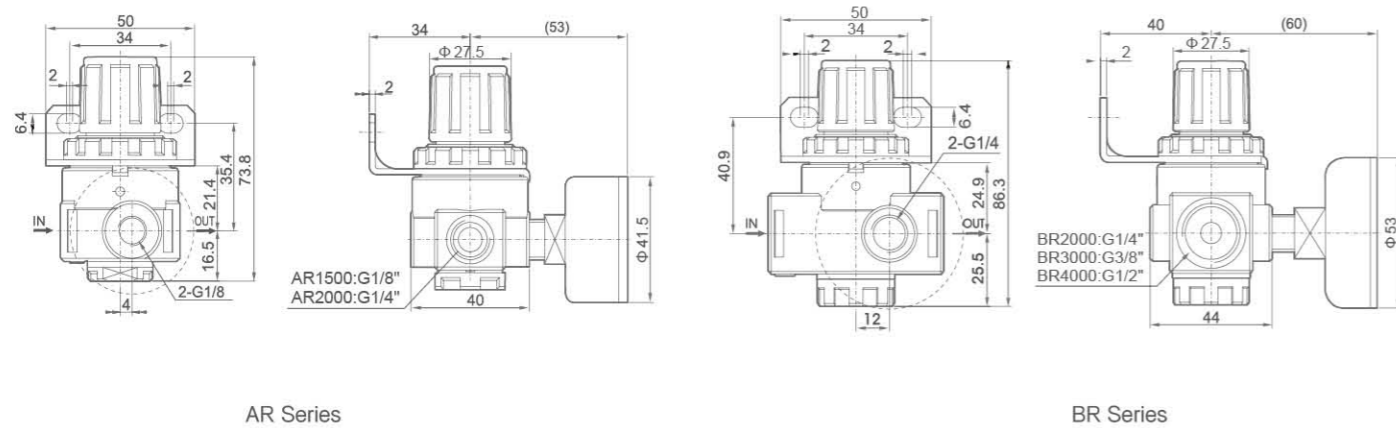
Graphic Symbol



Specification

Model	AR1500	AR2000	BR2000	BR3000	BR4000
Operating Fluid	Air				
Port Size	G1/8"	G1/4"	G1/4"	G3/8"	G1/2"
Range of Adjustable Pressure	0.05~0.85MPa				
Max Adjustable Pressure	0.95MPa				
Ensured Pressure Resistance	1.5MPa				
Operating Temperature Range	5~60℃				
Material of Body	Aluminum Die-casting Forming				

Overall Dimensions



AL, BL Series Lubricator



BL4000

AL2000

Ordering Code

BL

2000

□

Series

AL: Small Size
BL: Middle Size

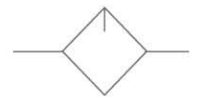
Port Size

1500: G1/8"
2000: G1/4"
3000: G3/8"
4000: G1/2"

Color

Blank: Standard
W: White

Graphic Symbol



Specification

Model	AL1500	AL2000	BL2000	BL3000	BL4000
Operating Fluid	Air				
Port Size	G1/8"	G1/4"	G1/4"	G3/8"	G1/2"
Ensured Pressure Resistance	1.5MPa				
Operating Temperature Range	5~60℃				
Suggested Lube	ISO VG 32 or Same Grade Oil				
Capacity of Oil Feed Cup	25cc		90 cc		
Material	Body		Aluminum Die-casting Forming		
	Container Cup		PE		
	Protective Cup Cover		Iron		

Overall Dimensions

