

AFR,BFR Series Filter&Regulator



BFR4000 AFR2000

Ordering Code

BFR **3000**

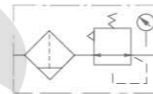
Series
AC:Small Size
BC:Middle Size

Port Size
1500:G1/8"
2000:G1/4"
3000:G3/8"
4000:G1/2"

Drain Type
Blank:Manual Drain Type
D:Auto Drain Type

Color
Blank:Standard
W:White

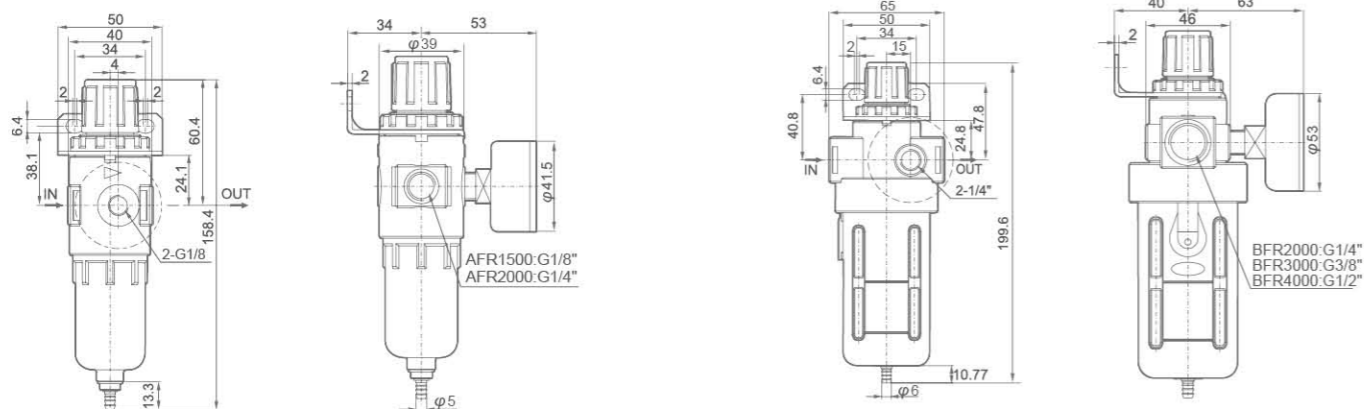
Graphic Symbol



Specification

Model	AFR1500	AFR2000	BFR2000	BFR3000	BFR4000
Operating Fluid	Air				
Port Size	G1/8"	G1/4"	G1/4"	G3/8"	G1/2"
Range of Adjustable Pressure	0.05~0.85MPa				
Max Adjustable Pressure	0.95MPa				
Ensured Pressure Resistance	1.5MPa				
Operating Temperature Range	5~60℃				
Capacity of Filter Cup	15 cc		60 cc		
Material	Body	Aluminum Die-casting Forming			
	Container Cup	PE			
	Protective Cup Cover	-	Iron		

Overall Dimensions



AFR Series

BFR Series

AF,BF Series Air Filter



BF4000 AF2000

Ordering Code

BF **3000**

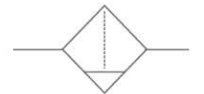
Series
AF:Small Size
BF:Middle Size

Port Size
1500:G1/8"
2000:G1/4"
3000:G3/8"
4000:G1/2"

Drain Type
Blank:Manual Drain Type
D:Auto Drain Type

Color
Blank:Standard
W:White

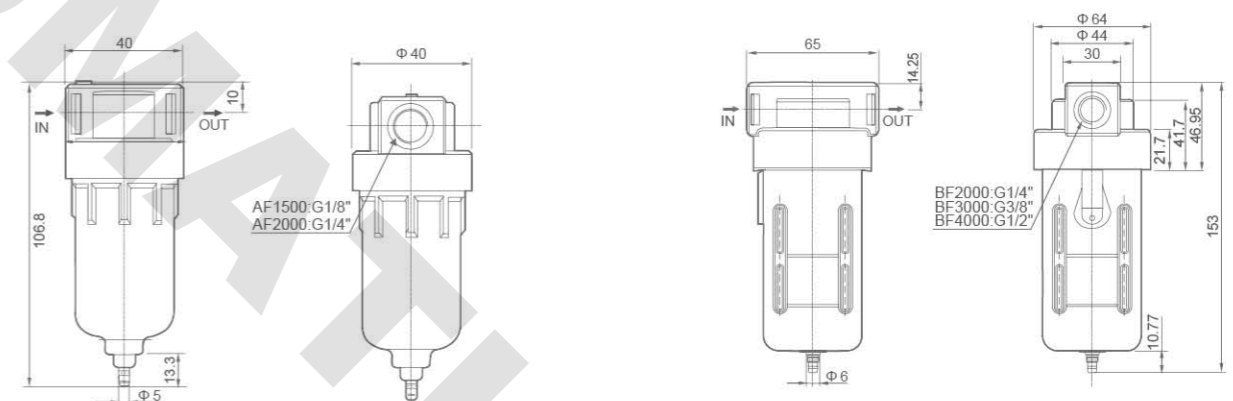
Graphic Symbol



Specification

Model	AF1500	AF2000	BF2000	BF3000	BF4000
Operating Fluid	Air				
Port Size	G1/8"	G1/4"	G1/4"	G3/8"	G1/2"
Filtering Element Reughness	40μ				
Ensured Pressure Resistance	1.5MPa				
Operating Temperature Range	5~60℃				
Capacity of Filter Cup	15cc			60 cc	
Material	Body	Aluminum Die-casting Forming			
	Container Cup	PE			
	Protective Cup Cover	-	Iron		

Overall Dimensions



AF Series

BF Series