

AC,BC Series Air Source Treatment Unit(F.R.L Combination)



Ordering Code

BC **3000** □ □

Series
AC:Small Size
BC:Middle Size

Port Size
1500:G1/8"
2000:G1/4"
3000:G3/8"
4000:G1/2"

Drain Type
Blank:Manual Drain Type
D:Auto Drain Type

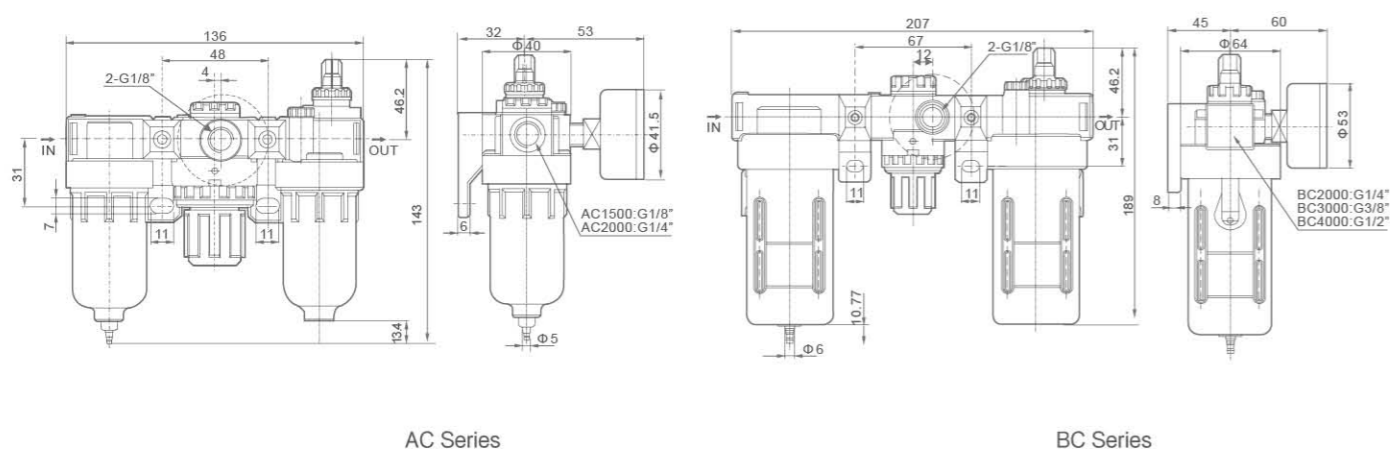
Color
Blank:Standard
W:White



Specification

Model	AC1500	AC2000	BC2000	BC3000	BC4000	
Operating Fluid	Air					
Port Size	G1/8"	G1/4"	G1/4"	G3/8"	G1/2"	
Filtering Element Reughness	40μ					
Range of Adjustable Pressure	0.05~0.85MPa					
Max Adjustable Pressure	0.95MPa					
Ensu red Pressure Resistance	1.5MPa					
Operating Temperature Range	5~60 C					
Capacity of Filter Cup	15 cc			60 cc		
Capacity of Oil Feed Cup	25 cc			90 cc		
Suggested Lube	ISO VG 32 or Same Grade Oil					
Material	Body Aluminum Die-casting Forming					
	Container Cup PE					
	Protective Cup Cover Iron					
Composing Elements	Fitier	AF1500	AF2000	BF2000	BF3000	BF4000
	Regulator	AR1500	AR2000	BR2000	BR3000	BR4000
	Lubricator	AL1500	AL2000	BL2000	BL3000	BL4000

Overall Dimensions



AFC,BFC Series Air Source Treatment Unit(FR.L Combination)



Ordering Code

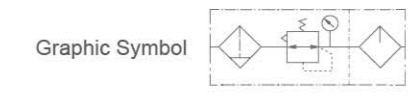
BFC **3000** □ □

Series
AFC:Small Size
BFC:Middle Size

Port Size
1500:G1/8"
2000:G1/4"
3000:G3/8"
4000:G1/2"

Drain Type
Blank:Manual Drain Type
D:Auto Drain Type

Color
Blank:Standard
W:White



Specification

Model	AFC1500	AFC2000	BFC2000	BFC3000	BFC4000	
Operating Fluid	Air					
Port Size	G1/8"	G1/4"	G1/4"	G3/8"	G1/2"	
Filtering Element Reughness	40μ					
Range of Adjustable Pressure	0.05~0.85MPa					
Max Adjustable Pressure	0.95MPa					
Ensu red Pressure Resistance	1.5MPa					
Operating Temperature Range	5~60 C					
Capacity of Filter Cup	15 cc			60 cc		
Capacity of Oil Feed Cup	25 cc			90 cc		
Suggested Lube	ISO VG 32 or Same Grade Oil					
Material	Body Aluminum Die-casting Forming					
	Container Cup PE					
	Protective Cup Cover Iron					
Composing Elements	Fitier & Regulator	AFR1500	AFR2000	BFR2000	BFR3000	BFF4000
	Lubricator	AL1500	AL2000	BL2000	BL3000	BL4000

Overall Dimensions

