

XMAF 2000~5000 Series Air Filter



XMAF4000-04 XMAF2000-02

Ordering Code

XMA F 3000 - 04 □

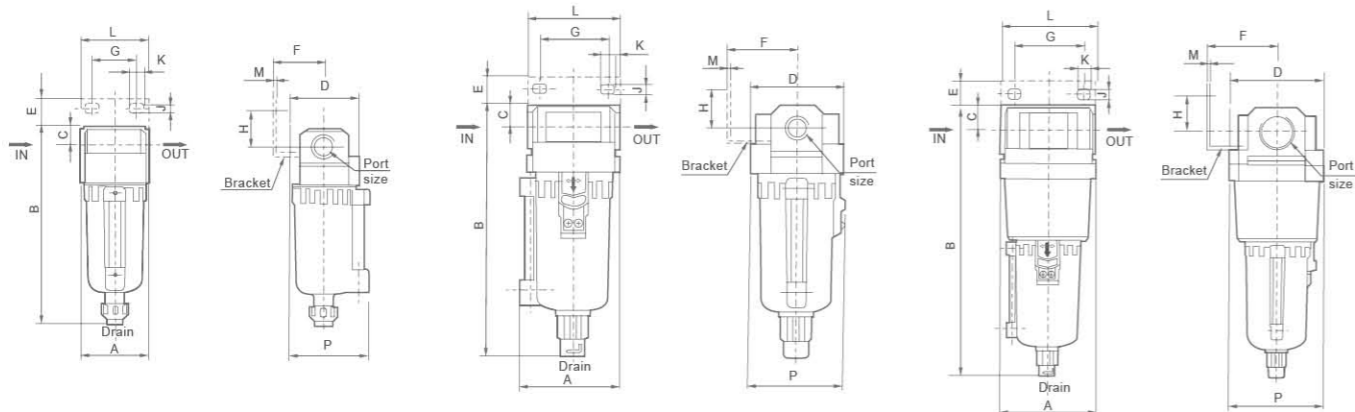
Series: XMA Series
Function code: Filter
Specification Code: 2000, 3000, 4000, 5000
Port Size: 01:G1/8", 02:G1/4", 03:G3/8", 04:G1/2", 06:G3/4", 10:G1"
Drain Type: Blank:Manual, Drain Type, D:Auto Drain Type (Available for 3000 or above)



Specification

Model	XMAF2000-01	XMAF2000-02	XMAF3000-02	XMAF3000-03	XMAF4000-03	XMAF4000-04	XMAF4000-06	XMAF5000-06	XMAF5000-10
Ensured Pressure Resistance	1.5MPa(15kgf/cm ²)								
Highest Working Pressure	1.0MPa(10kgf/cm ²)								
Operating Temperature Range	5~60 °C								
Filter Precision	25μ & 5μ & 50μ								
Container Material	Aluminum Die Casting								
Rated Flow(L/min)	750		1500		4000		6000		7000
Port Size(G)	1/8"	1/4"	1/4"	3/8"	3/8"	1/2"	3/4"	3/4"	1"
Bowl Capacity	15		20		45		45		130

Overall Dimensions



XMAF2000

XMAF3000~4000

XMAF5000

Dimension Sheet

Model	Port Size(G)	A	B	C	D	F	G	H	J	K	L	M	P
XMAF2000	G1/8"-G1/4"	40	119.5	11	40	17	27	22	5.4	8.4	40	2.3	46
XMAF3000	G1/4"-G3/8"	57.4	154	14	53	16	40	23	6.5	8	53	2.3	55
XMAF4000	G1/2"	74	184	18	70	17	54	26	8.5	10.5	70	2.3	72.5
XMAF4000-06	G3/4"	76.5	188	20	70	14	54	25	8.5	10.5	70	2.3	72.5
XMAF5000	G3/4"-G1"	90	263	24	90	23	66	35	11	13	90	3.2	90

XMAL 2000~5000 Series Lubricator



XMAL4000-04 XMAL2000-02

Ordering Code

XMA L 3000 - 04 □

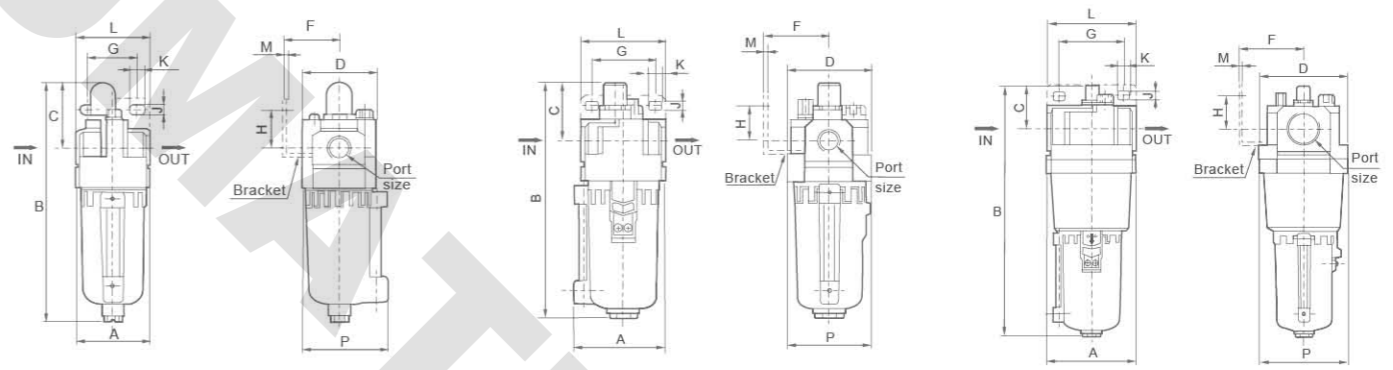
Series: XMA Series
Function code: Lubricator
Specification Code: 2000, 3000, 4000, 5000
Port Size: 01:G1/8", 02:G1/4", 03:G3/8", 04:G1/2", 06:G3/4", 10:G1"



Specification

Model	XMAL2000-01	XMAL2000-02	XMAL3000-02	XMAL3000-03	XMAL4000-03	XMAL4000-04	XMAL4000-06	XMAL5000-06	XMAL5000-10
Ensured Pressure Resistance	1.5MPa(15kgf/cm ²)								
Highest Working Pressure	1.0MPa(10kgf/cm ²)								
Operating Temperature Range	5~60 °C								
Recommended Oil Use	Turbine NO.1 Oil ISOVG32								
Container Material	Aluminum Die Casting								
Minimal Flow of Oil Drop(L/min)	15		30		40		50		190
Rated Flow(L/min)	800		1700		5000		6300		7000
Port Size(G)	1/8"	1/4"	1/4"	3/8"	3/8"	1/2"	3/4"	3/4"	1"
Bowl Capacity	25		50		130		130		130

Overall Dimensions



XMAL2000

XMAL3000~4000

XMAL5000

Dimension Sheet

Model	Port Size(G)	A	B	C	D	F	G	H	J	K	L	M	P
XMAL2000	G1/8"-G1/4"	40	137	39	50	30	27	22	5.4	8.4	40	2.3	40
XMAL3000	G1/4"-G3/8"	57.5	154.5	39	53	41	40	23	6.5	8	53	2.3	55
XMAL4000	G1/2"	74	185.5	41	70	50	54	26	8.5	10.5	70	2.3	72.5
XMAL4000-06	G3/4"	76.5	185.5	39	70	50	54	25	8.5	10.5	70	2.3	72.5
XMAL5000	G3/4"-G1"	90	262.5	45	90	66.5	66	35	11	13	90	3.2	90