

XGR Series Regulator



XGR3-03

XGR2-02

Ordering Code

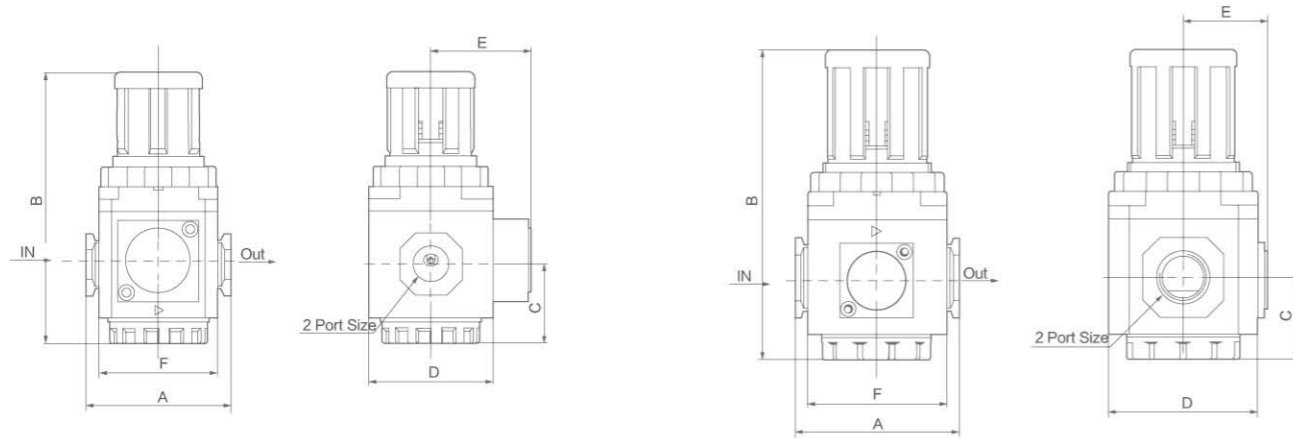
XGR2 — **01** **L**

Series Code Regulator
Port Size G1/8"
 G1/4"
 G1/4"
 G3/8"
 G1/2"
Pressure Range Blank:Standard
 L:Low-Pressure Type
Bracket Blank:Without bracket
 J:With bracket

Specification

Model	XGR2-01	XGR2-02	XGR3-02	XGR3-03	XGR3-04
Working Medium	Compressed Air				
Port Size	G1/8"	G1/4"	G1/4"	G3/8"	G1/2"
Pressure Range	0.05~0.9MPa				
Ensured pressure Resistance	1.5MPa				
Operating Temperature Range	5~60℃				

Overall Dimensions



XGR2

XGR3

Dimension Sheet

Model	Port Size	A	B	C	D	F	I
XGR2	G1/8~1/4"	47	89	26	40	32.5	38
XGR3	G1/4~1/2"	60	112	29.5	53	30	51

XMAC 2000~5000 Series Air Source Treatment Unit(F.R.L Combination)



XMAC4000-04

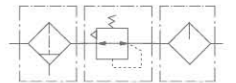
XMAC2000-02

Ordering Code

XMA **C** **3000** — **04**

Series XMA Series
Function code Filter+Regulator+Lubricator
Specification Code 2000
 3000
 4000
 5000
Port Size 01:G1/8"
 02:G1/4"
 03:G3/8"
 04:G1/2"
 06:G3/4"
 10:G1"
Drain Type Blank:Manual
 Drain Type
 D:Auto Drain Type
 (Available for 3000 or above)

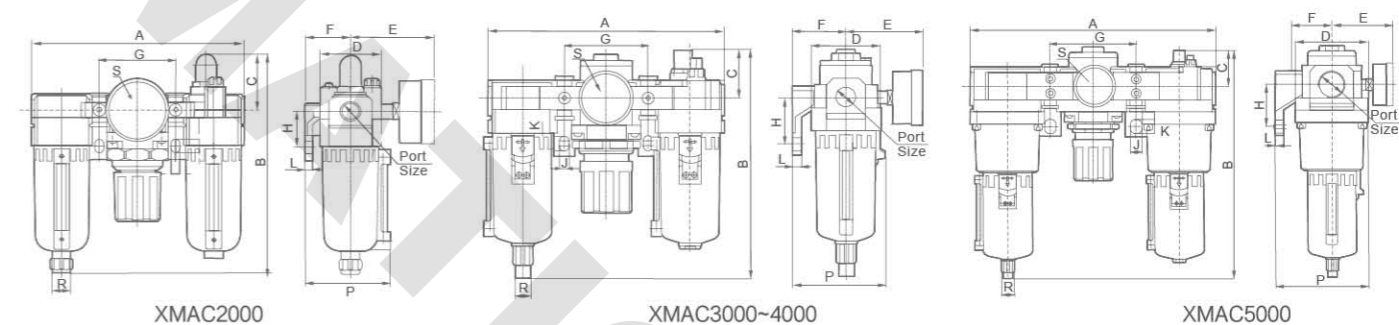
Graphic Symbol



Specification

Model	XMAC2000-01	XMAC2000-02	XMAC3000-02	XMAC3000-03	XMAC4000-03	XMAC4000-04	XMAC4000-06	XMAC5000-06	XMAC5000-10
Ensured Pressure Resistance	1.5MPa(15kgf/cm ²)								
Highest Working Pressure	1.0MPa(10kgf/cm ²)								
Operating Temperature Range	5~60℃								
Filter Precision	25μ & 5μ & 50μ								
Recommended Oil Use	Turbine NO.1 Oil ISOVG32								
Container Material	Aluminum Die Casting								
Pressure Regulating Range	0.05~0.85MPa(0.05~0.85kgf/cm ²)								
Valve Type	With Overflow								
Assembly	Filter	XMAF2000	XMAF3000	XMAF4000	XMAF4000-06	XMAF5000			
	Regulator	XMAR2000	XMAR3000	XMAR4000	XMAR4000-06	XMAR5000			
	Lubricator	XMAL2000	XMAL3000	XMAL4000	XMAL4000-06	XMAL5000			
Rated Flow(L/min)	500		2000		4000		4500		5000
Port Size(G)	1/8'	1/4'	1/4'	3/8'	3/8'	1/2'	3/4'	3/4'	1'

Overall Dimensions



XMAC2000

XMAC3000~4000

XMAC5000

Dimension Sheet

Model	Port Size (G)	A	B	C	D	E	F	G	H	J	K	L	P	R	S
XMAC2000	G1/8"-G1/4"	140	147	38	40	56.8	30	50	24	5.5	8.5	5	56	φ6	G1/8
XMAC3000	G1/4"-G3/8"	181	178	38	53	60.8	41	64	35	7	11	7	70.5	φ8	G1/8
XMAC4000	G1/2"	238	207	41	70	65.5	50	84	40	9	13	7	87.5	φ8	G1/4
XMAC4000-06	G3/4"	253	208.5	40.5	70	69.5	50	89	40	9	13	7	87.5	φ8	G1/4
XMAC5000	G3/4"-G1"	300	287	48	90	75.5	69.8	105	50	12	16	10.5	115	φ8	G1/4