

### XGFR Series Filter&Regulator



Ordering Code

**XGFR2** — **01** **L**

Series Code: Filter+Regulator

Port Size: G1/8", G1/4", G1/4", G3/8", G1/2"

Pressure Range: Blank:Standard, L:Low-Pressure Type

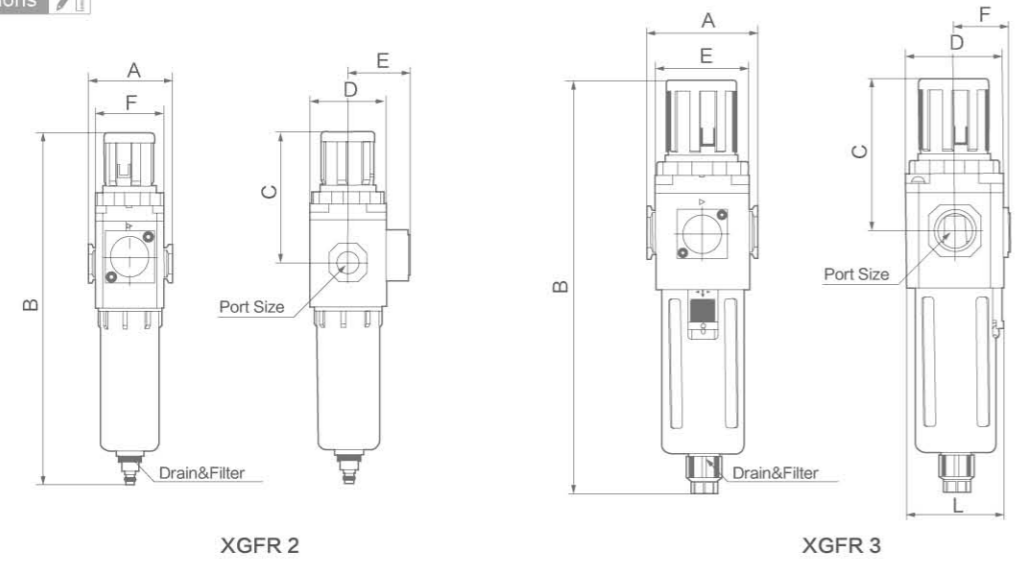
Bracket: Blank:Without bracket, J:With bracket



Specification

Model	XGFR2-01	XGFR2-02	XGFR3-02	XGFR3-03	XGFR3-04
Working Medium	Compressed Air				
Port Size	G1/8"	G1/4"	G1/4"	G3/8"	G1/2"
Filter Precision	40µm or 5µm				
Pressure Range	Manual And Differential Pressure Drainage Type: 0.15~0.19MPa		Manual Drain: 0.05~0.9MPa		
Ensured pressure Resistance	1.5MPa				
Operating Temperature Range	5~60℃				
Water Cup Capacity	15CC		40CC		

Overall Dimensions



Dimension Sheet

Model	Port Size	A	B	C	D	F	L
XGFR2	G1/8~1/4"	47	183	68	40	32.5	--
XGFR3	G1/4~1/2"	60	224	82.5	53	51	53

### XGL Series Lubricator



Ordering Code

**XGL2** — **01**

Series Code: Lubricator

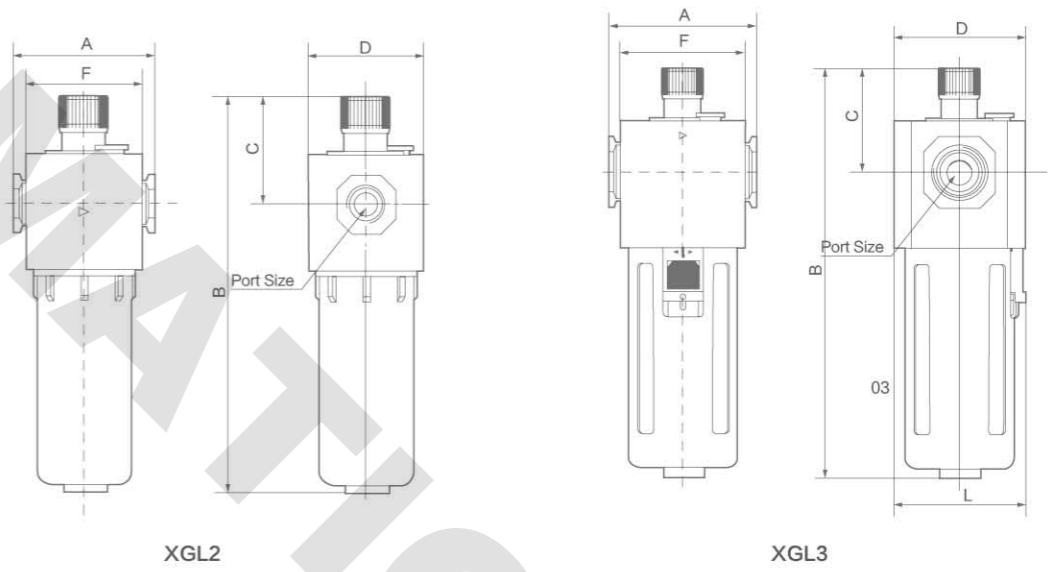
Port Size: G1/8", G1/4", G1/4", G3/8", G1/2"



Specification

Model	XGL2-01	XGL2-02	XGL3-02	XGL3-03	XGL3-04
Working Medium	Compressed Air				
Port Size	G1/8"	G1/4"	G1/4"	G3/8"	G1/2"
Pressure Range	0.05~0.9MPa				
Ensured pressure Resistance	1.5MPa				
Recommended Oil Use	ISO VG32				
Oil Cup Capacity	25CC		75CC		

Overall Dimensions



Dimension Sheet

Model	Port Size	A	B	C	D	F	L
XGL2	G1/8~1/4"	47	137	37	40	38	--
XGL3	G1/4~1/2"	60	168	42.5	53	51	53