

XGWL Serie Air Source Treatment Unit(FR.L Combination)



XGWL3-03

XGWL2-02

Ordering Code

XGWL2 — **01** □ **L**

Series Code
Filter&Regulator+
Lubricator

Port Size
G1/8"
G1/4"
G1/4"
G3/8"
G1/2"

Drain Type
Blank:Differential Drain
D:Automatic Drain

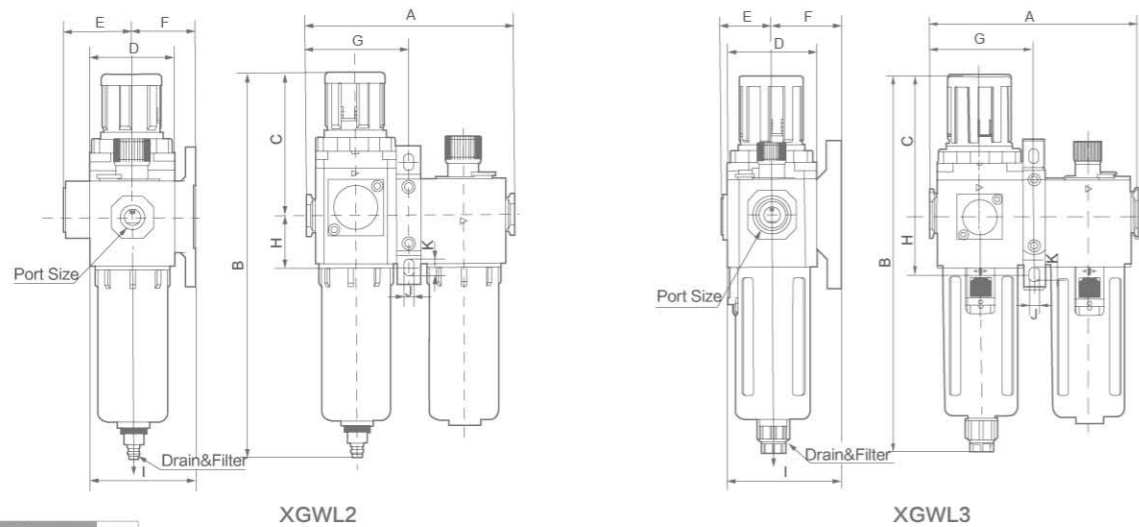
Pressure Range
Blank:Standard
L:Low-Pressure Type

Graphic Symbol

Specification

Model	XGWL2-01	XGWL2-02	XGWL2-02	XGWL3-03	XGWL3-04	
Working Medium	Compressed Air					
Port Size	G1/8"	G1/4"	G1/4"	G3/8"	G1/2"	
Filter Precision	40µm or 5µm					
Pressure Range	Manual And Differential Pressure Drainage Type: 0.15~0.19MPa Manual Drain: 0.05~0.9MPa					
Ensured pressure Resistance	1.5MPa					
Operating Temperature Range	5~60℃					
Water Cup Capacity	15CC		40CC			
Oil Cup Capacity	25CC		75CC			
Constitute	Filter&Regulator	XGFR2-01	XGFR2-02	XGFR3-02	XGFR3-03	XGFR3-04
	Lubricator	XGL2-01	XGL2-02	XGL3-02	XGL3-03	XGL3-04

Overall Dimensions



Dimension Sheet

Model	Port Size	A	B	C	D	E	F	G	H	I	J	K
XGWL2	G1/8~1/4"	97	183	68	40	31.5	30	48.5	25	50	5	8
XGWL3	G1/4~1/2"	124	224	82.5	53	29	41.5	62	35	68	6	8.5

XGF Series Air Filter



XGF3-03

XGF2-02

Ordering Code

XGF2 — **01** **D** **W**

Series Code
Filter

Port Size
G1/8"
G1/4"
G1/4"
G3/8"
G1/2"

Drain Type
Blank:Differential Drain
D:Automatic Drain

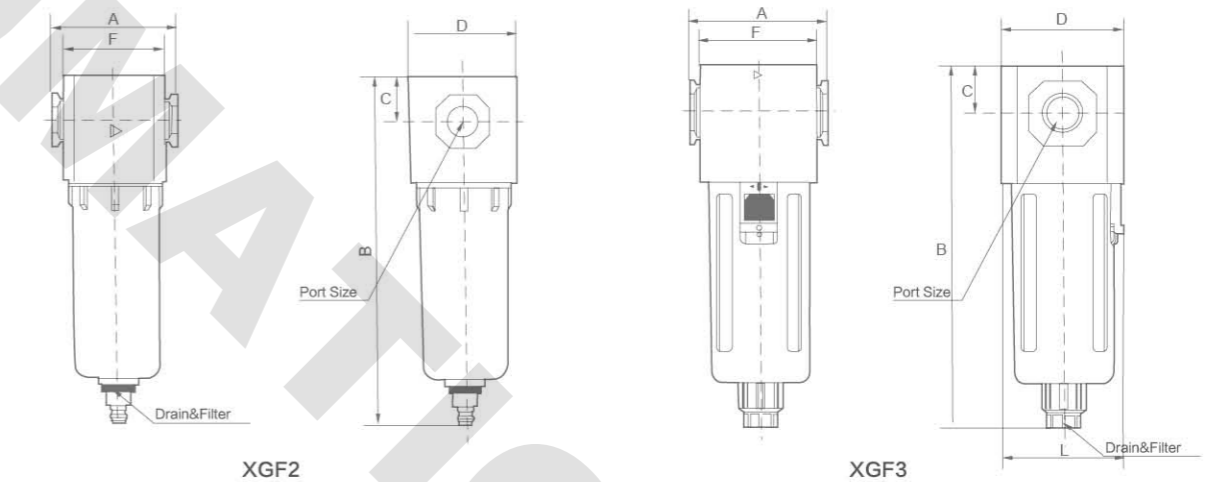
Filter Precision
Blank: 40µm
W:5µm

Graphic Symbol

Specification

Model	XGF2-01	XGF2-02	XGF3-02	XGF3-03	XGF3-04
Working Medium	Compressed Air				
Port Size	G1/8"	G1/4"	G1/4"	G3/8"	G1/2"
Filter Precision	40µm or 5µm				
Pressure Range	Manual And Differential Pressure Drainage Type: 0.15~0.19MPa Manual Drain: 0.05~0.9MPa				
Ensured pressure Resistance	1.5MPa				
Operating Temperature Range	5~60℃				
Water Cup Capacity	20CC		40CC		

Overall Dimensions



Dimension Sheet

Model	Port Size	A	B	C	D	F	L
XGF2	G1/8~1/4"	47	132	17	40	38	--
XGF3	G1/4~1/2"	60	161	21	53	51	53