

### XAR 8000~9000 Series Regulator



XAR9000-20

Ordering Code

**XA**

Series  
XA Series

**R**

Function code  
Regulator

**8000**

Body Size  
8000  
9000

**14**

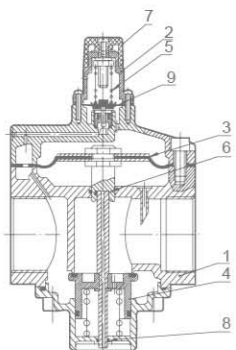
Port Size  
14: G1½"  
20: G2"

Specification

Model	XAR8000-14	XAR9000-20
Rated Flow(L/min)	18000	22000
Port Size	G1½"	G2"
Highest Working Pressure	1.0MPa	
Ensured pressure Resistance	1.5MPa	
Operating Temperature Range	5~60℃	
Range of Adjustable Pressure	0.05~0.85MPa	
Valve Type	With Overflow	
Pressure Gauge size	1/4	

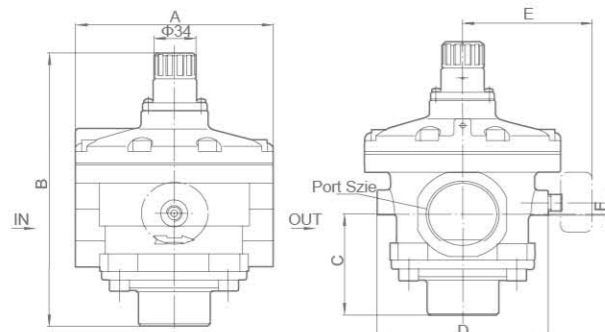
Under the circumstance that the supply pressure is 0.7MPa(7.1kgf/cm²)and step down is 0.5MPa(0.5kgf/cm²)

Internal structure



No.	Name	Material
1	Valve Body	Aluminum Die Casting
2	Bonnet	Aluminum Die Casting
3	Film	Rubber
4	Valve Core	Brass,Rubber
5	Spring	Stainless steel
6	O-ring	Rubber
7	Hand Wheel	Enhance nylon
8	O-ring	Rubber
9	Film	Rubber

Overall Dimensions



Dimension Sheet

Model	Port Size(G)	A	B
XAR8000	1½	Φ126	216
XAR9000	2	Φ160	242

Model	C	D	E	F
XAR8000	75	110	90.5	5
XAR9000	90	140	105.5	10

### XGC Serie Air Source Treatment Unit(F.R.L Combination)



XGC3-03

Ordering Code

**XGC2**

Series Code  
Filter+Regulator+  
Lubricator

**01**

Port Size  
01:G1/8"  
02:G1/4"  
03:G3/8"  
04:G1/2"

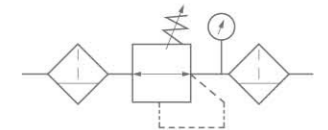
**□**

Drain Type  
Blank:Differential Drain  
D:Automatic Drain

**L**

Pressure Range  
Blank:Standard  
L:Low-Pressure Type

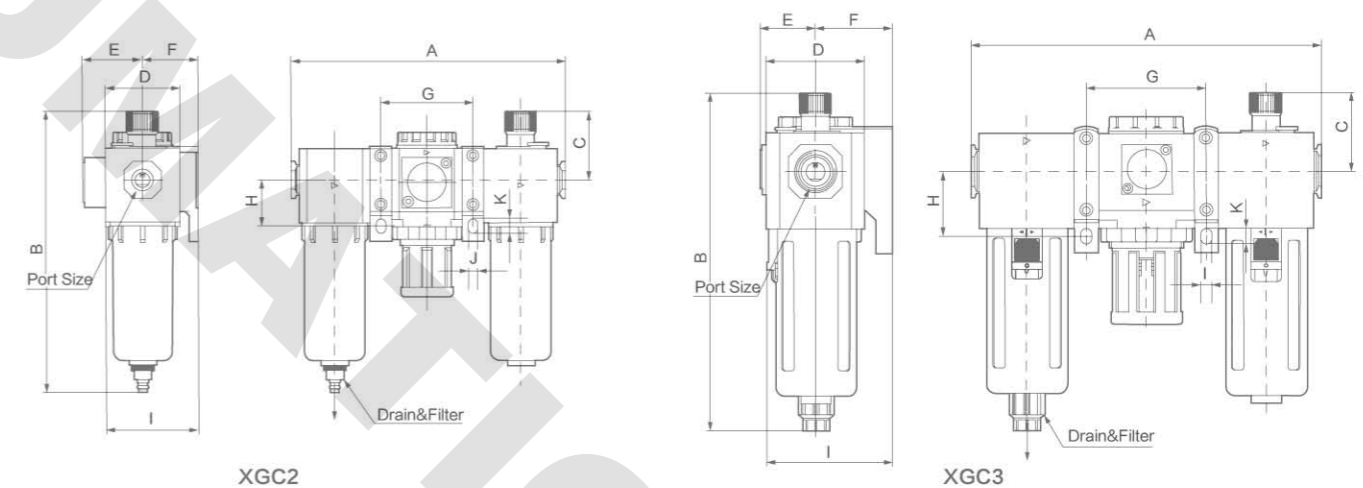
Graphic Symbol



Specification

Model	XGC2-01	XGC2-02	XGC3-02	XGC3-03	XGC3-04	
Working Medium	Compressed Air					
Port Size	G1/8"	G1/4"	G1/4"	G3/8"	G1/2"	
Filter Precision	40µm or 5µm					
Pressure Range	Manual And Differential Pressure Drainage Type: 0.15~0.19MPa Manual Drain: 0.05~0.9MPa					
Ensured pressure Resistance	1.5MPa					
Operating Temperature Range	5~60℃					
Water Cup Capacity	15CC		40CC			
Oil Cup Capacity	25CC		75CC			
Constitute	Filter	XGF2-01	XGF2-02	XGF3-02	XGF3-03	XGF3-04
	Regulator	XGR2-01	XGR2-02	XGR3-02	XGR3-03	XGR3-04
	Lubricator	XGL2-01	XGL2-02	XGL3-02	XGL3-03	XGL3-04

Overall Dimensions



Dimension Sheet

Model	Port Size	A	B	C	D	E	F	G	H	I	J	K
XGC2	G1/8~1/4"	146.5	152	37	40	31.5	30	50	25	50	5	8
XGC3	G1/4~1/2"	188.5	182.5	42.5	53	29	41.5	64	35	68	6	8.5