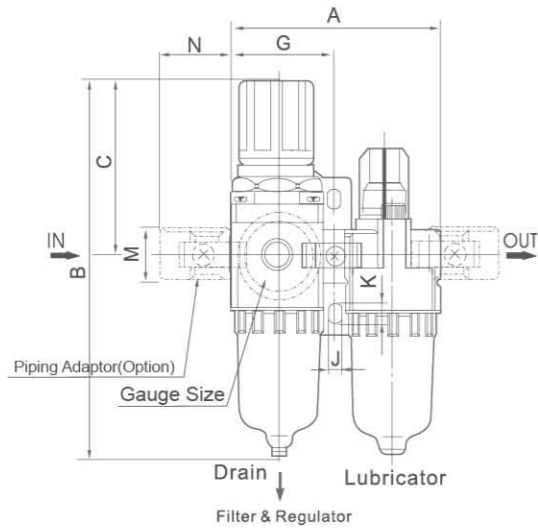
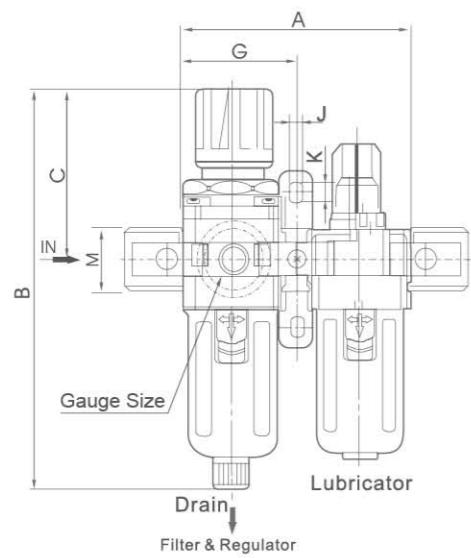
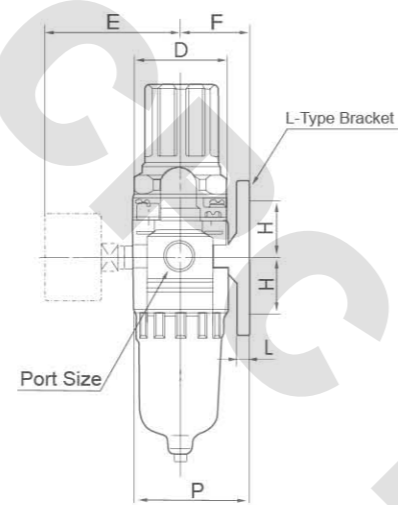


XAC1010~5010 Series Air Source Treatment Unit(FR.L Combination)

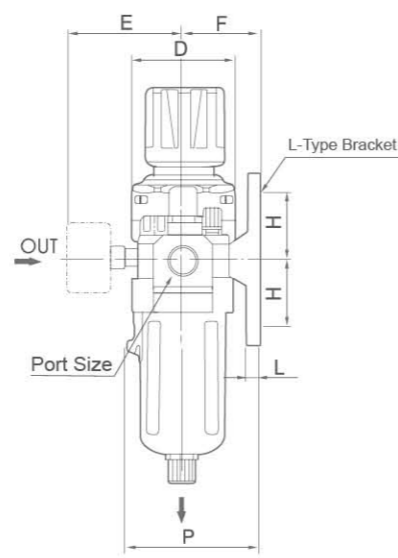
Overall Dimensions



XAC1010~2010



XAC3010~5010



Dimension Sheet

| Model | Port Size(G) | A | B | C | D | E | F | G | H | J | K | L | M | N | P |
|------------|----------------|-----|-------|------|----|------|------|------|----|-----|-----|------|------|----|------|
| XAC1010 | M5 | 58 | 109.5 | 50.5 | 25 | 26 | 25 | 29 | 20 | 4.5 | 7.5 | 5 | 17.5 | 16 | 38.5 |
| XAC2010 | G1/8" ~G1/4" | 90 | 164.5 | 78 | 40 | 56.8 | 30 | 45 | 24 | 5.5 | 8.5 | 5 | 22 | 23 | 50 |
| XAC3010 | G1/4" ~G3/8" | 117 | 211 | 92.5 | 53 | 60.8 | 41 | 58.5 | 35 | 7 | 11 | 7 | 34.2 | 26 | 70.5 |
| XAC4010 | G3/8" ~1/2" | 154 | 262 | 112 | 70 | 70.5 | 50 | 77 | 40 | 9 | 13 | 7 | 42.2 | 33 | 88 |
| XAC4010-06 | G3/4" | 164 | 267 | 114 | 70 | 70.5 | 50 | 82 | 40 | 9 | 13 | 7 | 46.2 | 36 | 88 |
| XAC5010 | G3/4" ~G1" | 195 | 338 | 116 | 90 | 75.5 | 69.8 | 97.5 | 50 | 12 | 16 | 10.5 | 55.5 | 40 | 115 |

XAF1000~5000 Series Air Filter



XAF5000-10 XAF4000-04 XAF2000-02

Ordering Code

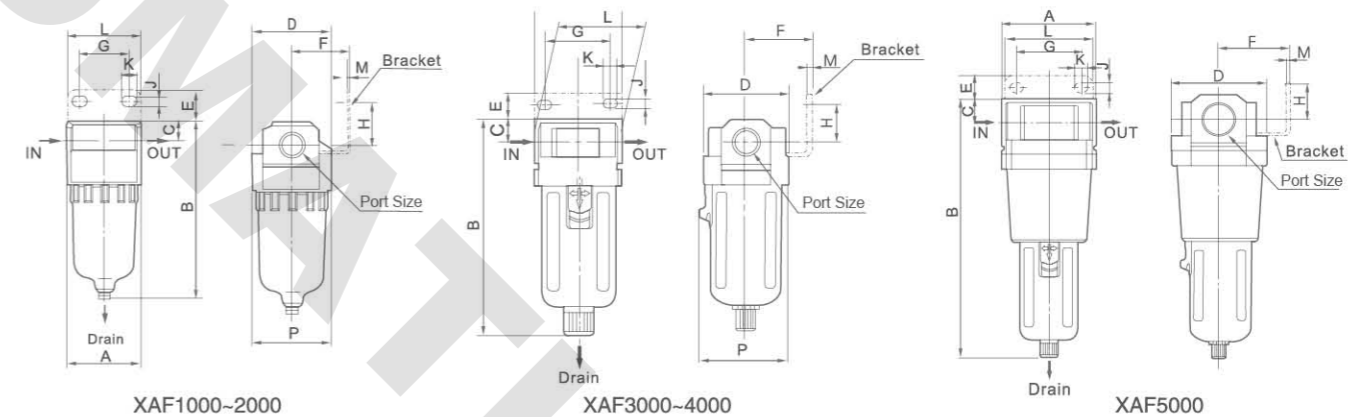
| Series | Body Size | Port Size | Drain Type | Metal Cup | Color |
|-----------|-----------|-----------|-------------------------------|----------------------|----------------|
| XA Series | 1000 | M5:M5×0.8 | Blank:Manual | U: With Iron Cup | Blank:Standard |
| | 2000 | 01:G1/8" | Drain Type | L: With Aluminum Cup | W:White |
| | 3000 | 02:G1/4" | D:Auto Drain Type | (Available for 2000) | |
| | 4000 | 03:G3/8" | (Available for 2000 or above) | | |
| | 5000 | 04:G1/2" | | | |
| | | 06:G3/4" | | | |
| | | 10:G1" | | | |



Specification

| Model | XAF1000 -M5 | XAF2000 -01 | XAF2000 -02 | XAF3000 -02 | XAF3000 -03 | XAF4000 -03 | XAF4000 -04 | XAF4000 -06 | XAF5000 -06 | XAF5000 -10 |
|-----------------------------|--------------------|-------------|-------------|-------------|-------------|-------------------------------------|-------------|-------------|-------------|-------------|
| Rated Flow(L/min) | 110 | 750 | 750 | 1500 | 1500 | 4000 | 4000 | 6000 | 7000 | 7000 |
| Port Size | M5 | G1/8" | G1/4" | G1/4" | G3/8" | G3/8" | G1/2" | G3/4" | G3/4" | G1" |
| Filter Precision | 25μ | | | | | | | | | |
| Highest Working Pressure | 1.0MPa | | | | | | | | | |
| Ensured pressure Resistance | 1.5MPa | | | | | | | | | |
| Operating Temperature Range | 5~60℃ | | | | | | | | | |
| Container Material | Polycarbonate | | | | | | | | | |
| Protective Cover | Not Available | | | | | Available | | | | |
| Drain Function | Differential Drain | | | | | Differential Drain, Automatic Drain | | | | |

Overall Dimensions



Dimension Sheet

| Model | Port Size(G) | A | B | C | D | E | F | G | H | J | K | L | M | P |
|------------|----------------|----|-------|----|----|----|------|----|----|-----|------|----|-----|------|
| XAF1000 | M5 | 25 | 66 | 7 | 25 | - | - | - | - | - | - | - | - | 26.5 |
| XAF2000 | G1/8" ~G1/4" | 40 | 97.5 | 11 | 40 | 17 | 30 | 27 | 22 | 5.4 | 8.4 | 40 | 2.3 | 40 |
| XAF3000 | G1/4" ~G3/8" | 53 | 132.5 | 14 | 53 | 16 | 41 | 40 | 23 | 6.5 | 8 | 53 | 2.3 | 56 |
| XAF4000 | G3/8" ~1/2" | 70 | 168.5 | 18 | 70 | 17 | 50 | 54 | 26 | 8.5 | 10.5 | 70 | 2.3 | 73 |
| XAF4000-06 | G3/4" | 75 | 172.5 | 20 | 70 | 14 | 50 | 54 | 25 | 8.5 | 10.5 | 70 | 2.3 | 73 |
| XAF5000 | G3/4" ~G1" | 90 | 247.5 | 24 | 90 | 23 | 66.5 | 66 | 35 | 11 | 13 | 90 | 3.2 | 90 |