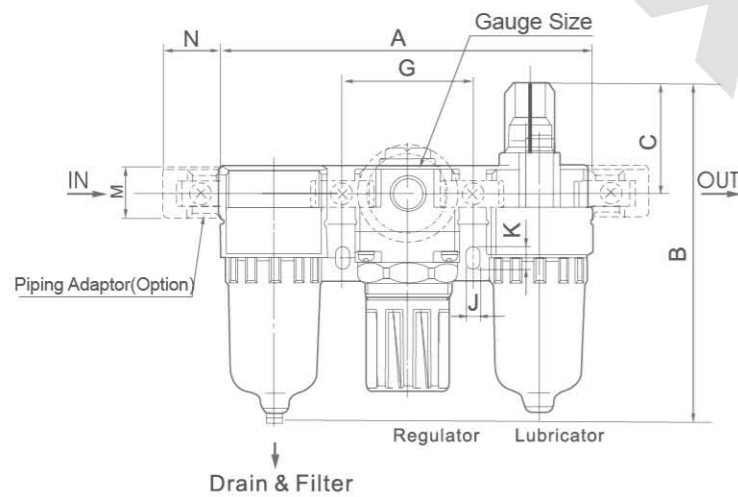
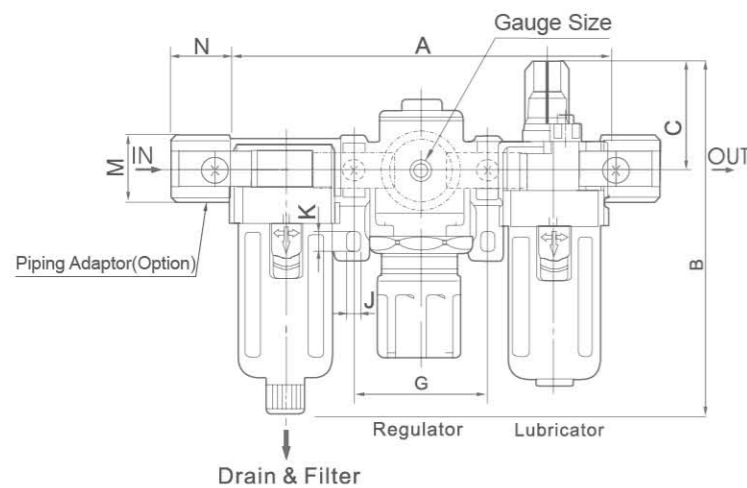


XAC1000~5000 Series Air Source Treatment Unit(F.R.L Combination)

Overall Dimensions



XAC1010~2010



XAC3000~5000

Dimension Sheet

Model	Port Size(G)	A	B	C	D	E	F	G	H	J	K	L	M	N	P
XAC1000	M5	91	84.5	25.5	25	26	25	33	20	4.5	7.5	5	17.5	16	38.5
XAC2000	G1/8" ~G1/4"	140	128.5	38	40	56.8	30	50	24	5.5	8.5	5	22	23	50
XAC3000	G1/4" ~G3/8"	181	166	38	53	60.8	41	64	35	7	11	7	34.2	26	70.5
XAC4000	G3/8" ~1/2"	238	201	41	70	65.5	50	84	40	9	13	7	42.2	33	88
XAC4000-06	G3/4"	253	201	40.5	70	69.5	50	89	40	9	13	7	46.2	36	88
XAC5000	G3/4" ~G1"	300	276	48	90	75.5	70	105	50	12	16	10.5	55.5	40	115

XAC1010~5010 Series Air Source Treatment Unit(FR.L Combination)



Ordering Code

XA	C	4000	04			
Series XA series	Function code F.R.L Combination	Body Size 1010 2010 3010 4010 5010	Port Size M5:M5×0.8 01:G1/8" 02:G1/4" 03:G3/8" 04:G1/2" 06:G3/4" 10:G1"	Drain Type Blank:Manual Drain Type D:Auto Drain Type (Available for 2000 or above)	Metal Cup U: With Iron Cup L: With Aluminum Cup (Available for 2000)	Color Blank:Standard W:White

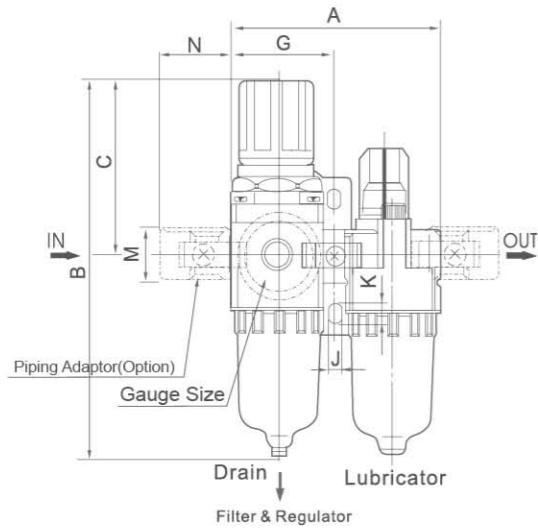
Specification

Model	XAC1010 -M5	XAC2010 -01	XAC2010 -02	XAC3010 -02	XAC3010 -03	XAC4010 -03	XAC4010 -04	XAC4010 -06	XAC5010 -06	XAC5010 -10	
Rated Flow(L/min)	90	500	500	1700	1700	3000	3000	3000	4000	4000	
Port Size	M5	G1/8"	G1/4"	G1/4"	G3/8"	G3/8"	G1/2"	G3/4"	G3/4"	G1"	
Filter Precision	25μ										
Highest Working Pressure	1.0MPa										
Ensured pressure Resistance	1.5MPa										
Operating Temperature Range	5~60℃										
Range of Adjustable Pressure	0.05~0.7MPa					0.05~0.85MPa					
Recommended Oil Use	ISO VG 32										
Container Material	Polycarbonate					Polycarbonate					
Protective Cover	Not Available					Available					
Drain Function	Differential Drain					Differential Drain/Automatic Drain					
Valve Type	With Over flow										
Composing Elements	Filter&Regulator	XAW1000-M5	XAW2000-01	XAW2000-02	XAW3000-02	XAW3000-03	XAW4000-03	XAW4000-04	XAW4000-06	XAW5000-06	XAW5000-10
	Lubricator	XAL1000-M5	XAL2000-01	XAL2000-02	XAL3000-02	XAL3000-03	XAL4000-03	XAL4000-04	XAL4000-06	XAL5000-06	XAL5000-10

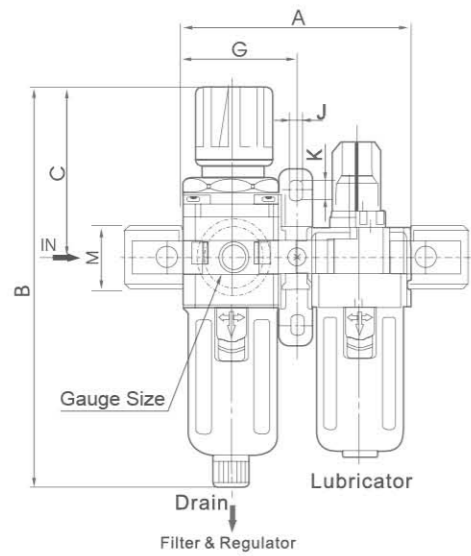
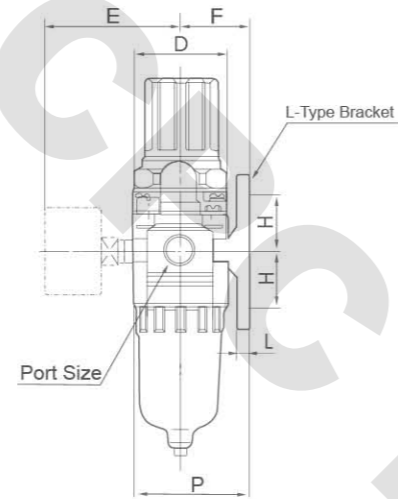
Note: We have upgraded Oil Drop Accessories on Lubricator of XA series 2000-5000 same to the XO series.

XAC1010~5010 Series Air Source Treatment Unit(FR.L Combination)

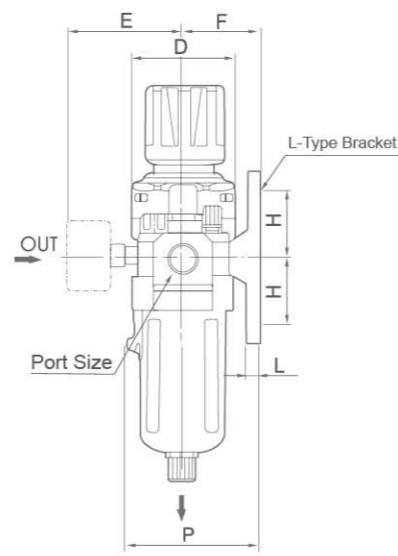
Overall Dimensions



XAC1010~2010



XAC3010~5010



Dimension Sheet

Model	Port Size(G)	A	B	C	D	E	F	G	H	J	K	L	M	N	P
XAC1010	M5	58	109.5	50.5	25	26	25	29	20	4.5	7.5	5	17.5	16	38.5
XAC2010	G1/8" ~G1/4"	90	164.5	78	40	56.8	30	45	24	5.5	8.5	5	22	23	50
XAC3010	G1/4" ~G3/8"	117	211	92.5	53	60.8	41	58.5	35	7	11	7	34.2	26	70.5
XAC4010	G3/8" ~1/2"	154	262	112	70	70.5	50	77	40	9	13	7	42.2	33	88
XAC4010-06	G3/4"	164	267	114	70	70.5	50	82	40	9	13	7	46.2	36	88
XAC5010	G3/4" ~G1"	195	338	116	90	75.5	69.8	97.5	50	12	16	10.5	55.5	40	115

XAF1000~5000 Series Air Filter



XAF5000-10 XAF4000-04 XAF2000-02

Ordering Code

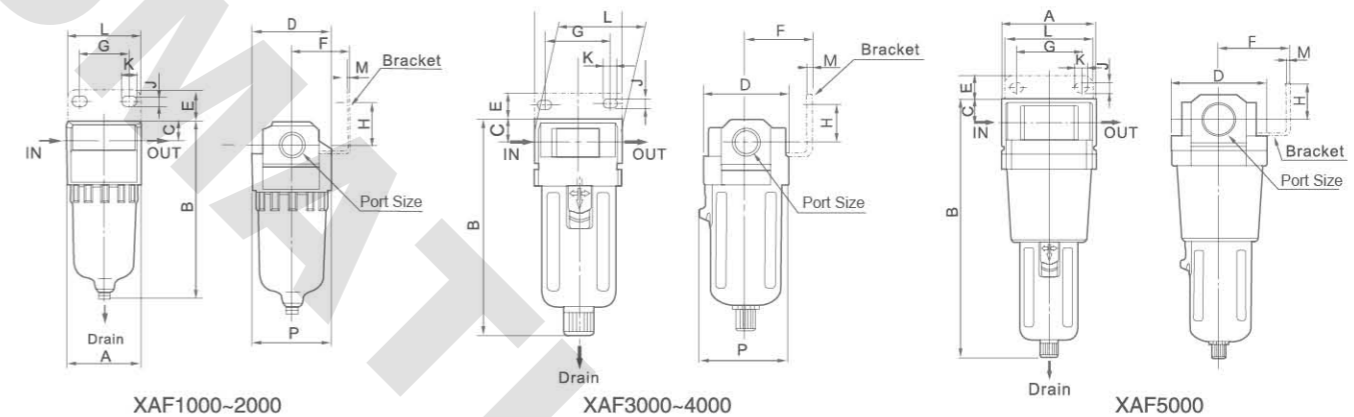
XA	F	4000	-	04					
Series	Body Size	Port Size	Drain Type	Metal Cup	Color				
XA Series	1000 2000	M5:M5×0.8 01:G1/8"	Blank:Manual Drain Type	U: With Iron Cup L: With Aluminum Cup	Blank:Standard W:White				
Function code	3000	02:G1/4"	D:Auto Drain Type	(Available for 2000)	(Available for 2000)				
Filter	4000 5000	03:G3/8" 04:G1/2" 06:G3/4" 10:G1"	(Available for or above)						



Specification

Model	XAF1000 -M5	XAF2000 -01	XAF2000 -02	XAF3000 -02	XAF3000 -03	XAF4000 -03	XAF4000 -04	XAF4000 -06	XAF5000 -06	XAF5000 -10
Rated Flow(L/min)	110	750	750	1500	1500	4000	4000	6000	7000	7000
Port Size	M5	G1/8"	G1/4"	G1/4"	G3/8"	G3/8"	G1/2"	G3/4"	G3/4"	G1"
Filter Precision	25μ									
Highest Working Pressure	1.0MPa									
Ensured pressure Resistance	1.5MPa									
Operating Temperature Range	5~60℃									
Container Material	Polycarbonate									
Protective Cover	Not Available					Available				
Drain Function	Differential Drain					Differential Drain, Automatic Drain				

Overall Dimensions



Dimension Sheet

Model	Port Size(G)	A	B	C	D	E	F	G	H	J	K	L	M	P
XAF1000	M5	25	66	7	25	-	-	-	-	-	-	-	-	26.5
XAF2000	G1/8" ~G1/4"	40	97.5	11	40	17	30	27	22	5.4	8.4	40	2.3	40
XAF3000	G1/4" ~G3/8"	53	132.5	14	53	16	41	40	23	6.5	8	53	2.3	56
XAF4000	G3/8" ~1/2"	70	168.5	18	70	17	50	54	26	8.5	10.5	70	2.3	73
XAF4000-06	G3/4"	75	172.5	20	70	14	50	54	25	8.5	10.5	70	2.3	73
XAF5000	G3/4" ~G1"	90	247.5	24	90	23	66.5	66	35	11	13	90	3.2	90