

XA Series Air Source Treatment Unit

F.R.L Part list

XAR3000				XAF3000			
No	Name	Qty	Material	No	Name	Qty	Material
1	Regulator seat	1	ZZnA14-1	1	Regulator Body	1	Aluminum
2	O-ring	1	NBR	2	O-ring	1	NBR
3	O-ring	1	NBR	3	Whirlwing blade	1	ABS
4	Washer	1	Carbon steel	4	Filter Element	1	Brass
5	Spring	1	Stainless steel	5	Bolt blard	1	Carbon Steel
6	Retainer ring	1	Carbon steel	6	Drain blard	1	ABS
7	Valve core	1	Brass	7	Water cup	1	Poly Carbonate
8	Spool	1	Brass+NBR	8	Valve Core	1	Brass
9	Regulator Body	1	Aluminum	9	Spring	1	Stainless steel
10	Plug	1	Carbon steel	10	O-ring	1	NBR
11	O-ring	1	NBR	11	Drain valve	1	Brass
12	Retainer ring	1	Carbon steel	12	O-ring	1	NBR
13	Pipe	1	POM	13	Hex Nut	1	Brass
14	Diaphragm seat	1	Brass	14	Nut	1	Brass
15	Diaphragm	1	NBR	15	Bowl guard	1	Carbon steel
16	Spring seat	1	Carbon steel	16	Spring	1	Carbon steel
17	Spring	1	Carbon steel	17	Pin	1	ABS
18	Regulate Nut	1	Carbon steel	18	Lock	1	ABS
19	Washer	1	POM				
20	Regulate bolt	1	Carbon steel				
21	Valve cover	1	Reinforce nylon				
22	Spring washer	4	Carbon steel				
23	Cross screw	4	Carbon steel				
24	Nut	1	Reinforce nylon				
25	Symbol ring	1	Reinforce nylon				
26	Regulate handle	1	Reinforce nylon				

XAL3000				XAW3000			
No	Name	Qty	Material	No	Name	Qty	Material
1	Plug	1	ABS	1	Valve core	1	Brass
2	O-ring	1	NBR	2	Spring	1	Stainless steel
3	Oil regulate Screw	1	ABS	3	O-ring	1	NBR
4	Oil drop tube	1	Polycarbonate	4	Drain valve	1	Brass
5	O-ring	1	NBR	5	O-ring	1	NBR
6	Oil drop tube	1	Polycarbonate	6	Hex Nut	1	Brass
7	O-ring	1	NBR	7	Nut	1	Brass
8	Lubricator Body	1	Aluminum	8	Pin	1	ABS
9	Regulate needle	1	Brass	9	Lock	1	ABS
10	O-ring	1	NBR	10	Spring	1	Stain Steel
11	Oil regulate valve seat	1	Brass	11	Bowl guard	1	Carbon steel
12	Reed	1	Poly urethane	12	Whirlwing blade	1	ABS
13	Reed seat	1	ZZnA14-1	13	Filter element	1	Brass
14	Bracket	1	ZZnA14-1	14	Bolt	1	Carbon Steel
15	Small hole seat	1	Brass	15	Drain board	1	ABS
16	Steel Ball	1	Carbon steel	16	O-ring	1	Brass
17	Spring	1	Stainless steel	17	Water cup	1	Polycarbonate
18	One way valve seat	1	Brass	18	Diaphragm Pollet	1	Carbon steel
19	Reed seat board	1	ZZnA14-1	19	Diaphragm	1	NBR
20	Screw	2	Carbon steel	20	Diaphragm seat	1	Brass
21	Filter Element	1	NBR	21	Pipe	1	POM
22	O-ring	1	NBR	22	Retainer ring	1	Carbon steel
23	Middle Part	1	Aluminum	23	O-ring	1	NBR
24	Spring washer	4	Carbon steel	24	Regulator Body	1	Aluminum
25	Hex Screw	4	Carbon steel	25	Plug	1	Carbon steel
26	O-ring	1	NBR	26	Spool	1	Brass+NBR
27	Steel Ball	1	Carbon steel	27	Valve core	1	Brass
28	Fitting	1	POM	28	O-ring	1	NBR
29	Pin	1	Carbon steel	29	Retainer ring	1	Carbon steel
30	Oil tube	1	PU	30	Spring	1	Stain steel
31	O-ring	1	NBR	31	Overflow valve seat	1	ZZnA14-1
32	O-ring	1	NBR	32	Regulate handle	1	Reinforce nylon
33	Oil cup	1	Polycarbonate	33	Symbol ring	1	Reinforce nylon
34	Bowl guard	1	Carbon steel	34	Nut	1	Reinforce nylon
35	Spring	1	Stainless steel	35	Valve cover	1	Reinforce nylon
36	Pin	1	ABS	36	Cross screw	4	Carbon steel
37	Lock	1	ABS	37	Spring washer	4	Carbon steel
				38	Regulate Bolt	1	Carbon steel
				39	Washer	1	POM
				40	Regulate Nut	1	Carbon steel
				41	Spring	1	Carbon steel

XAC1000~5000 Series Air Source Treatment Unit(F.R.L Combination)



Ordering Code

XA	C	4000	04	<input type="checkbox"/>	<input type="checkbox"/>	<input type="checkbox"/>
Series XA series	Function code F.R.L Combination	Body Size 1000 2000 3000 4000 5000	Port Size M5:M5×0.8 01:G1/8" 02:G1/4" 03:G3/8" 04:G1/2" 06:G3/4" 10:G1"	Drain Type Blank:Manual Drain Type D:Auto Drain Type (Available for 2000 or above)	Metal Cup U: With Iron Cup L: With Aluminum Cup (Available for 2000)	Color Blank:Standard W:White

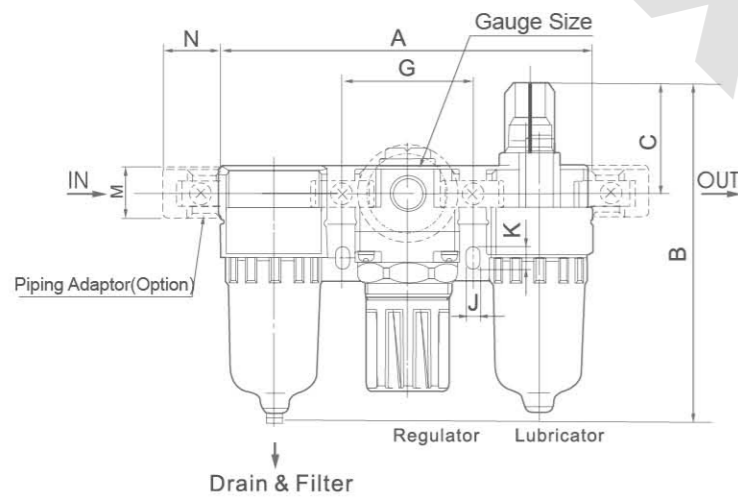
Specification

Model	XAC1000-M5	XAC2000-01	XAC2000-02	XAC3000-02	XAC3000-03	XAC4000-03	XAC4000-04	XAC4000-06	XAC5000-06	XAC5000-10	
Rated Flow(L/min)	90	500	500	2000	2000	4000	4000	4500	5000	5000	
Port Size	M5	G1/8"	G1/4"	G1/4"	G3/8"	G3/8"	G1/2"	G3/4"	G3/4"	G1"	
Filter Precision	25μ										
Highest Working Pressure	1.0MPa										
Ensured pressure Resistance	1.5MPa										
Operating Temperature Range	5~60℃										
Range of Adjustable Pressure	0.05~0.7MPa					0.05~0.85MPa					
Recommended Oil Use	ISO VG 32										
Container Material	Polycarbonate										
Protective Cover	Not Available					Available					
Drain Function	Differential Drain					Differential Drain/Automatic Drain					
Valve Type	With Over flow										
Composing Elements	Filter	XAF1000-M5	XAF2000-01	XAF2000-02	XAF3000-02	XAF3000-03	XAF4000-03	XAF4000-04	XAF4000-06	XAF5000-06	XAF5000-10
	Regulator	XAR1000-M5	XAR2000-01	XAR2000-02	XAR3000-02	XAR3000-03	XAR4000-03	XAR4000-04	XAR4000-06	XAR5000-06	XAR5000-10
	Lubricator	XAL1000-M5	XAL2000-01	XAL2000-02	XAL3000-02	XAL3000-03	XAL4000-03	XAL4000-04	XAL4000-06	XAL5000-06	XAL5000-10

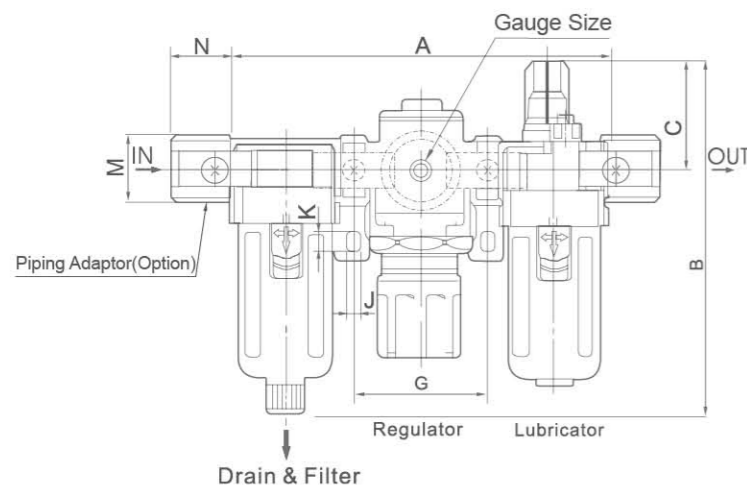
Note: We have upgraded Oil Drop Accessories on Lubricator of XA series 2000-5000 same to the XO series.

XAC1000~5000 Series Air Source Treatment Unit(F.R.L Combination)

Overall Dimensions



XAC1010~2010



XAC3000~5000

Dimension Sheet

Model	Port Size(G)	A	B	C	D	E	F	G	H	J	K	L	M	N	P
XAC1000	M5	91	84.5	25.5	25	26	25	33	20	4.5	7.5	5	17.5	16	38.5
XAC2000	G1/8" ~G1/4"	140	128.5	38	40	56.8	30	50	24	5.5	8.5	5	22	23	50
XAC3000	G1/4" ~G3/8"	181	166	38	53	60.8	41	64	35	7	11	7	34.2	26	70.5
XAC4000	G3/8" ~1/2"	238	201	41	70	65.5	50	84	40	9	13	7	42.2	33	88
XAC4000-06	G3/4"	253	201	40.5	70	69.5	50	89	40	9	13	7	46.2	36	88
XAC5000	G3/4" ~G1"	300	276	48	90	75.5	70	105	50	12	16	10.5	55.5	40	115

XAC1010~5010 Series Air Source Treatment Unit(FR.L Combination)



Ordering Code

XA	C	4000	04			
Series XA series	Function code F.R.L Combination	Body Size 1010 2010 3010 4010 5010	Port Size M5:M5×0.8 01:G1/8" 02:G1/4" 03:G3/8" 04:G1/2" 06:G3/4" 10:G1"	Drain Type Blank:Manual Drain Type D:Auto Drain Type (Available for 2000 or above)	Metal Cup U: With Iron Cup L: With Aluminum Cup (Available for 2000)	Color Blank:Standard W:White

Specification

Model	XAC1010 -M5	XAC2010 -01	XAC2010 -02	XAC3010 -02	XAC3010 -03	XAC4010 -03	XAC4010 -04	XAC4010 -06	XAC5010 -06	XAC5010 -10	
Rated Flow(L/min)	90	500	500	1700	1700	3000	3000	3000	4000	4000	
Port Size	M5	G1/8"	G1/4"	G1/4"	G3/8"	G3/8"	G1/2"	G3/4"	G3/4"	G1"	
Filter Precision	25μ										
Highest Working Pressure	1.0MPa										
Ensured pressure Resistance	1.5MPa										
Operating Temperature Range	5~60℃										
Range of Adjustable Pressure	0.05~0.7MPa					0.05~0.85MPa					
Recommended Oil Use	ISO VG 32										
Container Material	Polycarbonate					Polycarbonate					
Protective Cover	Not Available					Available					
Drain Function	Differential Drain					Differential Drain/Automatic Drain					
Valve Type	With Over flow										
Composing Elements	Filter&Regulator	XAW1000-M5	XAW2000-01	XAW2000-02	XAW3000-02	XAW3000-03	XAW4000-03	XAW4000-04	XAW4000-06	XAW5000-06	XAW5000-10
	Lubricator	XAL1000-M5	XAL2000-01	XAL2000-02	XAL3000-02	XAL3000-03	XAL4000-03	XAL4000-04	XAL4000-06	XAL5000-06	XAL5000-10

Note: We have upgraded Oil Drop Accessories on Lubricator of XA series 2000-5000 same to the XO series.