

XOL Series Lubricator



XOL-MINI

The direct constant-density lubricator add regulated quantity oil to the compressed air. A valve maintains oil mist content proportional to the compressed oil flow. The pressure drop that occurs when the air flow through a sight feed oil cup delivers oil from the bowl to the sight oil indicator. The drop of the oil flows into the air channel when it is atomized. The oil drop rate is controlled by means of the regulating screw. Normally, 1 to 12 drops/1000L of the air is sufficient.

Ordering Code

XO — **L** — **MINI** — **1/4** — **□**

Series
XO Series

Function code
Lubricator

Body
MINI
MIDI
MAXI

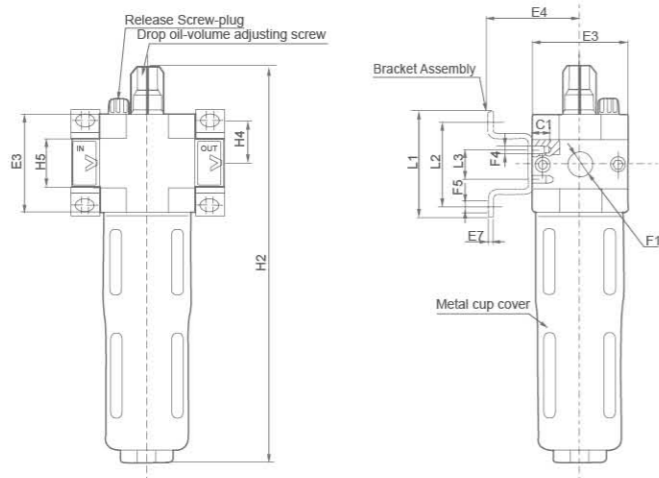
Port Size
G1/8" G1/2"
G1/4" G3/4"
G3/8" G1"

Color
Blank:Orange
BU:Blue

Specification

Model	MINI			MIDI			MAXI	
	XOL-1/8-MINI	XOL-1/4-MINI	XOL-3/8-MINI	XOL-3/8-MIDI	XOL-1/2-MIDI	XOL-3/4-MIDI	XOL-3/4-MAXI	XOL-1-MAXI
Medium	Compressed air							
Features of structure	Sintered filter with water spartor The direct Constant-density Lubricator							
Mounting type	Pipe mounting or foot mounting							
Assembly position	Vertical ±5°							
Connection	G1/8"	G1/4"	G3/8"	G3/8"	G1/2"	G3/4"	G3/4"	G1"
Standard nominal flow rate	1300	2300	2700	5500	6100	6300	8400	9000
Max. Working pressure	16bar							
Min. Standard nominal flow rate	3 L/min			6 L/min			10 L/min	
Max. condensate capacity	22ml			43ml			80ml	
Temperature range	0~60°C							
Materials information	Housing: Zinc die-casting; Oil bowl and Drop cap :PC; Metal bowl guard: Aluminum alloy; Sealing: NBR							
Recommended oil	ISO VG 32 or the same grade							

Overall Dimensions



Graphic Symbol

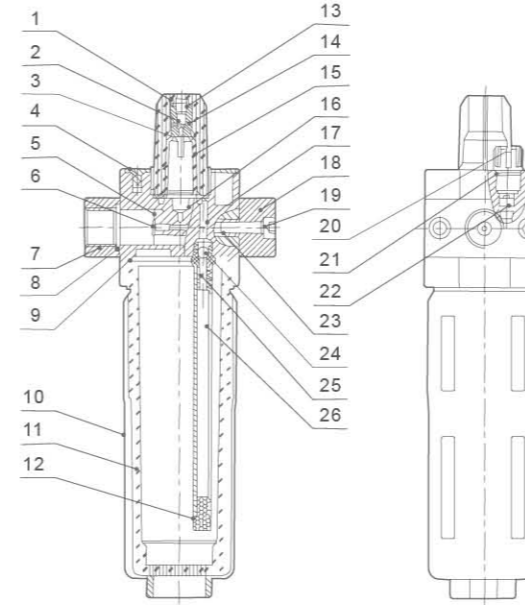


Dimension Sheet

Model	E3	E4	E7	F1	F4	F5φ	L1	L2	L3	H2	H4	H5
XOL-...-MINI	40	39	2	G1/8", G1/4", G3/8"	M4	4.5	44	35	11	169	17.5	20
XOL-...-MIDI	55	47	3	G3/8", G1/2", G3/4"	M5	5.5	73	60	22	206	30	32
XOL-...-MAXI	66	53	3	G3/4", G1"	M5	5.5	73	60	22	226	30	32,40

XOL Series Lubricator

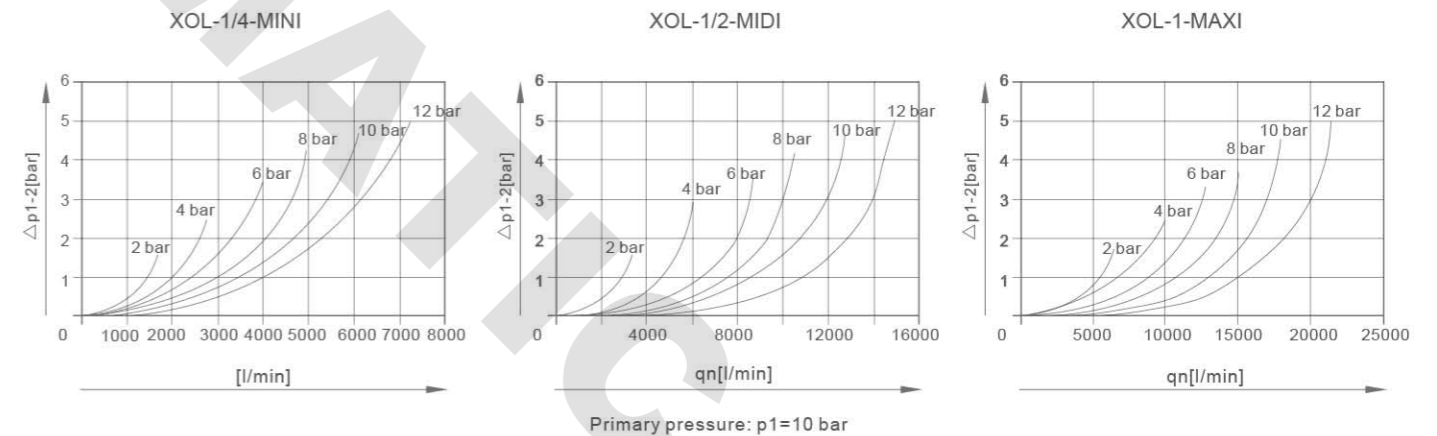
Internal structure



No	Name	Material
1	Upper glass	PC
2	Adjust screw	Brass
3	O-ring	NBR
4	Ornament cover(circular)	PO
5	Windshield chip	NBR
6	Windshield base	Brass
7	Flange-IN	Zinc alloy
8	O-ring	NBR
9	O-ring	NBR
10	Metal bowl guard	Aluminum alloy
11	Lubricator bowl	PC
12	Oil-filter plup	Brass powder sintered
13	O-ring	NBR
14	Screw base	Brass
15	Oil dropping	PC
16	Seal piece	NBR
17	OL Body	Zinc alloy
18	Flange-OUT	Zinc alloy
19	Allen screw	S35C
20	Bleeder screw	POM
21	O-ring	NBR
22	Valve pin	Brass
23	Double-end bolt	SUS
24	Steel ball	SUS304
25	Oil tube connection	POM
26	Oil tube	PU

Flow diagram

Standard flow rate qn as a function of the output pressure p2



XA Series Air Source Treatment Unit

F.R.L Part list

XAR3000				XAF3000			
No	Name	Qty	Material	No	Name	Qty	Material
1	Regulator seat	1	ZZnA14-1	1	Regulator Body	1	Aluminum
2	O-ring	1	NBR	2	O-ring	1	NBR
3	O-ring	1	NBR	3	Whirlwing blade	1	ABS
4	Washer	1	Carbon steel	4	Filter Element	1	Brass
5	Spring	1	Stainless steel	5	Bolt blard	1	Carbon Steel
6	Retainer ring	1	Carbon steel	6	Drain blard	1	ABS
7	Valve core	1	Brass	7	Water cup	1	Poly Carbonate
8	Spool	1	Brass+NBR	8	Valve Core	1	Brass
9	Regulator Body	1	Aluminum	9	Spring	1	Stainless steel
10	Plug	1	Carbon steel	10	O-ring	1	NBR
11	O-ring	1	NBR	11	Drain valve	1	Brass
12	Retainer ring	1	Carbon steel	12	O-ring	1	NBR
13	Pipe	1	POM	13	Hex Nut	1	Brass
14	Diaphragm seat	1	Brass	14	Nut	1	Brass
15	Diaphragm	1	NBR	15	Bowl guard	1	Carbon steel
16	Spring seat	1	Carbon steel	16	Spring	1	Carbon steel
17	Spring	1	Carbon steel	17	Pin	1	ABS
18	Regulate Nut	1	Carbon steel	18	Lock	1	ABS
19	Washer	1	POM				
20	Regulate bolt	1	Carbon steel				
21	Valve cover	1	Reinforce nylon				
22	Spring washer	4	Carbon steel				
23	Cross screw	4	Carbon steel				
24	Nut	1	Reinforce nylon				
25	Symbol ring	1	Reinforce nylon				
26	Regulate handle	1	Reinforce nylon				

XAL3000				XAW3000			
No	Name	Qty	Material	No	Name	Qty	Material
1	Plug	1	ABS	1	Valve core	1	Brass
2	O-ring	1	NBR	2	Spring	1	Stainless steel
3	Oil regulate Screw	1	ABS	3	O-ring	1	NBR
4	Oil drop tube	1	Polycarbonate	4	Drain valve	1	Brass
5	O-ring	1	NBR	5	O-ring	1	NBR
6	Oil drop tube	1	Polycarbonate	6	Hex Nut	1	Brass
7	O-ring	1	NBR	7	Nut	1	Brass
8	Lubricator Body	1	Aluminum	8	Pin	1	ABS
9	Regulate needle	1	Brass	9	Lock	1	ABS
10	O-ring	1	NBR	10	Spring	1	Stain Steel
11	Oil regulate valve seat	1	Brass	11	Bowl guard	1	Carbon steel
12	Reed	1	Poly urethane	12	Whirlwing blade	1	ABS
13	Reed seat	1	ZZnA14-1	13	Filter element	1	Brass
14	Bracket	1	ZZnA14-1	14	Bolt	1	Carbon Steel
15	Small hole seat	1	Brass	15	Drain board	1	ABS
16	Steel Ball	1	Carbon steel	16	O-ring	1	Brass
17	Spring	1	Stainless steel	17	Water cup	1	Polycarbonate
18	One way valve seat	1	Brass	18	Diaphragm Pollet	1	Carbon steel
19	Reed seat board	1	ZZnA14-1	19	Diaphragm	1	NBR
20	Screw	2	Carbon steel	20	Diaphragm seat	1	Brass
21	Filter Element	1	NBR	21	Pipe	1	POM
22	O-ring	1	NBR	22	Retainer ring	1	Carbon steel
23	Middle Part	1	Aluminum	23	O-ring	1	NBR
24	Spring washer	4	Carbon steel	24	Regulator Body	1	Aluminum
25	Hex Screw	4	Carbon steel	25	Plug	1	Carbon steel
26	O-ring	1	NBR	26	Spool	1	Brass+NBR
27	Steel Ball	1	Carbon steel	27	Valve core	1	Brass
28	Fitting	1	POM	28	O-ring	1	NBR
29	Pin	1	Carbon steel	29	Retainer ring	1	Carbon steel
30	Oil tube	1	PU	30	Spring	1	Stain steel
31	O-ring	1	NBR	31	Overflow valve seat	1	ZZnA14-1
32	O-ring	1	NBR	32	Regulate handle	1	Reinforce nylon
33	Oil cup	1	Polycarbonate	33	Symbol ring	1	Reinforce nylon
34	Bowl guard	1	Carbon steel	34	Nut	1	Reinforce nylon
35	Spring	1	Stainless steel	35	Valve cover	1	Reinforce nylon
36	Pin	1	ABS	36	Cross screw	4	Carbon steel
37	Lock	1	ABS	37	Spring washer	4	Carbon steel
				38	Regulate Bolt	1	Carbon steel
				39	Washer	1	POM
				40	Regulate Nut	1	Carbon steel
				41	Spring	1	Carbon steel

XAC1000~5000 Series Air Source Treatment Unit(F.R.L Combination)



Ordering Code

XA	C	4000	04	<input type="checkbox"/>	<input type="checkbox"/>	<input type="checkbox"/>
Series XA series	Function code F.R.L Combination	Body Size 1000 2000 3000 4000 5000	Port Size M5:M5×0.8 01:G1/8" 02:G1/4" 03:G3/8" 04:G1/2" 06:G3/4" 10:G1"	Drain Type Blank:Manual Drain Type D:Auto Drain Type (Available for 2000 or above)	Metal Cup U: With Iron Cup L: With Aluminum Cup (Available for 2000)	Color Blank:Standard W:White

Specification

Model	XAC1000-M5	XAC2000-01	XAC2000-02	XAC3000-02	XAC3000-03	XAC4000-03	XAC4000-04	XAC4000-06	XAC5000-06	XAC5000-10	
Rated Flow(L/min)	90	500	500	2000	2000	4000	4000	4500	5000	5000	
Port Size	M5	G1/8"	G1/4"	G1/4"	G3/8"	G3/8"	G1/2"	G3/4"	G3/4"	G1"	
Filter Precision	25μ										
Highest Working Pressure	1.0MPa										
Ensured pressure Resistance	1.5MPa										
Operating Temperature Range	5~60℃										
Range of Adjustable Pressure	0.05~0.7MPa					0.05~0.85MPa					
Recommended Oil Use	ISO VG 32										
Container Material	Polycarbonate										
Protective Cover	Not Available					Available					
Drain Function	Differential Drain					Differential Drain/Automatic Drain					
Valve Type	With Over flow										
Composing Elements	Filter	XAF1000-M5	XAF2000-01	XAF2000-02	XAF3000-02	XAF3000-03	XAF4000-03	XAF4000-04	XAF4000-06	XAF5000-06	XAF5000-10
	Regulator	XAR1000-M5	XAR2000-01	XAR2000-02	XAR3000-02	XAR3000-03	XAR4000-03	XAR4000-04	XAR4000-06	XAR5000-06	XAR5000-10
	Lubricator	XAL1000-M5	XAL2000-01	XAL2000-02	XAL3000-02	XAL3000-03	XAL4000-03	XAL4000-04	XAL4000-06	XAL5000-06	XAL5000-10

Note: We have upgraded Oil Drop Accessories on Lubricator of XA series 2000-5000 same to the XO series.