

XOF Series Air Filter

The OF with water separator cleans the compressed air of fluid oil, condensation and dirt particles, for special application, the standard 40µm filter element may easily be replaced by a 5µm filter element.



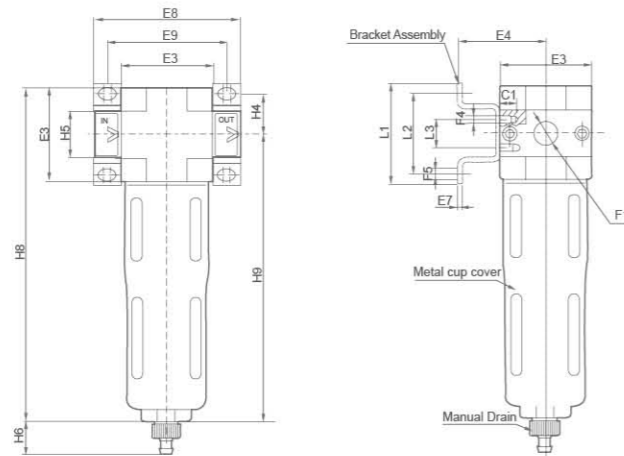
Ordering Code

XO	F	MINI	1/4	□	□	□
Series XO Series	Function code Filter	Body MINI MIDI MAXI	Port Size G1/8" G1/4" G3/8" G1/2" G3/4" G1"	Grade of Filtration Blank: 40µm 5M: 5µm	Drain Type Blank: Turnd Manually S: Half-Auto Drain Type A: Auto Drain Type	Color Blank: Orange BU: Blue

Specification

Model	MINI			MIDI			MAXI	
40µm Manual Drain	XOF-1/8-MINI	XOF-1/4-MINI	XOF-3/8-MINI	XOF-3/8-MIDI	XOF-1/2-MIDI	XOF-3/4-MIDI	XOF-3/4-MAXI	XOF-1-MAXI
5µm Manual Drain	XOF-1/8-5M-MINI	XOF-1/4-5M-MINI	XOF-3/8-5M-MINI	XOF-3/8-5M-MIDI	XOF-1/2-5M-MIDI	XOF-3/4-5M-MIDI	XOF-3/4-5M-MAXI	XOF-1-5M-MAXI
Medium	Compressed air							
Features of structure	Sintered filter with water spartor							
Mounting type	Pipe mounting or foot mounting							
Assembly position	Vertical ±5°							
Connection	G1/8"	G1/4"	G3/8"	G3/8"	G1/2"	G3/4"	G3/4"	G1"
Standard nominal flow rate	XOF-... 1000	XOF-... 1200	XOF-... 1400	XOF-... 2700	XOF-... 3000	XOF-... 3000	XOF-... 5000	XOF-... 5300
Primary pressure Manual drain	1~16bar							
Grade of filtration	40µm/5µm							
Max. condensate capacity	22ml			43ml			80ml	
Max. condensate capacity	0~60°C							
Materials information	Housing: Zinc die-casting; Filter bowl: PC; Metal bowl guard: Aluminum alloy; Sealing: NBR							

Overall Dimensions

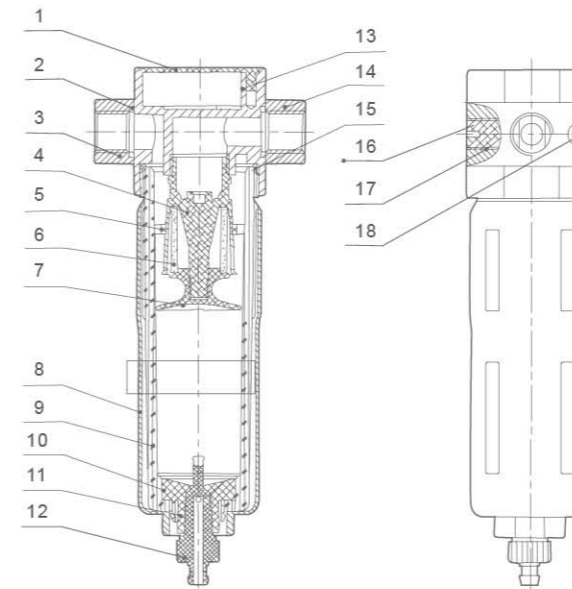


Dimension Sheet

Model	E3	E4	E7	E8	E9	F1	F4	F5Φ	L1	L2	L3	H4	H5	H6	H8	H9
XOF-...-MINI	40	39	2	64	52	G1/8", G1/4", G3/8"	M4	4.5	44	35	11	17.5	20	15	144	124
XOF-...-MIDI	55	47	3	85	70	G3/8", G1/2", G3/4"	M5	5.5	71	60	22	30	32	15	180	153
XOF-...-MAXI	66	53	3	96,116	80,91	G3/4", G1"	M5	5.5	71	60	22	30	32,40	15	203	170

XOF Series Air Filter

Internal structure



No	Name	Material
1	Ornament cover(round)	POM
2	O-ring	NBR
3	Flange-IN	Zinc alloy
4	Filter element base	POM
5	Whirl wind impeller	POM
6	Filter element	PE
7	Manger	POM
8	Metal bowl guard	Aluminum alloy
9	Filter bowl	PC
10	O-ring	NBR
11	Inner joint	POM
12	Condensate drain	POM
13	OF Body	Zinc alloy
14	Flange-OUT	Zinc alloy
15	O-ring	NBR
16	Plug	POM
17	O-ring	NBR
18	Allen screw	S35C

Flow diagram

Standard flow rate qn as a function of the output pressure p2

