

### XOC Series Air Source Treatment Unit



XOC-MINI

The XOC consisted of XOF, XOR and XOL, each unit can be ordered separately. The XOF with water separator cleans the compressed air of fluid oil, condensation and dirt. Particles. For special application, the standard 40µm filter element may easily be replaced by a 5µm filter element. The XOR maintain inputting constant operating pressure despite fluctuation in line pressure and the amount of air consumed. The proportional lubricator adds a regulated quantity of oil to the filtered air. The oil-mist content proportional to the flow and oil can be added during operation. The oil drop rate is controlled by the adjustable bolt. Normally, 1 to 12 drops/1000L of the air is sufficient.

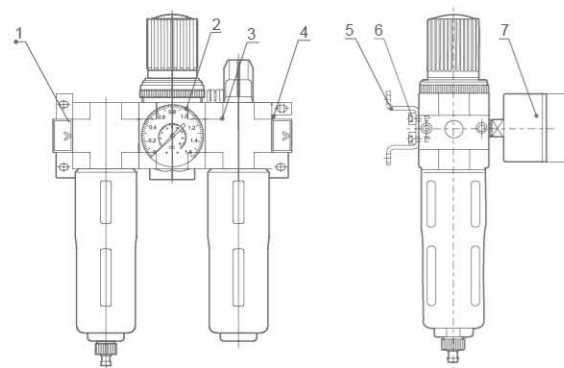
Ordering Code

<b>XO</b>	<b>C</b>	<b>MINI</b>	<b>1/4</b>	<b>□</b>	<b>□</b>	<b>□</b>	<b>□</b>
<b>Series</b>	<b>Function code</b>	<b>Body</b>	<b>Port Size</b>	<b>Grade of Filtration</b>	<b>Manometer</b>	<b>Drain Type</b>	<b>Color</b>
XO Series	F.R.L Combination	MINI MIDI MAXI	G1/8" G1/2" G1/4" G3/4" G3/8" G1"	Blank:40µm 5M:5µm	Blank:12bar 7:7bar	Blank: Turnd Manually S: Half-Auto Drain Type A: Auto Drain Type	Blank: Orange BU: Bule

Specification

Model	MINI			MIDI			MAXI		
Manual Drain	Working pressure:12bar,40µm	XOC-1/8-MINI	XOC-1/4-MINI	XOC-3/8-MINI	XOC-3/8-MIDI	XOC-1/2-MIDI	XOC-3/4-MIDI	XOC-3/4-MAXI	XOC-1-MAXI
	Working pressure:7bar,40µm	XOC-1/8-7-MINI	XOC-1/4-7-MINI	XOC-3/8-7-MINI	XOC-3/8-7-MIDI	XOC-1/2-7-MIDI	XOC-3/4-7-MIDI	XOC-3/4-7-MAXI	XOC-1-7-MAXI
	Working pressure:12bar,5µm	XOC-1/8-5M-MINI	XOC-1/4-5M-MINI	XOC-3/8-5M-MINI	XOC-3/8-5M-MIDI	XOC-1/2-5M-MIDI	XOC-3/4-5M-MIDI	XOC-3/4-5M-MAXI	XOC-1-5M-MAXI
Manometer	0~12bar	OMA-40-16-1/8			OMA-50-16-1/4				
	0~7bar	OMA-40-10-1/8			OMA-50-10-1/4				
Medium	Compressed air								
Features of structure	Sintered filter with water separator;MINI/MIDI:MAXI:Piston regulator;Diaphragm type regulator;Direct constant-density lubricator								
Mounting type	Pipe mounting or foot mounting								
Assembly position	Vertical ±5°								
Connection	G1/8"	G1/4"	G3/8"	G3/8"	G1/2"	G3/4"	G3/4"	G1"	
Standard nominal flow rate	XOC-...(-A)	700	1000	1200	2000	2600	2600	7000	8000
	XOC-...-7(-A)	800	1300	1500	2500	2800	2800	8500	8700
Primary pressure	XOC-...-5M(-A)	600	850	1050	1700	1800	2100	6500	7200
	Manual condensate drain				1~16bar				
Automatic condensate drain				1.5~12bar					
Working pressure				0.5~12bar/0.5~7bar					
Min. Standard nominal flow rate	3 L/min			6 L/min			10 L/min		
Grade of filtration				40µm/5µm					
Capacity of condensate fluid	22ml			43ml			80ml		
Temperature range				0~60℃					
Materials information	Housing: Zinc die-casting; Filter bowl and oil bowl: PC; Metal bowl guard: Aluminum alloy; Sealing: NBR; Adjusting knob: POM								

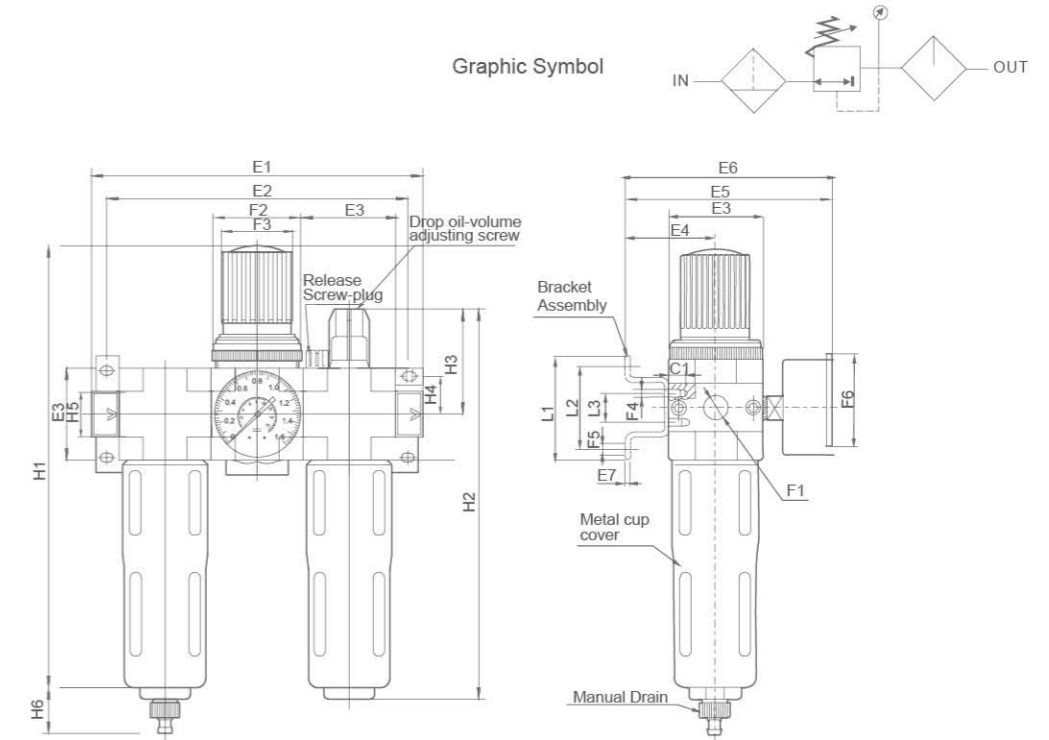
Internal structure



No	Name	Material
1	Flange-IN	Zinc alloy
2	Filter + Regulator	
3	Lubricator	
4	Flange - OUT	Zinc alloy
5	Bracket	SPCC
6	Allen screw	S35C
7	Pressure gauge	

### XOC Series Air Source Treatment Unit

Overall Dimensions



Dimension Sheet

Model	E1	E2	E3	E4	E5	E6	E7	F1	F2
XOC-MINI	143	132	40	39	76	95	2	G1/8", G1/4", G3/8"	M36×1.5
XOC-MIDI	193	180	55	47	93	112	3	G3/8", G1/2", G3/4"	M52×1.5
XOC-MAXI	247	220	66	53	104	124	3	G3/4", G1"	M52×1.5

Model	F3Φ	F4	F5Φ	F6Φ	L1	L2	L3	H1	H2	H3	H4	H5	H6
XOC-MINI	31	M4	4.5	41	44	35	11	194	169	69	17.5	20	15
XOC-MIDI	50	M5	5.5	352	71	60	22	250	206	97	24.5	32	15
XOC-MAXI	50	M5	5.5	53	71	60	22	272	226	80	24.5	32,40	15

Note: The Color Can Be Customized According to Your Requirement.

Flow diagram

Standard flow rate qn as a function of the output pressure p2

