

RSQ Series Stopper Cylinder



RSQA 50 x 75R

Ordering Code

RSQ □ □ **20** × **15** - **S** □
Series Code RSQ Series
Mounting Type Blank: Though Hole (Standard)
 A: Both Ends Tapped Style
Acting Type Blank: Basic Type (with spring)
 B: Basic type
 SA: Single acting Spring extend
Cylinder Bore 20mm
 32mm
 40mm
 50mm
Stroke 15
Magnet Code Blank: Without Magnet
 S: With Magnet
Rod end Type Blank: Round bar type
 K: Chamfered type
 R: Roller type
 L: Level roller type (with shock absorber)

Specification

Bore(mm)	20	32	40	50
Motion Pattern	Double acting, Double acting with spring loaded, Single acting(Spring extend)			
Fluid	Air			
Ensured Pressure Resistance	1.5Mpa(15.3kgf/cm ²)			
Max.pressure	1.0Mpa(10.2kgf/cm ²)			
Ambient and fluid temperature	-10~+70℃ With auto switch: No freezing +60℃			
Buffering	Rubber bumper			
Tolerance of stroke	+1.4(mm) 0			
*Lubrication	Not required			
Mounting	Through-hole, Both ends tapped common			
Port Size	RC(PT1/8)			

Model

Bore(mm)	20	32	40	50	
Mounting	Through-hole	●	●	●	●
	Both ends tapped style	●	●	●	●
Built-in magnet	●	●	●	●	
Piping	Screw-in type	Rc 1/8			
	Built-in One-touch fittings	Φ6/4		Φ8/6	
Action	Double acting Single acting(Single extend), Double acting with spring loaded				
Rod end configuration	Round bar	●		●	
	Chamfered	●		●	
	Roller type	●		●	
	Lever type	-		●	

Φ12 tubes can have both through-hole and tap mountings in the same tube.

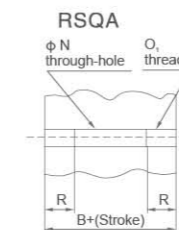
Standard Stroke

Bore size(mm)	Rod end configuration		
	Round bar, Chamfered type	Roller type	Lever type with shock absorber
20			-
32	10,15,20	10,15,20	10,15,20
40			
50	20,25,30	20,25,30	20,25,30

RSQ Series Stopper Cylinder

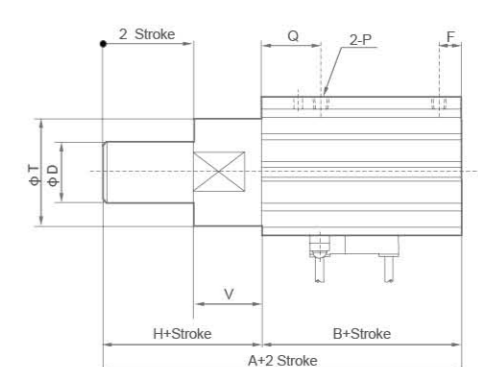
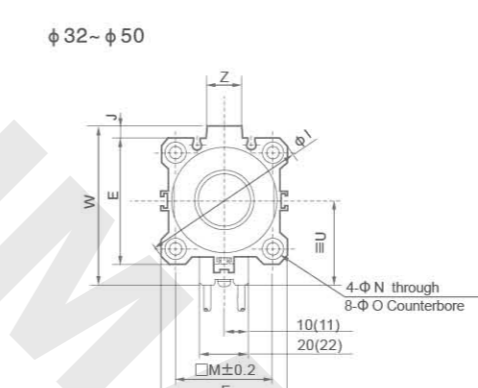
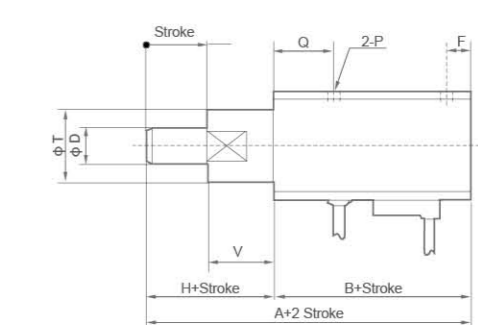
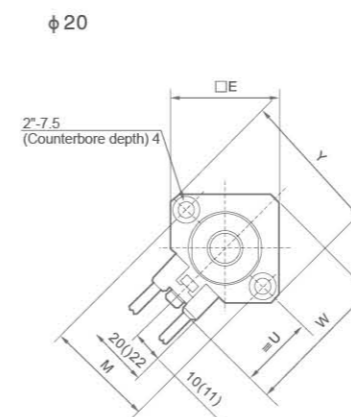
Overall Dimensions

Basic style: Through-hole mounting, Screw mounting
 These 5 figures show the piston rod extended.



Screw mounting style: Both ends tapped style (mm)

Model	B	N	Q1	R
RSQA20	45	5.5	M6×1	10
RSQA32	48	5.5	M6×1	10
RSQA40	52.5	5.5	M6×1	10
RSQA50	54	6.6	M8×1.25	14



Dimension Sheet

Bore size (mm)	A	B	D	E	F	G	H	I	J	M	N	O Counterbore	P	Q	T	U	V	W	Y	Z
20	67	45	12	36	8	4	22	-	-	36	5.5	9 depth 7	Rc 1/8	20	24	24.5	22	48	47	-
32	68	48	20	45	7.5	8	20	60	4.5	34	5.5	9 depth 7	Rc 1/8	20	36	31.5	20	58.5	-	14
40	80.5	52.5	25	52	8	10	28	69	5	40	5.5	9 depth 7	Rc 1/8	24.5	44	35	28	66	-	14
50	82	54	25	64	8	10	28	86	7	50	6.6	11 depth 8	Rc 1/8	24.5	56	41	28	80	-	19

Note1) Dimensions without auto switch are the same as drawing above.
 Note2) These figures show the dimensions when equipped with D-A 73 or D-A 80 auto switches.
 Note3) These figures show the piston rod extended.