

JM Series Mechanical Valve



Ordering Code

JM

05

Specification Code
Stop-type Mechanical Valve

Button Type
05: Selective Knob
06: With Lock Button
06A: Plat Round Button
07: Roller Type

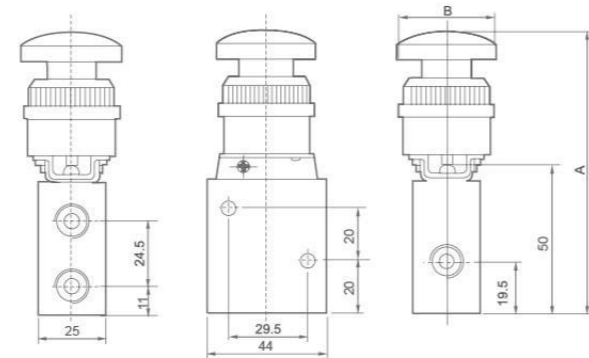
Specification

| Model | JM-05 | JM-06 | JM-06A | JM-07 |
|------------------------|--|-------|--------|-------|
| Working Medium | 40 Micron Filtered Air | | | |
| Position and Way No. | Two-position Three-way, Two-position Two-way | | | |
| Port Size | G1/4" | | | |
| Working-pressure Range | 0~0.8MPa | | | |
| Operating Temperature | 0~60°C | | | |

Dimension Sheet

| Model | JM-05 | JM-06 | JM-06A | JM-07 |
|-------|-------|-------|--------|-------|
| A | 114 | 111 | 96 | 84.5 |
| B | 36.5 | 39.5 | 39.5 | 42.5 |

Overall Dimensions



XS3 Series Mechanical Valve



Ordering Code

S3

PM

06

R

Specification Code
Two-Position
Three way Mechanical Valve

Button Type
B: Normal
C: Long Handle
D: Shaft Handle
Y: Rocjer
R: Roller lever
L: One way Roller lever
V: Vertical roller
PL: Park Rotation Button
PP: Convers Button
PF: Plat Button
PM: Large Round Button
HS: Selective Knob

Port Size
05: M5
06: PT1/8"
08: PT1/4"

Button Color

| Specification | Button Color |
|-----------------|--------------|
| PL Type | R: Red |
| PP Type/PF Type | R: Red |
| PM Type/HS Type | G: Green |
| | B: Black |
| Other Model | No |

Specification

| Model | S3B | S3C | S3D | S3V | S3R | S3L | S3Y | S3PM | S3PP | S3PF | S3PL | S3HS |
|-----------------------------|---|-----|-----|-----|-----|-----|-----|------|------|------|------|------|
| Working Medium | Filtered 40µm Air | | | | | | | | | | | |
| Motion Pattern | External Direct Action Control | | | | | | | | | | | |
| Port Size | 05: M5; 06: PT1/8"; 08: PT1/4" | | | | | | | | | | | |
| Effective Sectional Area | 05: 2.4mm ² (Cv=0.45); 08: 12.0mm ² (Cv=0.67) | | | | | | | | | | | |
| Position and Way Area | Two-Position Three-Way | | | | | | | | | | | |
| Lubrication | Not required | | | | | | | | | | | |
| Working Pressure Resistance | 0~0.8MPa | | | | | | | | | | | |
| Ensured Pressure Resistance | 1.5MPa | | | | | | | | | | | |
| Working Temperature | -20~70°C | | | | | | | | | | | |
| Body Material | Aluminum Alloy | | | | | | | | | | | |

MOV Series Mechanical Valve



Ordering Code

MOV

01

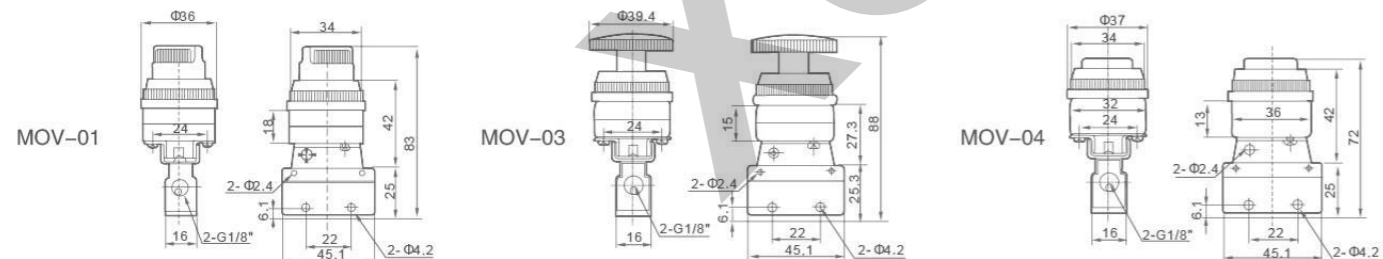
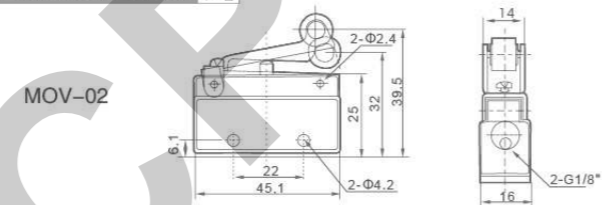
Specification Code
Machine-Control,
Hand-Control Valve

Button Type
01: Selective Knob
02: Roller Type
03: With Lock Button
04: Plat Round Button

Specification

| Model | MOV-01 | MOV-02 | MOV-03 | MOV-04 |
|------------------------|----------------------|--------|--------|--------|
| Working Medium | Air | | | |
| Position and Way No. | Two-position Two-way | | | |
| Port Size | G1/8" | | | |
| Working-pressure Range | 0~0.8MPa | | | |
| Operating Temperature | 0~70°C | | | |

Overall Dimensions



XT Series Toggles Valve

