

**XCB Series Belt Type Electric Cylinder(Clean Room)**



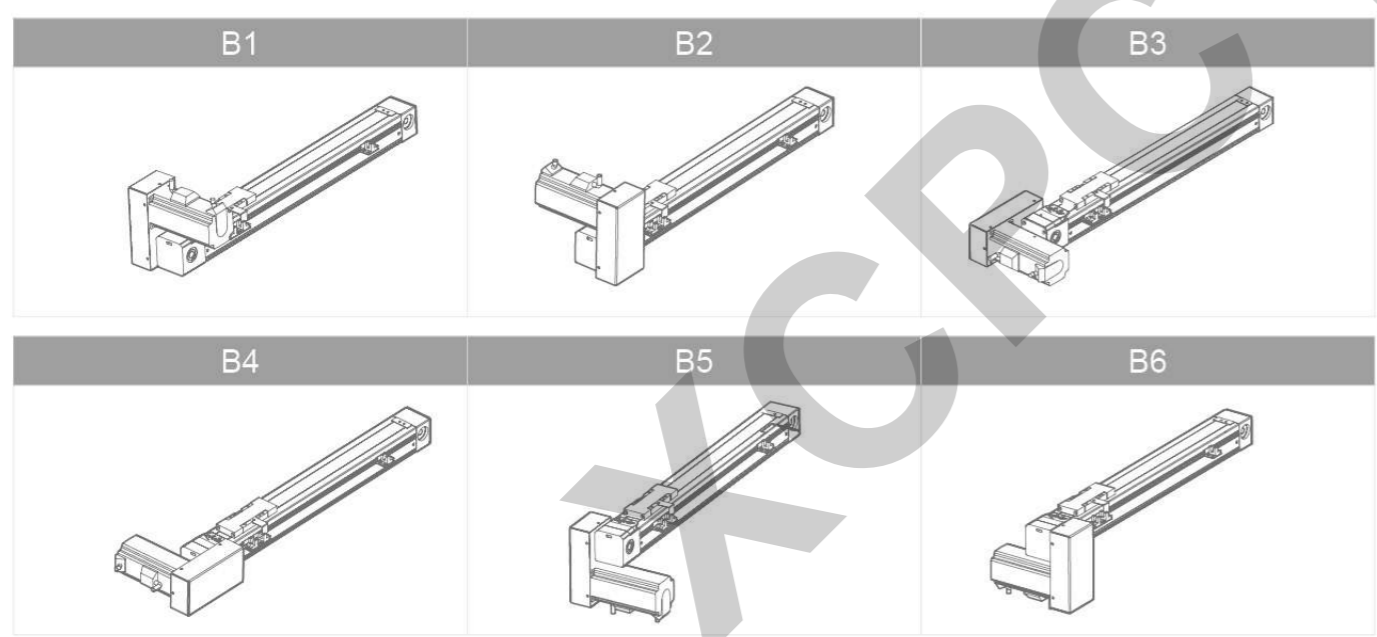
Ordering Code

<b>XCB50D</b>	<b>L10</b>	<b>S800</b>	<b>B1</b>	<b>M</b>	<b>100W</b>	<b>B</b>
<b>Model</b>	<b>Equivalent to Lead</b>	<b>Stroke</b>	<b>Motor Direction</b>	<b>Motor Brand</b>	<b>Motor Output</b>	<b>Brake</b>
XCB50D XCB60D XCB100D XCB136D XCB168D		100~3050mm	B1: Motor leftward, upper position B2: Motor rightward, upper position B3: Motor leftward, horizontal position B4: Motor rightward, horizontal position B5: Motor leftward, lower position B6: Motor rightward, lower position	H: Hiwin S: Sanyo M: Mitsubishi Y: Yaskawa P: Panasonic F: Fuji B: Belta	100~400W	

Specification

Model	XCB50D	XCB60D	XCB100D	XCB136D	XCB168D
AC Servo motor output (W)	100W	200W 400W	100W 200W	200W	400W
Repeatability (mm)	±0.04				
Equivalent to lead	34				40
Maximum speed (mm/sec)	1718				2000
Maximum payload (kg)	8	15 25	20 25	32	45
Stroke (mm)	100~800: 50(Interval)		150~1850: 100(Interval)		150~3050: 100(Interval)

Motor Direction



**Pneumatic Actuator**

According to ISO5211, VD/VDE3845 and NAMUR international standard, XCPC provide the qualified pneumatic actuator which is compact, modernized design for your selection. Single acting and double acting as optional, size from 32mm to 270mm, and meet the different requirement of application to satisfy our customers.

