

### CY3S Series Rodless Cylinder



CY3S 25x300

Ordering Code

**CY3S** — **20** **H** × **50** **BS**

**Series code**  
CY3S: Sliding Type  
CDY3S: With Switch Rail

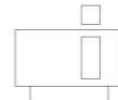
**Bore size**  
6mm~40mm

**Manget Holding Foerce Type**  
H: High  
L: Lower(φ6-φ10, No.L)

**Stroke**  
See Stroke List

**Stopper Form**  
Blank: With adjusting screw  
B: 2 hydraulic shock absorbers  
BS: 1 pcs hydraulic shock absorber

Graphic Symbol



Specification

Bore size(mm)	6	10	15	20	25	32	40	50	63
Working medium	Air(to be filtered by 40μm filter element)								
Action type	Double-acting								
Max.operating pressure	0.7MPa								
Min.operating pressure	0.18MPa								
Environment and fluid temperature	-10~60°C (No freezing)								
Piston speed	50~400mm/s								
Cushion type	Rubber cushion on both ends								
Stroke tolerance	0~250 <sup>+1.0</sup> <sub>0</sub> , 251~1000 <sup>+1.4</sup> <sub>0</sub> , 1001~ <sup>+1.8</sup> <sub>0</sub>								
Lubrication	Not required (Non-lube)								
Port size	M5×0.8			Rc1/8			Rc1/4		
Mounting method	Unlimited								

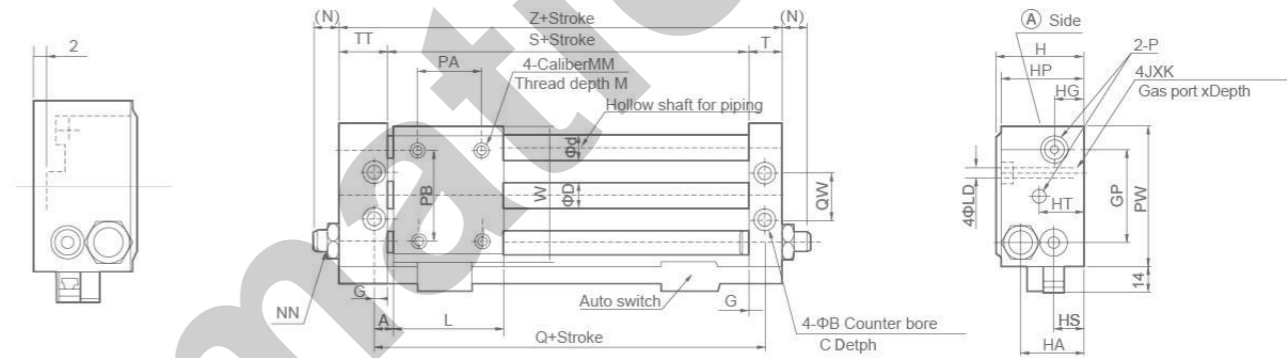
Stroke

Bore(mm)	Standard storke(mm)	longeststroke(mm)	
		Basic	Slider type
6	50,100,150,200	300	300
10	50,100,150,200,250,300	500	500
15	50,100,150,200,250,350,400,450,500	—	750
20	—	—	1000
25	100,150,200,250,300,350,400,450,500,600,700,800	—	—
32	—	—	1500
40	100,150,200,250,300,350,400,450,500,600,700,800,900,1000	—	—

### CY3S Series Rodless Cylinder

Overall Dimensions

CY3S6~10



Dimension Sheet

Bore(mm)	Travel range	ΦD	Φd	A	ΦB	C	HT	G	GP	H	HA	HG	HP	HS	T	J×K	L	LD	M
6	~300	7.6	8	6	6.5	3	17	5	32	27	19	8	26	8	10	M4×0.7×6.5	40	3.5	6
10	~300	12	10	7.5	8	4	18	6.5	40	34	25.5	12	33	14	12.5	M4×0.8×9.5	45	4.3	6

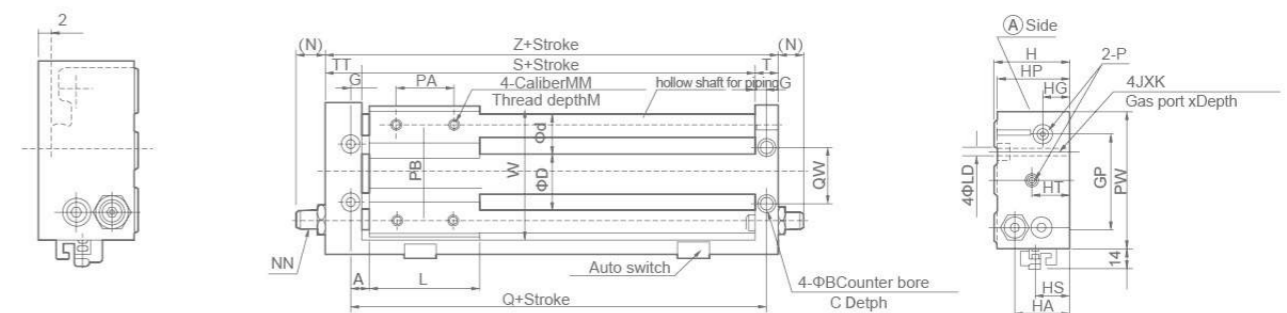
  

Bore(mm)	MM	NN	(N)	P	*PA	PB	PW	QW	Q	S	TT	Z	W
6	M4×0.7	M8×1.0	10	M5×0.8	25	25	50	16	52	42	16	68	46
10	M4×0.7	M8×1.0	9.5	M5×0.8	25	38	60	24	60	47	20.5	80	58

Note) Auto switch can also be mounted on (A) side  
Equle about center for PA and L

Overall Dimensions

CY3S15~40



Dimension Sheet

Bore(mm)	Travel range	ΦD	Φd	A	ΦB	C	HT	G	GP	H	HA	HG	HP	HS	T	J×K	L	LD	M
15	~750	16.6	12	7.5	9.5	5	21	6.5	52	40	29	13	39	15	12.5	M6×1.0×9.5	60	5.6	8
20	~1500	21.6	16	10	9.5	5.2	20	8.5	62	46	36	17	45	25.5	16.5	M6×1.0×9.5	70	5.6	10
25	~1500	26.4	16	10	11	6.5	20	8.5	70	54	40	20	53	53	16.5	M8×1.25×10	70	7	10
32	~1500	33.6	20	12.5	14	8	24	9.5	86	66	46	24	64	27	18.5	M10×1.5×15	85	8.7	12
40	~1500	41.6	25	12.5	14	8	25	10.5	104	76	57	25	74	30	20.5	M10×1.5×15	95	8.7	12

Bore(mm)	MM	NN	(N)	P	*PA	PB	PW	QW	Q	S	TT	Z	W
15	M5×0.8	M8×1.0	7.5	M5×0.8	30	50	75	30	75	62	22.5	97	72
20	M6×1.0	M10×1.0	9.5	1/8	40	70	90	38	90	73	25.5	115	87
25	M6×1.0	M14×1.5	11	1/8	40	70	100	42	90	73	25.5	115	97
32	M8×1.25	M20×1.5	11.5	1/8	40	75	122	50	110	91	28.5	138	119
40	M8×1.25	M20×1.5	10.5	1/8	65	105	145	64	120	99	35.5	155	142

Note) Auto switch can also be mounted on (A) side  
Equle about center for PA and L