

Speed Controls

Feature

- Accurate regulation of an optimal airflow rate for precise motion control.
- Compact and space-saving configuration provides a functionally wide range of airflow rates.
- Available in control method type for metering of unidirectional airflow either entering into or exhausting out of a driving device.

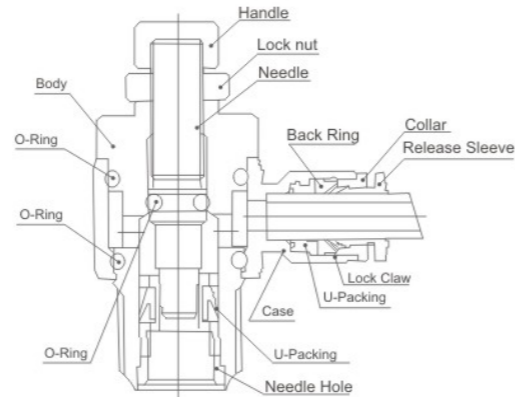
Specification

Fluid Type	Air, Vacuum
Operating Pressure	0~10.2Kgf/cm ² (0~1.0Mpa)
Negative Pressure	-750mm Hg(10Torr)
Operating Temperature Range	0~60°C
Tube Material	Nylon and Polyurethane

Ordering Code

XJSC	08	02					
(1)	(2)	(3)					
(1) Model Type							
(2) Tube Outer Diameter(φ D)							
Metric Size							
Code	04	06	08	10	12	14	16
φ D	4mm	6mm	8mm	10mm	12mm	14mm	16mm

Construction



(3) Thread Type & Size

	Metric Size		R(PT)Thread			
Code	M5	M6	01	02	03	04
φ D	M5×0.8	M6×1	R1/8"	R1/4"	R3/8"	R1/2"

	G(PF)Thread			
Code	G01	G02	G03	G04
Size	G1/8"	G1/4"	G3/8"	G1/2"

XJSC	MODEL(φ D-T)					
	Tube(Metric)-Thread(R)		Tube(Inch)-Thread(R)		Tube(Inch)-Thread(NPT)	
	XJSC 04-M5	XJSC 06-04	XJSC 10-03	XJSC 1/4-M5	XJSC 5/16-02	XJSC 5/32-U XJSC 1/4-N1 XJSC 3/8-N2
	XJSC 04-01	XJSC 08-01	XJSC 10-04	XJSC 1/4-01	XJSC 5/16-03	XJSC 5/32-N1 XJSC 1/4-N2 XJSC 3/8-N3
	XJSC 04-02	XJSC 08-02	XJSC 12-02	XJSC 1/4-02	XJSC 3/8-02	XJSC 3/16-U XJSC 1/4-N3 XJSC 3/8-N4
	XJSC 06-M5	XJSC 08-03	XJSC 12-03	XJSC 5/16-01	XJSC 3/8-03	XJSC 3/16-N1 XJSC 5/16-N1 XJSC 1/2-N3
	XJSC 06-01	XJSC 08-04	XJSC 12-04			XJSC 3/16-N2 XJSC 5/16-N2 XJSC 1/2-N4
	XJSC 06-02	XJSC 10-01				XJSC 3/16-N3 XJSC 5/16-N3
	XJSC 06-03	XJSC 10-02				XJSC 1/4-U XJSC 5/16-N4

XJSC-G	MODEL(φ D-T)			XPA	MODEL(φ D)	
	Tube(Metric)				Tube(Metric)	Tube(Inch)
	XJSC04-G01	XJSC08-G02	XJSC12-G02	XPA 04	XPA 5/32	
	XJSC04-G02	XJSC08-G03	XJSC12-G03	XPA 06	XPA 3/16	
	XJSC06-G01	XJSC08-G04	XJSC12-G04	XPA 08	XPA 1/4	
	XJSC06-G02	XJSC10-G01		XPA 10	XPA 5/16	
	XJSC06-G03	XJSC10-G02		XPA 12	XPA 3/8	
	XJSC06-G04	XJSC10-G03			XPA 1/2	
	XJSC08-G01	XJSC10-G04				

XSS	MODEL(φ D-T)		XSS-G	MODEL(φ D-T)	
	Tube(Metric)	Tube(Inch)		Tube(Metric)	Tube(Metric)
	XSS04-01	XSS1/4-N01		XSS04-G01	
	XSS04-02	XSS1/4-N02		XSS04-G02	
	XSS06-01	XSS5/16-N01		XSS06-G01	
	XSS06-02	XSS5/16-N02		XSS06-G02	
	XSS08-01	XSS3/8-N02		XSS08-G01	
	XSS08-02	XSS3/8-N03		XSS08-G02	
	XSS10-02	XSS1/2-N02		XSS10-G02	
	XSS10-03	XSS1/2-N03		XSS10-G03	
	XSS12-03			XSS12-G02	
				XSS12-G03	

Mini Fittings

Feature

- Ideal for pneumatic connections specifically for small and compact equipments.
- Aesthetically pleasing nickel-plated metallic standardized feature for all applicable compact fittings.

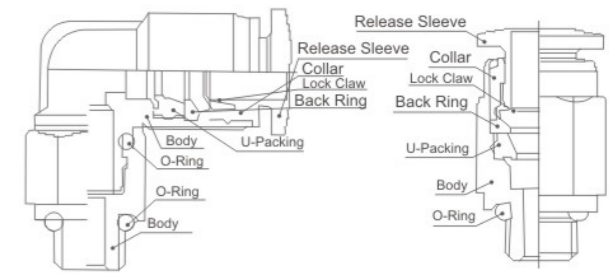
Specification

Fluid Type	Air, Vacuum
Operating Pressure	0~10.2Kgf/cm ² (0~1.0Mpa)
Negative Pressure	-750mm Hg(10Torr)
Operating Temperature Range	0~60°C
Tube Material	Nylon and Polyurethane

Ordering Code

XPC	08	02	C
(1)	(2)	(3)	(4)
(1) Model Type			
(2) Tube Outer Diameter(φ D)			
Metric Size			
Code	03	04	06
φ D	3mm	4mm	6mm

Construction



(3) Thread Type & Size

	Metric Size		
Code	M3	M5	M6
φ D	M3×0.5	M5×0.8	M6×1

	R(PT)Thread	
Code	01	G01
Size	R1/8"	G1/4"

(4) Compact Type

XPC-C	MODEL(φ D-T)		XPB-C	MODEL(φ D1-T)	
	Tube(Metric)			Tube(Metric)	
	XPC03-M3C	XPC04-01C		XPB03-M3C	XPB04-01C
	XPC03-M5C	XPC06-M5C		XPB03-M5C	XPB06-M5C
	XPC03-M6C	XPC06-M6C		XPB03-M6C	XPB06-M6C
	XPC04-M3C	XPC06-01C		XPB04-M3C	XPB06-01C
	XPC04-M5C			XPB04-M5C	
	XPC04-M6C			XPB04-M6C	

XPCF-C	MODEL(φ D-T)		XPD-C	MODEL(φ D-T)	
	Tube(Metric)			Tube(Metric)	
	XPCF03-M3C	XPCF04-01C		XPD03-M3C	XPD04-01C
	XPCF03-M5C	XPCF06-M5C		XPD03-M5C	XPD06-M5C
	XPCF03-M6C	XPCF06-M6C		XPD03-M6C	XPD06-M6C
	XPCF04-M3C	XPCF06-01C		XPD04-M3C	XPD06-01C
	XPCF04-M5C			XPD04-M5C	
	XPCF04-M6C			XPD04-M6C	

XPOC-C	MODEL(φ D-T)		XPLL-C	MODEL(φ D-T)	
	Tube(Metric)			Tube(Metric)	
	XPOC03-M3C	XPOC04-01C		XPLL03-M3C	XPLL04-01C
	XPOC03-M5C	XPOC06-M5C		XPLL03-M5C	XPLL06-M5C
	XPOC03-M6C	XPOC06-M6C		XPLL03-M6C	XPLL06-M6C
	XPOC04-M3C	XPOC06-01C		XPLL04-M3C	XPLL06-01C
	XPOC04-M5C			XPLL04-M5C	
	XPOC04-M6C			XPLL04-M6C	