

2Q Series Air Control Two-Way Valve

Ordering Code

2Q

Specification Code
2Q:Two-position two-way Air Control valve

200

Aperture of Flow Rate
160:16mm
200:22mm
250:25mm
350:35mm
400:40mm
500:50mm

25

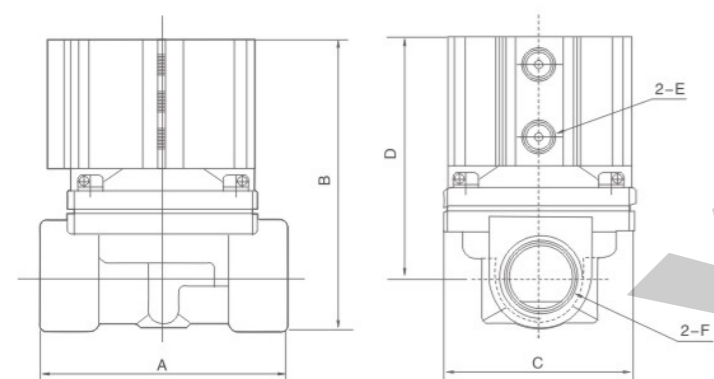
Port Size
15:G1/2"
20:G3/4"
25:G1"
35:G1 1/4"
40:G1 1/2"
50:G2"



Specification

Model	2Q160-15	2Q200-20	2Q250-25	2Q350-35	2Q400-40	2Q500-50
Working Medium	Air, Water, Oil, Gas					
Motion Pattern	Direct Drive					
Aperture of Flow Rate(mm)	16	20	25	35	40	50
CV Value	4.8	12	7.6	24	29	48
Joint Pipe Bore	G1/2"	G3/4"	G1"	G1 1/4"	G1 1/2"	G2"
Operation Fluid Viscosity	50 CST(Below)					
Working-pressure Range	0~0.7Mpa					
Max. Pressure Resistance	1.05Mpa					
Control Pressure Range	0.3~0.6Mpa					
Operating Temperature Range	-5~100℃					
Material of Body	Brass					
Material of Oil Seal	PTFE					
Control Joint Pipe Bore	2-M5	2-G1/8"	2-G1/8"	2-G1/4"	2-G1/4"	2-G1/4"

Overall Dimensions



Dimension Sheet

Model	A	B	C	D	E	F
2Q160-15	67	89	57	75	M5	G1/2"
2Q200-20	99	116	57	95	G1/8"	G3/4"
2Q250-25	99	116	57	95	G1/8"	G1"
2Q350-35	127	123	93	97	G1/4"	G1 1/4"
2Q400-40	123	146	95	116	G1/4"	G1 1/2"
2Q500-50	170	155	118	114	G1/4"	G2"

SLP Series 2/2 Solenoid Valve(Normal Close)

NEW



Ordering Code

SLP

06

SLP Series

Port size
06: G1/8" 08: G1/4"
10: G3/8" 15: G1/2"
20: G3/4" 25: G1"
35: G1 1/4"
40: G1 1/2"
50: G2"
F: Flange

□

Seal Material
Blank: NBR
V: VITON
E: EPDM

E2

Voltage
E1: AC110V
E2: AC220V
E3: AC380V
E4: DC24V
E5: DC12V
E6: AC36V
E7: AC24V
E8: DC110V
E9: DC48V
E10: DC36V

3L

Orifice(mm)
1L: 1.0 1.5L: 1.5
2.5L: 2.5 3L: 3.0
4L: 4.0 5L: 5.0
6L: 6.0 10L: 10.0
10.5L: 10.5
13L: 13.0
20L: 20.0
25L: 25.0
35L: 35.0
40L: 40.0
50L: 50.0

S1

Body material
Blank: Brass
S1: SS316

H

Control style
Blank: Normal close
H: Normal open

* SLP series, 2 port, 2 position, 1/8" port size, NBR Seal, AC110V, Orifice: 3mm, Brass valve body, normal close, model: SLP06E1-3L

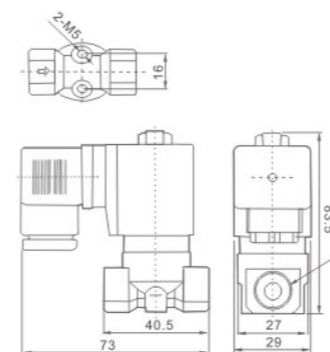
* SLP series, 2 port, 2 position, 3/8" port size, VITON Seal, AC220V, Orifice: 13mm, SS316 valve body, normal open, model: SLP10VE2-13LS1H

Product Features

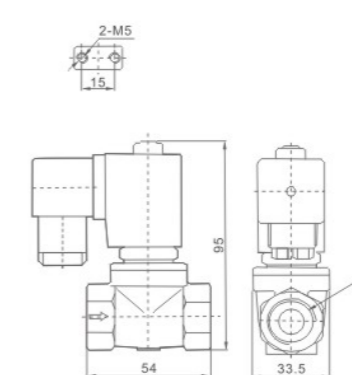
- * Normal Close, available body: brass, SS316.
- * Multiple seals are available for different medium.
- * Wide size range from 1/8" to 2" with both thread and flange connection.
- * Diaphragm pilot solenoid valve, with lower working pressure.

Overall Dimensions

Φ3mm, Φ4mm, G1/8", G1/4", G3/8"



Φ10.5mm, G1/4", G3/8", G1/2"



big orifice

