

XC5404 Series High Pressure, High Temperature Solenoid Valve



Ordering Code

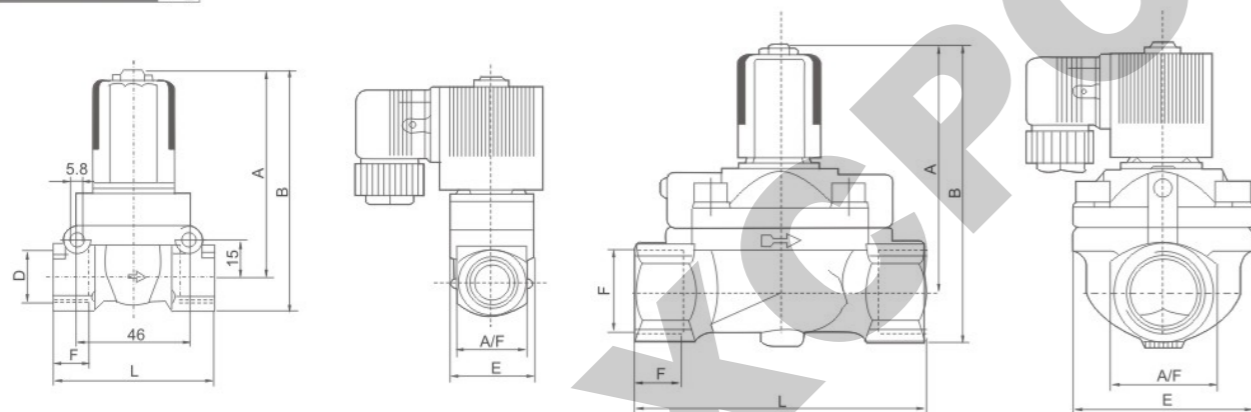
XC	5404	04	AC220V	<input type="checkbox"/>
Factory Code	Model	Port Size	Standard Voltage	Wiring Form
		02:G1/4" 04:G1/2" 06:G3/4" 08:G1"	DC12V DC24V AC24V 50/60Hz AC36V 50/60Hz AC110V 50/60Hz AC220V 50/60Hz AC380V 50/60Hz	Blank:Lead Wire Type D:Joint Connector



Specification

Model	XC5404-04	XC5404-06	XC5404-08
Working Medium	Air, Water, Oil		
Motion Pattern	Guide Type		
Type	Normal Close Type		
Aperture of Flow Rate(mm)	12	25	25
KV Value	2.0	5.0	10.0
Joint Pipe Bore	G1/2"	G3/4"	G1"
Working-pressure(kgf/cm ²)	Gas:1~50,Liquid:1~50	Gas:1~40,Liquid:01~25	Gas:1~40, Liquid:1~25
Max. Pressure Resistance(kgf/cm ²)	75	60	
Operating Temperature Range(°C)	-5~+150°C		
Voltage Range	±10%		
Protect Class	IP65		
Power Consumption	AC:5.5VA DC:9W		
Insulation	F Class		
Material of Body	Brass		
Material of Oil Seal	PTFE		

Overall Dimensions



Dimension Sheet

Model	Bore(mm)	Port	A	B	F	E	L	A/F
XC5404-04	12.0	G1/2"	83.0	98	14	32	63	27
XC5404-06	20.0	G3/4"	99.5	125	16	60	92	40
XC5404-08	25.0	G1"	99.5	125	16	60	92	40

XC6213 Series Diaphragm Type Solenoid Valve



Ordering Code

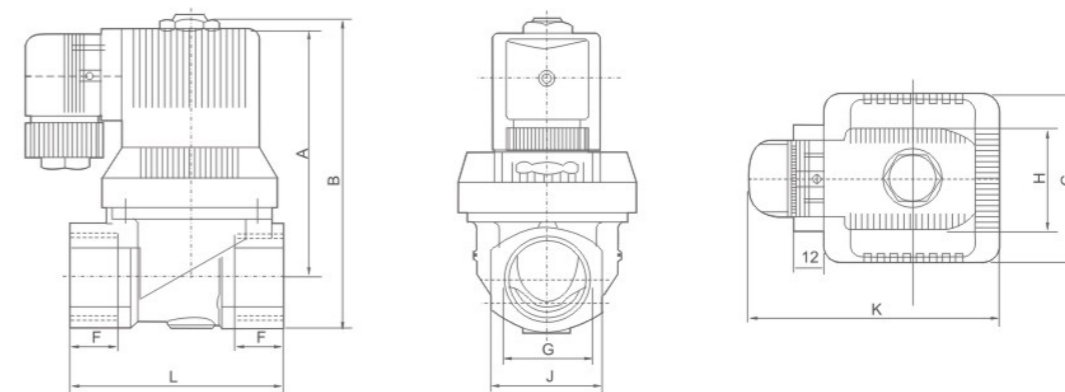
XC	6213	04	AC220V	<input type="checkbox"/>
Factory Code	Model	Port Size	Standard Voltage	Wiring Form
		02:G1/4" 03:G3/8" 04:G1/2" 06:G3/4" 08:G1"	DC12V DC24V AC36V 50/60Hz AC24V 50/60Hz AC110V 50/60Hz AC220V 50/60Hz AC380V 50/60Hz	Blank:Lead Wire Type D:Joint Connector



Specification

Model	XC6213-02	XC6213-03	XC6213-04	XC6213-04	XC6213-06	XC6213-06	XC6213-08
Inside nominal diameter(mm)	10			14			
Port Size	G1/4"	G3/8"	G1/2"	G1/2"	G3/4"	G3/4"	G1"
Working Pressure(MPa)	0.03~1.0						
Environment Temperature(°C)	-10~+55						
Medium Temperature(°C)	-10~+90						
Kv Value(m ³ /h)	2	3.6	8.3	8.3	11	11	11
Power Consumption	AC(VA) DC(W)			14 8			
Change Frequency(Hz)	≥1				≥0.5		
Power/Voltage	AC: 50Hz 24V,36V,110V,220V, DC:24V,12V						

Overall Dimensions



Dimension Sheet

Model	G	C	F	L	J	A	B	H	K
XC6213-02	G1/4"	38	14	50	26	71	85	35	71
XC6213-03	G3/8"	38	14	50	26	71	85	35	71
XC6213-04	G1/2"	38	14	50	26	71	85	35	71
XC6213-04	G1/2"	45	16	58	31	82	96	35	80
XC6213-06	G3/4"	45	16	58	31	82	96	35	80
XC6213-06	G3/4"	65	18	80.5	41	96	117	35	90
XC6213-08	G1"	65	18	80.5	41	96	117	35	90