

VX Series 2/2 Solenoid Valve



Ordering Code

VX2120 — **08** — **AC220V**

Specification Code

Port Size
06:G1/8"
08:G1/4"
10:G3/8"
15:G1/2"

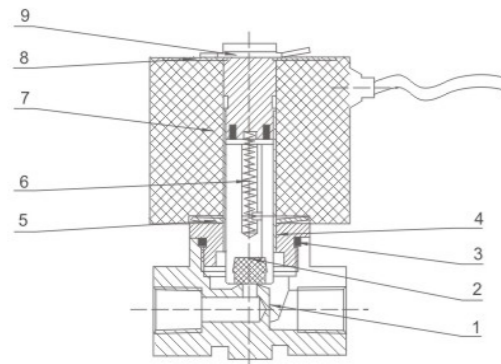
Standard Voltage
DC12V DC24V
AC24V 50Hz/60Hz
AC110V 50Hz/60Hz
AC220V 50Hz/60Hz
AC380V 50Hz/60Hz



Specification

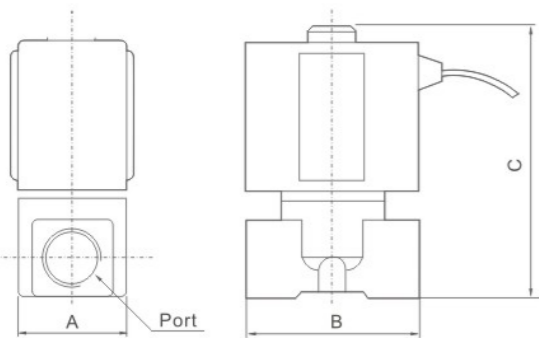
Model	VX2120-06	VX2120-08	VX2120-10	VX2120-15
Working Medium	Air, Water, Steam			
Motion Pattern	Direct Drive Type			
Type	Normal Close Type			
Working-pressure	0~1.0MPa			
Aperture of Flow Rate(mm)	3		10	13
Port Size	G1/8"	G1/4"	G3/8"	G1/2"
Operating Temperature Range	-5~+150°C		-5~+80°C	
Material of Oil Seal	VITON		NBR	

Internal structure



NO	Code	Name
1	VX2120-06-01	Body Of Valve
2	VX2120-06-02	Assembly Of Iron Core
3	VX2120-06-03	O-ring
4	VX2120-06-04	Assembly Of Iron Core
5	VX2120-06-05	Spring
6	VX2120-06-06	Spring
7	VX2120-06-07	Coil
8	VX2120-06-08	Name Plate
9	VX2120-06-09	Clip

Overall Dimensions



Dimension Sheet

Model	Port	A	B	C
VX2120-06	G1/8"	26	40	66
VX2120-08	G1/4"	26	40	66
VX2120-10	G3/8"	40	48	80
VX2120-15	G1/2"	47	66	88

VXF Series Solenoid Valve



Ordering Code

VXF2150 — **06** — **AC220V** —

Specification Code

Port Size
06:G3/4"
10:G1"
14:G1/2"

Standard Voltage
DC12V DC24V
AC24V 50Hz/60Hz
AC36V 50Hz/60Hz
AC110V 50Hz/60Hz
AC220V 50Hz/60Hz
AC380V 50Hz/60Hz

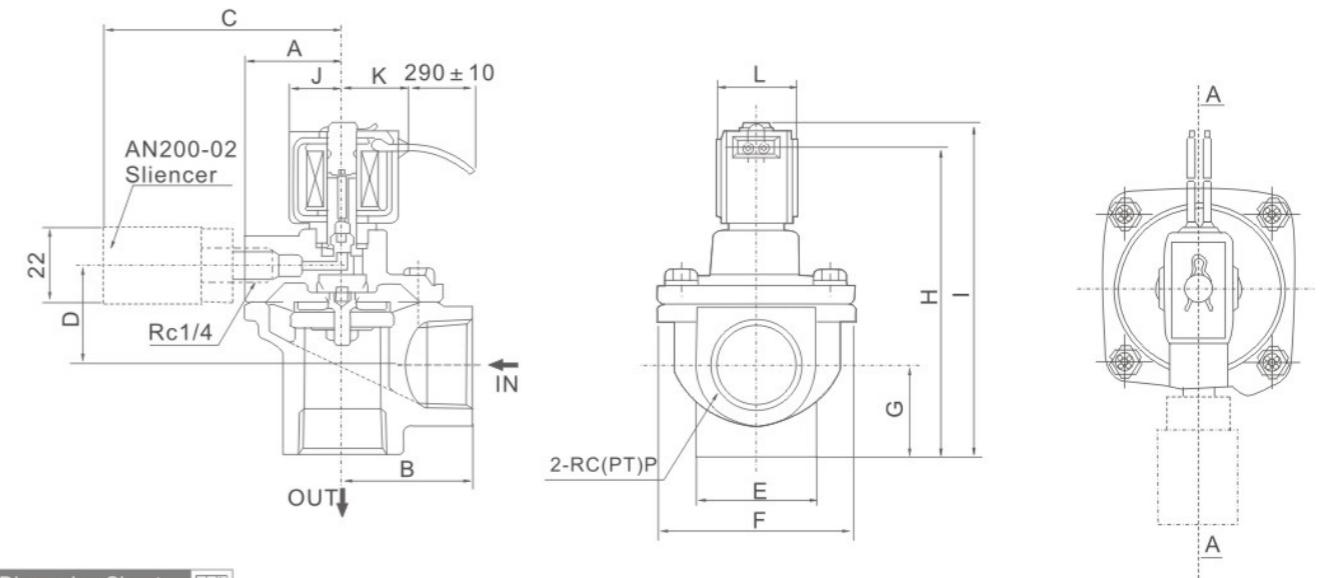
Wiring Form
Blank:Lead
Wire Type
D:Joint
Connector



Specification

Model	VXF2150-06	VX2160-10	VX2280-14
Port Size	G3/4"	G1"	G1/2"
Max. Operating Differential Pressure	1.0MPa		
Min.Operating Differential Pressure	0.031MPa		
Section (mm)	20	27	40
Effective Area of Section	170	330	810
CV Value	9.5	18.5	45
Exhaust Orifice	Rc(PT)1/4		

Overall Dimensions



Dimension Sheet

Model	A	B	C	D	E	F	G	H	I	J	K	L	P
VXF2150	33	40	85	32.5	36	66	25	103	110	20	23	30	G3/4"
VXF2160	37	48	89	38	45	74	33.5	118	125	20	23	30	G1"
VXF2280	28	68	81	58	110	110	62.5	174	184	23	25	35	G1-1/2"