

**THP Series 2/2 Solenoid Valve(Normal Close)**

Specification

Port size (G)	Orifice (mm)	CV value	Pressure difference(Bar)								Max. temperature (°C)	Power		Model		Overall dimension Length× Width ×Height A ×B×H(mm)
			Min. pressure	Max. working pressure				Steam	VA	W		220VAC	50/60Hz			
				Air. Gas	Water. Hot water. Liquid	Light oil ≤20CST	AC/DC							AC	DC	
G1/8"	2.5	0.23	0	8	8	8	8	6	6	10	180	22	13	THP06T-2.5L	-	48×25×85.5
	2.5	0.23	0	13	13	13	13	7	7	10	110	22	13	THP06V-2.5L	-	48×25×85.5
	4.5	0.6	0	7	4	7	4	4	4	7	165	22	13	THP06T-4.5L	-	58×25×85.5
	4.5	0.6	0	7	4	7	4	4	4	7	110	22	13	THP06V-4.5L	-	58×25×85.5
G1/4"	2.5	0.23	0	7	4	7	4	4	4	10	180	22	13	THP08T2-2.5L	-	48×25×85.5
	2.5	0.23	0	13	13	13	13	4	7	10	110	22	13	THP08V-2.5L	-	48×25×85.5
	4.5	0.6	0	7	4	7	4	4	4	7	165	22	13	THP08T-4.5L	-	58×25×85.5
	4.5	0.6	0	7	4	7	4	4	4	7	110	22	13	THP08V-4.5L	-	58×25×85.5
G3/8"	15	4.5	0.5	25	20	25	20	20	20		110	33	32	THP10T-15L	THP10T-15LS2	75×52×129
	15	4.5	0.5	25	20	25	20	20	20	10	185	30	25	THP10T-15LF	THP10T-15LS2F	75×52×129
G1/2"	15	4.5	0.5	25	20	25	20	20	20		110	33	32	THP-15T	THP-15TS2	75×52×129
	15	4.5	0.5	25	20	25	20	20	20	10	185	30	25	THP-15TF	THP-15TS2F	75×52×129
G3/4"	20	9.0	0.5	25	20	25	20	20	20		110	33	32	THP-20T	THP-20TS2	85×60×141
	20	9.0	0.5	25	20	25	20	20	20	10	185	30	25	THP-20TF	THP-20TS2F	85×60×141
G1"	25	13	0.5	25	20	25	20	20	20		110	33	32	THP-25T	THP-25TS2	100×70×148
	25	13	0.5	25	20	25	20	20	20	10	185	30	25	THP-25TF	THP-25TS2F	100×70×148
G1-1/4"	35	26	0.5	25	20	25	20	20	20	10	110	33	32	THP-35T	THP-35TS2	120×90×168
	35	26	0.5	25	20	25	20	20	20		185	30	25	THP-35TF	THP-35TS2F	120×90×168
G1-1/2"	35	26	0.5	25	20	25	20	20	20	10	110	33	32	THP40T-35L	THP40T-35LS2	120×90×168
	35	26	0.5	25	20	25	20	20	20		185	30	25	THP40T-35LF	THP40T-35LS2F	120×90×168
G2"	50	48	0.5	25	20	25	20	20	20		110	33	32	-	THP-50TS2	150×110×190
	50	48	0.5	25	20	25	20	20	20	10	185	30	25	-	THP-50TS2F	150×110×190
G1" Flange	25	13	0.5	25	20	25	20	20	20		110	33	32	-	THPPFT-25LS2	134×110×185
	25	13	0.5	25	20	25	20	20	20	10	185	30	25	-	THPPFT-25LS2F	134×110×185
G1-1/4" Flange	35	26	0.5	25	20	25	20	20	20		110	33	32	-	THPFT-35LS2	160×135×200
	35	26	0.5	25	20	25	20	20	20	10	185	30	25	-	THPFT-35LS2F	160×135×200
G1-1/2" Flange	35	26	0.5	25	20	25	20	20	20		110	33	32	-	THPFT-40LS2	160×145×205
	35	26	0.5	25	20	25	20	20	20	10	185	30	25	-	THPFT-40LS2F	160×145×205
G2" Flange	50	45	0.5	25	20	25	20	20	20	10	110	33	32	-	THPFT-50LS2	200×155×250
	50	45	0.5	25	20	25	20	20	20		185	30	25	-	THPFT-50LS2F	200×155×250

**THP Series 2/2 Solenoid Valve(Normal Open)**

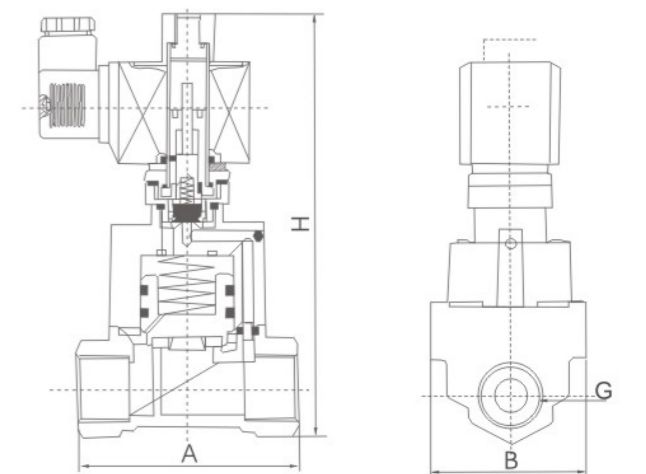
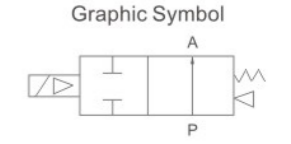
Product Features



Overall Dimensions

- \* Normal open, available body: brass, SS304, SS316
- \* Multiple seals are available for different medium
- \* Wide size range from 1/8" to 2"
- \* DIN style / flying leads coil, thread / flange connection
- \* Piston pilot solenoid valve with high working pressure and temperature

Graphic Symbol



Specification

Port size (G)	Orifice (mm)	CV value	Pressure difference(Bar)					Max. temperature (°C)	Power		Model		Overall dimension Length × Width × Height A × b × h (mm)
			Min. pressure	Max. working pressure			VA		W	220VAC	50/60Hz		
				Air. Gas	Water. Hot water. Liquid	Light oil ≤20CST						Steam	
3/8"	15	4.5	0.5	8	8	8	8	130	33	32	THP10T-15LH	THP10T-15LS2H	75×52×147
	15	4.5	0.5	8	8	8	8	130	33	32	THP10T-15LHF	THP10T-15LS2HF	75×52×147
1/2"	15	4.5	0.5	8	8	8	8	130	33	32	THP-15TH	THP-15TS2H	75×52×147
	15	4.5	0.5	8	8	8	8	130	33	32	THP-15THF	THP-15TS2HF	75×52×147
3/4"	20	9.0	0.5	8	8	8	8	130	33	32	THP-20TH	THP-20TS2H	85×60×159
	20	9.0	0.5	8	8	8	8	130	33	32	THP-20THF	THP-20TS2HF	85×60×159
1"	25	13	0.5	8	8	8	8	130	33	32	THP-25TH	THP-25TS2H	100×70×166
	25	13	0.5	8	8	8	8	130	33	32	THP-25THF	THP-25TS2HF	100×70×166
1-1/4"	35	26	0.5	6	6	6	6	130	33	32	THP-35TH	THP-35TS2H	120×90×186
	35	26	0.5	6	6	6	6	130	33	32	THP-35THF	THP-35TS2HF	120×90×186
1-1/2"	35	26	0.5	6	6	6	6	130	33	32	THP40T-35LH	THP40T-35LS2H	120×90×186
	35	26	0.5	6	6	6	6	130	33	32	THP40T-35LHF	THP40T-35LS2HF	120×90×186
1" Flange	25	25	0.5	8	8	8	8	130	33	32	-	THP-25FE2TS2H	134×110×200
	25	13	0.5	8	8	8	8	130	33	32	-	THP-25FE2TS2HF	134×110×200
1-1/4" Flange	35	26	0.5	6	6	6	6	130	33	32	-	THP-35FE2TS2H	160×134×215
	35	26	0.5	6	6	6	6	130	33	32	-	THP-35FE2TS2HF	160×134×215
1-1/2" Flange	40	26	0.5	6	6	6	6	130	33	32	-	THP-40FE2TS2H	160×145×200
	40	26	0.6	6	6	6	6	130	33	32	-	THP-40FE2TS2HF	160×145×200