

**SLP Series 2/2 Solenoid Valve(Normal Open)**

Specification

Port size (G)	Orifice (mm)	CV value	Pressure difference(Bar)				Max. temperature (°C)	Power		Model		Overall dimension Length × Width × Height A × B × H(mm)
			Min. pressure	Max. working pressure				VA	W	220VAC 50/60Hz		
				Air. Gas	Water. Liquid	Hot water. Liquid				Light oil ≤20CST	Brass	
1/4"	1	0.04	0	30	30	25	80	22	13	SLP08E2-1LH	SLP08E2-1LS1H	
	1	0.04	0	30	30	-	130	22	13	SLP08EE2-1LH	SLP08EE2-1LS1H	
	1	0.04	0	30	30	25	120	22	13	SLP08VE2-1LH	SLP08VE2-1LS1H	
	1.5	0.09	0	20	20	15	80	22	13	SLP08E2-1.5LH	SLP08E2-1.5LS1H	
	1.5	0.09	0	20	20	-	130	22	13	SLP08EE2-1.5LH	SLP08EE2-1.5LS1H	
	1.5	0.09	0	20	20	15	120	22	13	SLP08VE2-1.5LH	SLP08VE2-1.5LS1H	
	2.5	0.2	0	15	15	12	80	22	13	SLP08E2-2.5LH	SLP08E2-2.5LS1H	
	2.5	0.2	0	15	15	-	130	22	13	SLP08EE2-2.5LH	SLP08EE2-2.5LS1H	
	2.5	0.2	0	15	15	12	120	22	13	SLP08VE2-2.5LH	SLP08VE2-2.5LS1H	
	3	0.25	0	12	12	10	80	22	13	SLP08E2-3LH	SLP08E2-3LS1H	
3/8"	3	0.25	0	12	12	-	130	22	13	SLP08EE2-3LH	SLP08EE2-3LS1H	
	3	0.25	0	12	12	10	120	22	13	SLP08VE2-3LH	SLP08VE2-3LS1H	
	13	4.5	0.5	8	8	7	80	33	32	SLP10E2-13LH	SLP10E2-13LS1H	66×48×124
	13	4.5	0.5	8	8	7	120	33	32	SLP10EE2-13LH	SLP10EE2-13LS1H	66×48×124
	13	4.5	0.5	8	8	7	120	33	32	SLP10VE2-13LH	SLP10VE2-13LS1H	66×48×124
	13	4.5	0.5	8	8	7	80	33	32	SLP15E2-13LH	SLP15E2-13LS1H	66×48×124
	13	4.5	0.5	8	8	7	120	33	32	SLP15EE2-13LH	SLP15EE2-13LS1H	66×48×124
	13	4.5	0.5	8	8	7	120	33	32	SLP15VE2-13LH	SLP15VE2-13LS1H	66×48×124
	20	7.6	0.5	8	8	7	80	33	32	SLP-20E2H	SLP-20E2S1H	75×58×130
	20	7.6	0.5	8	8	7	120	33	32	SLP-20EE2H	SLP-20EE2S1H	75×58×130
1/2"	25	12	0.5	8	8	7	80	33	32	SLP-25E2H	SLP-25E2S1H	96×70×143
	25	12	0.5	8	8	7	120	33	32	SLP-25EE2H	SLP-25EE2S1H	96×70×143
	25	12	0.5	8	8	7	120	33	32	SLP-25VE2H	SLP-25VE2S1H	96×70×143
	35	22	0.5	8	8	7	80	33	32	SLP-35E2H	SLP-35E2S1H	131×96×158
1-1/4"	35	22	0.5	8	8	7	120	33	32	SLP-35EE2H	SLP-35EE2S1H	131×96×158
	35	22	0.5	8	8	7	120	33	32	SLP-35VE2H	SLP-35VE2S1H	131×96×158
	40	30	0.5	8	8	7	80	33	32	SLP-40E2H	SLP-40E2S1H	131×96×158
	40	30	0.5	8	8	7	120	33	32	SLP-40EE2H	SLP-40EE2S1H	131×96×158
1-1/2"	40	30	0.5	8	8	7	120	33	32	SLP-40VE2H	SLP-40VE2S1H	131×96×158
	50	48	0.5	8	8	7	80	33	32	SLP-50E2H	SLP-50E2S1H	165×120×179
	50	48	0.5	8	8	7	120	33	32	SLP-50EE2H	SLP-50EE2S1H	165×120×179
	50	48	0.5	8	8	7	120	33	32	SLP-50VE2H	SLP-50VE2S1H	165×120×179
2"	25	12	0.5	8	8	7	80	33	32	SLPFEE2-25LS1H	SLPFEE2-25LS1H	134×110×172
	25	12	0.5	8	8	7	120	33	32	SLPFEE2-25LS1H	SLPFEE2-25LS1H	134×110×172
	35	22	0.5	8	8	7	80	33	32	SLPFVE2-25LS1H	SLPFVE2-25LS1H	134×110×172
	35	22	0.5	8	8	7	120	33	32	SLPFVE2-25LS1H	SLPFVE2-25LS1H	134×110×172
Flange connection	35	22	0.5	8	8	7	80	33	32	SLPFEE2-35LS1H	SLPFEE2-35LS1H	160×135×187
	35	22	0.5	8	8	7	120	33	32	SLPFEE2-35LS1H	SLPFEE2-35LS1H	160×135×187
	35	22	0.5	8	8	7	120	33	32	SLPFVE2-35LS1H	SLPFVE2-35LS1H	160×135×187
	35	22	0.5	8	8	7	120	33	32	SLPFVE2-35LS1H	SLPFVE2-35LS1H	160×135×187
Flange connection	40	30	0.5	8	8	7	80	33	32	SLPFEE2-40LS1H	SLPFEE2-40LS1H	160×145×192
	40	30	0.5	8	8	7	120	33	32	SLPFEE2-40LS1H	SLPFEE2-40LS1H	160×145×192
	40	30	0.5	8	8	7	120	33	32	SLPFVE2-40LS1H	SLPFVE2-40LS1H	160×145×192
	40	30	0.5	8	8	7	120	33	32	SLPFVE2-40LS1H	SLPFVE2-40LS1H	160×145×192
Flange connection	50	48	0.5	8	8	7	80	33	32	SLPFEE2-50LS1H	SLPFEE2-50LS1H	200×160×219
	50	48	0.5	8	8	7	120	33	32	SLPFEE2-50LS1H	SLPFEE2-50LS1H	200×160×219
	50	48	0.5	8	8	7	120	33	32	SLPFVE2-50LS1H	SLPFVE2-50LS1H	200×160×219
	50	48	0.5	8	8	7	120	33	32	SLPFVE2-50LS1H	SLPFVE2-50LS1H	200×160×219

**THP Series 2/2 Solenoid Valve(Normal Close)**

**NEW**

Graphic Symbol

**Ordering Code**

**THP** **06** **E2** **2.5L** **S2**

**THP Series** **Port size** **Voltage** **Seal material** **Orifice(mm)** **Body Material** **Control style** **Coil type**

06: G1/8" 08: G1/4" E1: AC110V E2: AC220V E3: AC380V E4: DC24V E5: DC12V E6: AC36V E7: AC24V E8: DC110V E9: DC48V E10: DC36V

T: Teflon V: VITON (N,V,E orifice ≤ Φ5.5mm optional)

2.5L: 2.5 4.5L: 4.5 15L: 15.0 20L: 20.0 25L: 25.0 35L: 35.0 40L: 40.0 50L: 50.0

Blank: Brass S1: SS316 S2: SS304

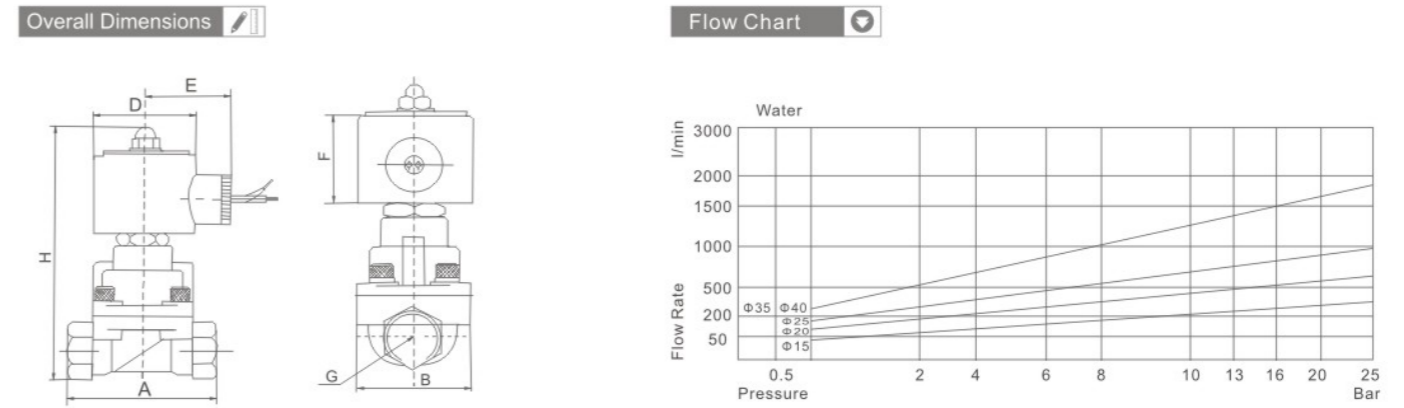
Blank: Normal close H: Normal open

Blank: DIN connector F: Flying leads

\* THP series, 2 port, 2 position, 1/8" port size, AC110V, NBR Seal, Orifice: 2.5mm, Brass valve body, normal close, DIN coil, model: THP06E1-2.5L

\* THP series, 2 port, 2 position, 3/8" port size, AC220V, teflon Seal, Orifice: 15mm, SS304 valve body, normal open, flying leads coil, model: THP10TE2-15LS2HF

- Product Features**
- \* Normal Close, available body: brass, SS304, SS316
  - \* Multiple seals are available for different medium
  - \* Wide size range from 1/8" to 2"
  - \* DIN style / flying leads coil, thread / flange connection
  - \* Piston pilot solenoid valve with high working pressure and temperature



E

E



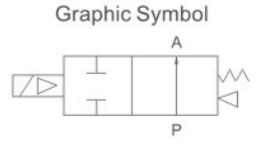
THP Series 2/2 Solenoid Valve(Normal Close)

Specification

Port size (G)	Orifice (mm)	CV value	Pressure difference(Bar)								Max. temperature (°C)	Power		Model		Overall dimension Length× Width ×Height A ×B×H(mm)
			Min. pressure	Max. working pressure				Steam	VA	W		220VAC	50/60Hz	Brass	Stainless steel	
				Air. Gas	Water. Hot water. Liquid	Light oil ≤20CST	AC									
G1/8"	2.5	0.23	0	8	8	8	8	6	6	10	180	22	13	THP06T-2.5L	-	48×25×85.5
	2.5	0.23	0	13	13	13	13	7	7	10	110	22	13	THP06V-2.5L	-	48×25×85.5
	4.5	0.6	0	7	4	7	4	4	4	7	165	22	13	THP06T-4.5L	-	58×25×85.5
	4.5	0.6	0	7	4	7	4	4	4	7	110	22	13	THP06V-4.5L	-	58×25×85.5
G1/4"	2.5	0.23	0	7	4	7	4	4	4	10	180	22	13	THP08T2-2.5L	-	48×25×85.5
	2.5	0.23	0	13	13	13	4	7	7	10	110	22	13	THP08V-2.5L	-	48×25×85.5
	4.5	0.6	0	7	4	7	4	4	4	7	165	22	13	THP08T-4.5L	-	58×25×85.5
	4.5	0.6	0	7	4	7	4	4	4	7	110	22	13	THP08V-4.5L	-	58×25×85.5
G3/8"	15	4.5	0.5	25	20	25	20	20	20		110	33	32	THP10T-15L	THP10T-15LS2	75×52×129
	15	4.5	0.5	25	20	25	20	20	20	10	185	30	25	THP10T-15LF	THP10T-15LS2F	75×52×129
G1/2"	15	4.5	0.5	25	20	25	20	20	20		110	33	32	THP-15T	THP-15TS2	75×52×129
	15	4.5	0.5	25	20	25	20	20	20	10	185	30	25	THP-15TF	THP-15TS2F	75×52×129
G3/4"	20	9.0	0.5	25	20	25	20	20	20		110	33	32	THP-20T	THP-20TS2	85×60×141
	20	9.0	0.5	25	20	25	20	20	20	10	185	30	25	THP-20TF	THP-20TS2F	85×60×141
G1"	25	13	0.5	25	20	25	20	20	20		110	33	32	THP-25T	THP-25TS2	100×70×148
	25	13	0.5	25	20	25	20	20	20	10	185	30	25	THP-25TF	THP-25TS2F	100×70×148
G1-1/4"	35	26	0.5	25	20	25	20	20	20	10	110	33	32	THP-35T	THP-35TS2	120×90×168
	35	26	0.5	25	20	25	20	20	20		185	30	25	THP-35TF	THP-35TS2F	120×90×168
G1-1/2"	35	26	0.5	25	20	25	20	20	20	10	110	33	32	THP40T-35L	THP40T-35LS2	120×90×168
	35	26	0.5	25	20	25	20	20	20		185	30	25	THP40T-35LF	THP40T-35LS2F	120×90×168
G2"	50	48	0.5	25	20	25	20	20	20		110	33	32	-	THP-50TS2	150×110×190
	50	48	0.5	25	20	25	20	20	20	10	185	30	25	-	THP-50TS2F	150×110×190
G1" Flange	25	13	0.5	25	20	25	20	20	20		110	33	32	-	THPPFT-25LS2	134×110×185
	25	13	0.5	25	20	25	20	20	20	10	185	30	25	-	THPFT-25LS2F	134×110×185
G1-1/4" Flange	35	26	0.5	25	20	25	20	20	20		110	33	32	-	THPFT-35LS2	160×135×200
	35	26	0.5	25	20	25	20	20	20	10	185	30	25	-	THPFT-35LS2F	160×135×200
G1-1/2" Flange	35	26	0.5	25	20	25	20	20	20		110	33	32	-	THPFT-40LS2	160×145×205
	35	26	0.5	25	20	25	20	20	20	10	185	30	25	-	THPFT-40LS2F	160×145×205
G2" Flange	50	45	0.5	25	20	25	20	20	20	10	110	33	32	-	THPFT-50LS2	200×155×250
	50	45	0.5	25	20	25	20	20	20		185	30	25	-	THPFT-50LS2F	200×155×250

THP Series 2/2 Solenoid Valve(Normal Open)

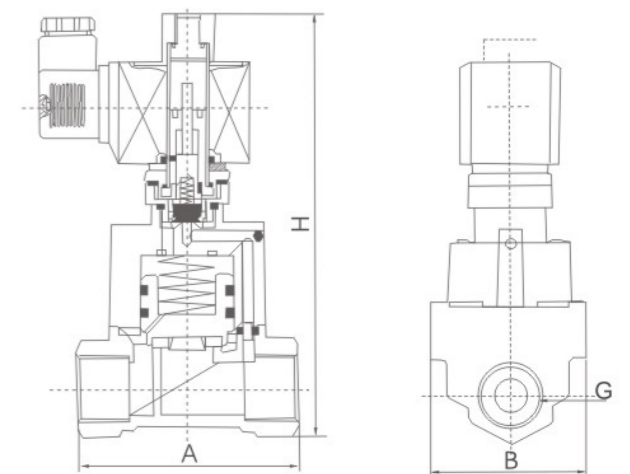
NEW



Product Features

- \* Normal open, available body: brass, SS304, SS316
- \* Multiple seals are available for different medium
- \* Wide size range from 1/8" to 2"
- \* DIN style / flying leads coil, thread / flange connection
- \* Piston pilot solenoid valve with high working pressure and temperature

Overall Dimensions



Specification

Port size (G)	Orifice (mm)	CV value	Pressure difference(Bar)					Max. temperature (°C)	Power		Model		Overall dimension Length × Width × Height A × b × h (mm)	
			Min. pressure	Max. working pressure			VA		W	220VAC	50/60Hz	Brass		Stainless steel 304
				Air. Gas	Water. Hot water. Liquid	Light oil ≤20CST								
3/8"	15	4.5	0.5	8	8	8	8	130	33	32	THP10T-15LH	THP10T-15LS2H	75×52×147	
	15	4.5	0.5	8	8	8	8	130	33	32	THP10T-15LHF	THP10T-15LS2HF	75×52×147	
1/2"	15	4.5	0.5	8	8	8	8	130	33	32	THP-15TH	THP-15TS2H	75×52×147	
	15	4.5	0.5	8	8	8	8	130	33	32	THP-15THF	THP-15TS2HF	75×52×147	
3/4"	20	9.0	0.5	8	8	8	8	130	33	32	THP-20TH	THP-20TS2H	85×60×159	
	20	9.0	0.5	8	8	8	8	130	33	32	THP-20THF	THP-20TS2HF	85×60×159	
1"	25	13	0.5	8	8	8	8	130	33	32	THP-25TH	THP-25TS2H	100×70×166	
	25	13	0.5	8	8	8	8	130	33	32	THP-25THF	THP-25TS2HF	100×70×166	
1-1/4"	35	26	0.5	6	6	6	6	130	33	32	THP-35TH	THP-35TS2H	120×90×186	
	35	26	0.5	6	6	6	6	130	33	32	THP-35THF	THP-35TS2HF	120×90×186	
1-1/2"	35	26	0.5	6	6	6	6	130	33	32	THP40T-35LH	THP40T-35LS2H	120×90×186	
	35	26	0.5	6	6	6	6	130	33	32	THP40T-35LHF	THP40T-35LS2HF	120×90×186	
1" Flange	25	25	0.5	8	8	8	8	130	33	32	-	THP-25FE2TS2H	134×110×200	
	25	13	0.5	8	8	8	8	130	33	32	-	THP-25FE2TS2HF	134×110×200	
1-1/4" Flange	35	26	0.5	6	6	6	6	130	33	32	-	THP-35FE2TS2H	160×134×215	
	35	26	0.5	6	6	6	6	130	33	32	-	THP-35FE2TS2HF	160×134×215	
1-1/2" Flange	40	26	0.5	6	6	6	6	130	33	32	-	THP-40FE2TS2H	160×145×200	
	40	26	0.6	6	6	6	6	130	33	32	-	THP-40FE2TS2HF	160×145×200	