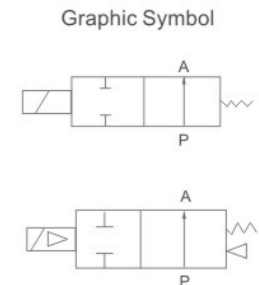


SLP Series 2/2 Solenoid Valve(Normal Close)

Specification

Port size (G)	Orifice (mm)	CV value	Pressure difference(Bar)				Max. temperature (°C)	Power		Model		Overall dimension Length × Width × Height A × B × H(mm)
			Min. pressure	Max. working pressure				VA 220V	W 24V	220VAC 50/60Hz		
				Air, Gas	Water, Hot water, Liquid	Light oil ≤20CST				Brass	Stainless steel	
1/8"	3	0.23	0	13	13	10	80	22	13	SLP06E2-3L	SLP06E2-3LS1	
	3	0.23	0	13	13	-	130	22	13	SLP06EE2-3L	SLP06EE2-3LS1	
	3	0.23	0	13	13	10	120	22	13	SLP06VE2-3L	SLP06VE2-3LS1	
1/4"	3	0.23	0	13	13	10	80	22	13	SLP08E2-3L	SLP08E2-3LS1	
	3	0.23	0	13	13	-	130	22	13	SLP08EE2-3L	SLP08EE2-3LS1	
	3	0.23	0	13	13	10	120	22	13	SLP08VE2-3L	SLP08VE2-3LS1	
	10.5	1.47	0	10	10	10	80	22	13	SLP08E2-10.5L	-	
	10.5	1.47	0	10	10	-	130	22	13	SLP08EE2-10.5L	-	
	10.5	1.47	0	10	10	10	120	22	13	SLP08VE2-10.5L	-	
3/8"	3	0.3	0	13	13	10	80	22	13	SLP10E2-3L	SLP10E2-3LS1	
	3	0.3	0	13	13	10	130	22	13	SLP10EE2-3L	SLP10EE2-3LS1	
	3	0.3	0	13	13	10	120	22	13	SLP10VE2-3L	SLP10VE2-3LS1	
	4	0.6	0	8	8	6	80	22	13	SLP10E2-4L	SLP10E2-4LS1	
	4	0.6	0	8	8	6	130	22	13	SLP10EE2-4L	SLP10EE2-4LS1	
	4	0.6	0	8	8	6	120	22	13	SLP10VE2-4L	SLP10VE2-4LS1	
	10.5	1.68	0	10	10	10	80	22	13	SLP10E2-10.5L	-	
	10.5	1.68	0	10	10	-	130	22	13	SLP10EE2-10.5L	-	
	10.5	1.68	0	10	10	10	120	22	13	SLP10VE2-10.5L	-	
	13	4.5	0.5	16	16	13	80	22	13	SLP10E2-13L	SLP10E2-13LS1	
1/2"	13	4.5	0.5	16	16	-	130	22	13	SLP10EE2-13L	SLP10EE2-13LS1	66×48×112
	13	4.5	0.5	16	16	13	120	22	13	SLP10VE2-13L	SLP10VE2-13LS1	
	10.5	1.75	0	10	10	10	80	22	13	SLP15E2-10.5L	-	
	10.5	1.75	0	10	10	-	130	22	13	SLP15EE2-10.5L	-	
	10.5	1.75	0	10	10	10	120	22	13	SLP15VE2-10.5L	-	
	13	4.5	0.5	16	16	13	80	22	13	SLP15E2-13L	SLP15E2-13LS1	
	13	4.5	0.5	16	16	-	130	22	13	SLP15EE2-13L	SLP15EE2-13LS1	
	13	4.5	0.5	16	16	13	120	22	13	SLP15VE2-13L	SLP15VE2-13LS1	
	20	7.6	0.5	16	16	13	80	22	13	SLP-20E2	SLP-20E2S1	
	20	7.6	0.5	16	16	-	130	22	13	SLP-20EE2	SLP-20EE2S1	
3/4"	20	7.6	0.5	16	16	13	120	22	13	SLP-20VE2	SLP-20VE2S1	75×58×118
	25	12	0.5	16	16	13	80	22	13	SLP-25E2	SLP-25E2S1	
	25	12	0.5	16	16	-	130	22	13	SLP-25EE2	SLP-25EE2S1	
1"	25	12	0.5	16	16	13	80	22	13	SLP-25VE2	SLP-25VE2S1	96×70×131
	35	22	0.5	16	16	13	80	22	13	SLP-35E2	SLP-35E2S1	
	35	22	0.5	16	16	-	130	22	13	SLP-35EE2	SLP-35EE2S1	
1-1/4"	35	22	0.5	16	16	13	120	22	13	SLP-35VE2	SLP-35VE2S1	131×96×146
	40	30	0.5	16	16	13	80	22	13	SLP-40E2	SLP-40E2S1	
	40	30	0.5	16	16	-	130	22	13	SLP-40EE2	SLP-40EE2S1	
1-1/2"	40	30	0.5	16	16	13	120	22	13	SLP-40VE2	SLP-40VE2S1	131×96×146
	50	48	0.5	16	16	13	80	22	13	SLP-50E2	SLP-50E2S1	
	50	48	0.5	16	16	-	130	22	13	SLP-50EE2	SLP-50EE2S1	
2"	50	48	0.5	16	16	13	120	22	13	SLP-50VE2	SLP-50VE2S1	165×120×167
	25	12	0.5	16	16	13	80	22	13	SLPFEE2-25LS1	134×110×160	
	25	12	0.5	16	16	-	130	22	13	SLPFEE2-25LS1	134×110×160	
Flange connection	25	12	0.5	16	16	13	120	22	13	SLPPFVE-25VLS1	134×110×160	
	35	22	0.5	16	16	13	80	22	13	SLPFEE2-35LS1	160×135×175	
	35	22	0.5	16	16	-	130	22	13	SLPFEE2-35LS1	160×135×175	
Flange connection	35	22	0.5	16	16	13	120	22	13	SLPFVE2-35LS1	160×135×175	
	40	30	0.5	16	16	13	80	22	13	SLPFEE2-40LS1	160×145×180	
	40	30	0.5	16	16	-	130	22	13	SLPFEE2-40LS1	160×145×180	
Flange connection	40	30	0.5	16	16	13	120	22	13	SLPFVE2-40LS1	160×145×180	
	50	48	0.5	16	16	13	80	22	13	SLPFEE2-50LS1	200×160×207	
	50	48	0.5	16	16	-	130	22	13	SLPFEE2-50LS1	200×160×207	
Flange connection	50	48	0.5	16	16	13	120	22	13	SLPFVE2-50LS1	200×160×207	

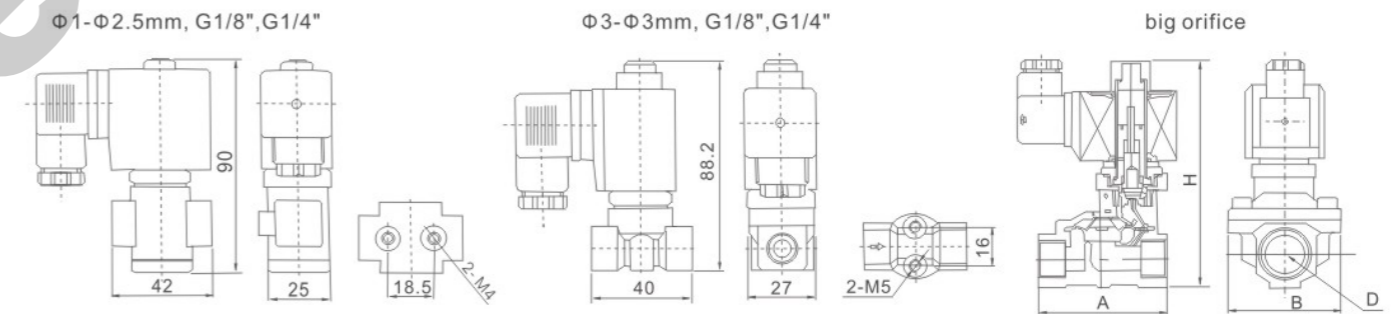
SLP Series 2/2 Solenoid Valve(Normal Open)



Product Features

- * Normal open, available body: brass, SS316
- * Multiple seals are available for different medium
- * Wide size range from 1/8" to 2", with both thread and flange connection
- * Diaphragm pilot solenoid valve, with lower working pressure

Overall Dimensions



Specification

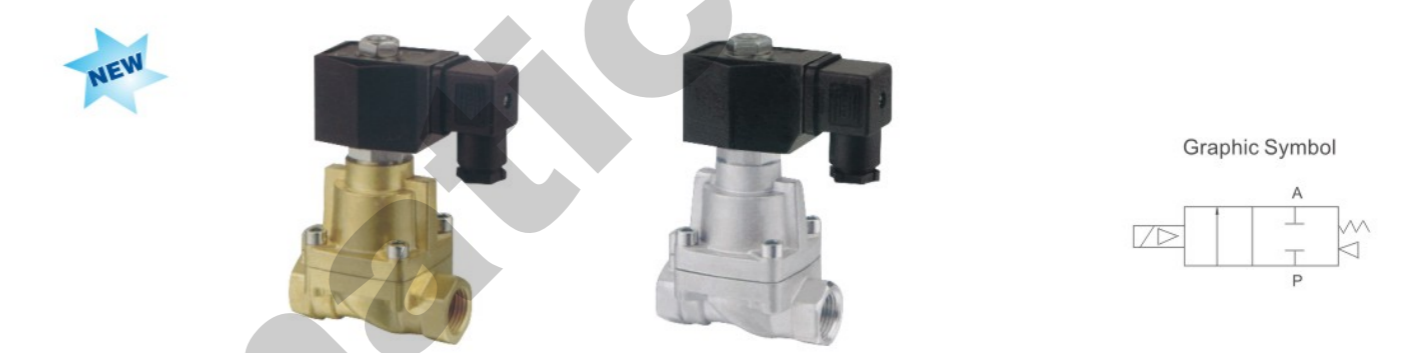
Port size (G)	Orifice (mm)	CV value	Pressure difference(Bar)				Max. temperature (°C)	Power		Model	
			Min. pressure	Max. working pressure				VA 220V	W 24V	220VAC 50/60Hz	
				Air, Gas	Water, Hot water, Liquid	Light oil ≤20CST				Brass	Stainless steel
1/8"	1	0.04	0	30	30	25	80	22	13	SLP06E2-1LH	SLP06E2-1LS1H
	1	0.04	0	30	30	-	130	22	13	SLP06EE2-1LH	SLP06EE2-1LS1H
	1	0.04	0	30	30	25	120	22	13	SLP06VE2-1LH	SLP06VE2-1LS1H
	1.5	0.09	0	20	20	15	80	22	13	SLP06E2-1.5LH	SLP06E2-1.5LS1H
	1.5	0.09	0	20	20	-	130	22	13	SLP06EE2-1.5LH	SLP06EE2-1.5LS1H
	1.5	0.09	0	20	20	15	120	22	13	SLP06VE2-1.5LH	SLP06VE2-1.5LS1H
	2.5	0.2	0	15	15	12	80	22	13	SLP06E2-2.5LH	SLP06E2-2.5LS1H
	2.5	0.2	0	15	15	-	130	22	13	SLP06EE2-2.5LH	SLP06EE2-2.5LS1H
	2.5	0.2	0	15	15	12	120	22	13	SLP06VE2-2.5LH	SLP06VE2-2.5LS1H
	3	0.25	0	12	12	10	80	22	13	SLP06E2-3LH	SLP06E2-3LS1H
	3	0.25	0	12	12	-	130	22	13	SLP06EE2-3LH	SLP06EE2-3LS1H
	3	0.25	0	12	12	10	120	22	13	SLP06VE2-3LH	SLP06VE2-3LS1H

SLP Series 2/2 Solenoid Valve(Normal Open)

Specification

Port size (G)	Orifice (mm)	CV value	Pressure difference(Bar)				Max. temperature (°C)	Power		Model		Overall dimension Length × Width × Height A × B × H(mm)
			Min. pressure	Max. working pressure				VA	W	220VAC 50/60Hz		
				Air. Gas	Water. Liquid	Hot water. Liquid				Light oil ≤20CST	Brass	
1/4"	1	0.04	0	30	30	25	80	22	13	SLP08E2-1LH	SLP08E2-1LS1H	
	1	0.04	0	30	30	-	130	22	13	SLP08EE2-1LH	SLP08EE2-1LS1H	
	1	0.04	0	30	30	25	120	22	13	SLP08VE2-1LH	SLP08VE2-1LS1H	
	1.5	0.09	0	20	20	15	80	22	13	SLP08E2-1.5LH	SLP08E2-1.5LS1H	
	1.5	0.09	0	20	20	-	130	22	13	SLP08EE2-1.5LH	SLP08EE2-1.5LS1H	
	1.5	0.09	0	20	20	15	120	22	13	SLP08VE2-1.5LH	SLP08VE2-1.5LS1H	
	2.5	0.2	0	15	15	12	80	22	13	SLP08E2-2.5LH	SLP08E2-2.5LS1H	
	2.5	0.2	0	15	15	-	130	22	13	SLP08EE2-2.5LH	SLP08EE2-2.5LS1H	
	2.5	0.2	0	15	15	12	120	22	13	SLP08VE2-2.5LH	SLP08VE2-2.5LS1H	
	3	0.25	0	12	12	10	80	22	13	SLP08E2-3LH	SLP08E2-3LS1H	
3/8"	3	0.25	0	12	12	-	130	22	13	SLP08EE2-3LH	SLP08EE2-3LS1H	
	3	0.25	0	12	12	10	120	22	13	SLP08VE2-3LH	SLP08VE2-3LS1H	
	13	4.5	0.5	8	8	7	80	33	32	SLP10E2-13LH	SLP10E2-13LS1H	66×48×124
	13	4.5	0.5	8	8	7	120	33	32	SLP10EE2-13LH	SLP10EE2-13LS1H	66×48×124
	13	4.5	0.5	8	8	7	120	33	32	SLP10VE2-13LH	SLP10VE2-13LS1H	66×48×124
	13	4.5	0.5	8	8	7	80	33	32	SLP15E2-13LH	SLP15E2-13LS1H	66×48×124
	13	4.5	0.5	8	8	7	120	33	32	SLP15EE2-13LH	SLP15EE2-13LS1H	66×48×124
	13	4.5	0.5	8	8	7	120	33	32	SLP15VE2-13LH	SLP15VE2-13LS1H	66×48×124
	20	7.6	0.5	8	8	7	80	33	32	SLP-20E2H	SLP-20E2S1H	75×58×130
	20	7.6	0.5	8	8	7	120	33	32	SLP-20EE2H	SLP-20EE2S1H	75×58×130
1/2"	25	12	0.5	8	8	7	80	33	32	SLP-25E2H	SLP-25E2S1H	96×70×143
	25	12	0.5	8	8	7	120	33	32	SLP-25EE2H	SLP-25EE2S1H	96×70×143
	25	12	0.5	8	8	7	120	33	32	SLP-25VE2H	SLP-25VE2S1H	96×70×143
	35	22	0.5	8	8	7	80	33	32	SLP-35E2H	SLP-35E2S1H	131×96×158
1-1/4"	35	22	0.5	8	8	7	120	33	32	SLP-35EE2H	SLP-35EE2S1H	131×96×158
	35	22	0.5	8	8	7	120	33	32	SLP-35VE2H	SLP-35VE2S1H	131×96×158
	40	30	0.5	8	8	7	80	33	32	SLP-40E2H	SLP-40E2S1H	131×96×158
	40	30	0.5	8	8	7	120	33	32	SLP-40EE2H	SLP-40EE2S1H	131×96×158
1-1/2"	40	30	0.5	8	8	7	120	33	32	SLP-40VE2H	SLP-40VE2S1H	131×96×158
	50	48	0.5	8	8	7	80	33	32	SLP-50E2H	SLP-50E2S1H	165×120×179
	50	48	0.5	8	8	7	120	33	32	SLP-50EE2H	SLP-50EE2S1H	165×120×179
	50	48	0.5	8	8	7	120	33	32	SLP-50VE2H	SLP-50VE2S1H	165×120×179
2"	50	48	0.5	8	8	7	80	33	32	SLPFEE2-25LS1H	SLPFEE2-25LS1H	134×110×172
	50	48	0.5	8	8	7	120	33	32	SLPFEE2-25LS1H	SLPFEE2-25LS1H	134×110×172
	50	48	0.5	8	8	7	120	33	32	SLPFVE2-25LS1H	SLPFVE2-25LS1H	134×110×172
	50	48	0.5	8	8	7	80	33	32	SLPFEE2-35LS1H	SLPFEE2-35LS1H	160×135×187
Flange connection	35	22	0.5	8	8	7	80	33	32	SLPFEE2-35LS1H	SLPFEE2-35LS1H	160×135×187
	35	22	0.5	8	8	7	120	33	32	SLPFVE2-35LS1H	SLPFVE2-35LS1H	160×135×187
	35	22	0.5	8	8	7	120	33	32	SLPFEE2-40LS1H	SLPFEE2-40LS1H	160×145×192
	35	22	0.5	8	8	7	120	33	32	SLPFVE2-40LS1H	SLPFVE2-40LS1H	160×145×192
Flange connection	40	30	0.5	8	8	7	80	33	32	SLPFEE2-40LS1H	SLPFEE2-40LS1H	160×145×192
	40	30	0.5	8	8	7	120	33	32	SLPFVE2-40LS1H	SLPFVE2-40LS1H	160×145×192
	40	30	0.5	8	8	7	80	33	32	SLPFEE2-50LS1H	SLPFEE2-50LS1H	200×160×219
	40	30	0.5	8	8	7	120	33	32	SLPFVE2-50LS1H	SLPFVE2-50LS1H	200×160×219
Flange connection	50	48	0.5	8	8	7	80	33	32	SLPFEE2-50LS1H	SLPFEE2-50LS1H	200×160×219
	50	48	0.5	8	8	7	120	33	32	SLPFVE2-50LS1H	SLPFVE2-50LS1H	200×160×219
	50	48	0.5	8	8	7	120	33	32	SLPFEE2-50LS1H	SLPFEE2-50LS1H	200×160×219
	50	48	0.5	8	8	7	120	33	32	SLPFVE2-50LS1H	SLPFVE2-50LS1H	200×160×219

THP Series 2/2 Solenoid Valve(Normal Close)



Ordering Code

THP **06** **E2** **2.5L** **S2**

THP Series
 Port size
 06: G1/8" 08: G1/4"
 10: G3/8" 15: G1/2"
 20: G3/4" 25: G1"
 35: G1-1/4"
 40: G1-1/2"
 50: G2"
 25F: 1" Flange
 35F: 1-1/4" Flange
 40F: 1-1/2" Flange
 50F: 2" Flange

Voltage
 E1: AC110V
 E2: AC220V
 E3: AC380V
 E4: DC24V
 E5: DC12V
 E6: AC36V
 E7: AC24V
 E8: DC110V
 E9: DC48V
 E10: DC36V

Seal material
 T: Teflon
 V: VITON
 (N,V,E orifice ≤ Φ5.5mm optional)

Orifice(mm)
 2.5L: 2.5
 4.5L: 4.5
 15L: 15.0
 20L: 20.0
 25L: 25.0
 35L: 35.0
 40L: 40.0
 50L: 50.0
 Cancel if same with port size

Body Material
 Blank: Brass
 S1: SS316
 S2: SS304

Control style
 Blank: Normal close
 H: Normal open

Coil type
 Blank: DIN connector
 F: Flying leads

* THP series, 2 port, 2 position, 1/8" port size, AC110V, NBR Seal, Orifice: 2.5mm, Brass valve body, normal close, DIN coil, model: THP06E1-2.5L
 * THP series, 2 port, 2 position, 3/8" port size, AC220V, teflon Seal, Orifice: 15mm, SS304 valve body, normal open, flying leads coil, model: THP10TE2-15LS2HF

- Product Features**
- * Normal Close, available body: brass, SS304, SS316
 - * Multiple seals are available for different medium
 - * Wide size range from 1/8" to 2"
 - * DIN style / flying leads coil, thread / flange connection
 - * Piston pilot solenoid valve with high working pressure and temperature

Overall Dimensions

Flow Chart

E

E