

3V1 Series Solenoid Valve



3V1-06

Ordering Code

3V 1 06 - B - AC220V

Specification Code
3V: Two-position Three-way Solenoid Valve

Port Size
M5:M5×0.8
06:G1/8"

Standard Voltage
DC12v
DC24v
AC24v 50Hz/60Hz
AC110v 50Hz/60Hz
AC220v 50Hz/60Hz
AC380v 50Hz/60Hz

Wiring Form
Blank:Standard Connector
G:Lead Wire Type
L:With Lighting Connector

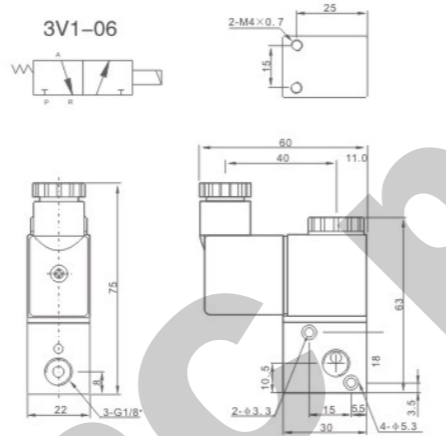
Series Code
100 Series

Connecting Type
Blank:Pipe Connection Type
B:Plate Connection Type

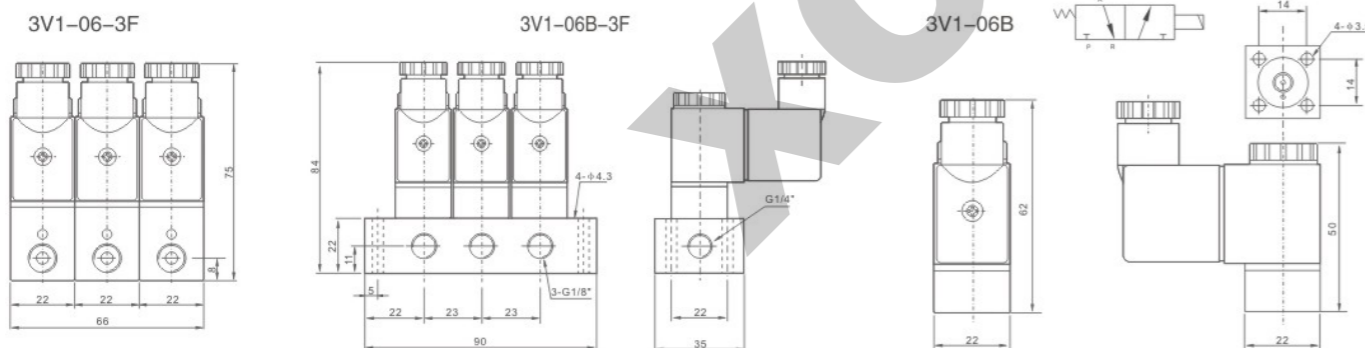
Specification

Model	3V1-M5	3V1-06
Working Medium	40 Micron Filtered Air	
Motion Pattern	Direct Drive Type	
Joint Pipe Bore	M5	1/8"
Ambient Temperature	-10~+60°C	
Gas Temperature	5~60°C	
Air Outlet Diameter	1.0mm	
Lubrication	Not Necessary	
Working-pressure	0~0.8MPa	
Max.Pressure Resistance	1.2MPa	
Power Consumption	AC:4.5VA DC:3.0W	
Protect Class	IP65	
Power Connection Form	GorI	
Material of Body	Aluminum alloy	
Highest Action Frequency	10Cycle / Sec	
Insulation	F Class	
Voltage Range	±10%	
Shortest Excitation Time	0.05 Second	

Overall Dimensions



Overall Dimensions



Base For 4V、4A Series Valve



Ordering Code

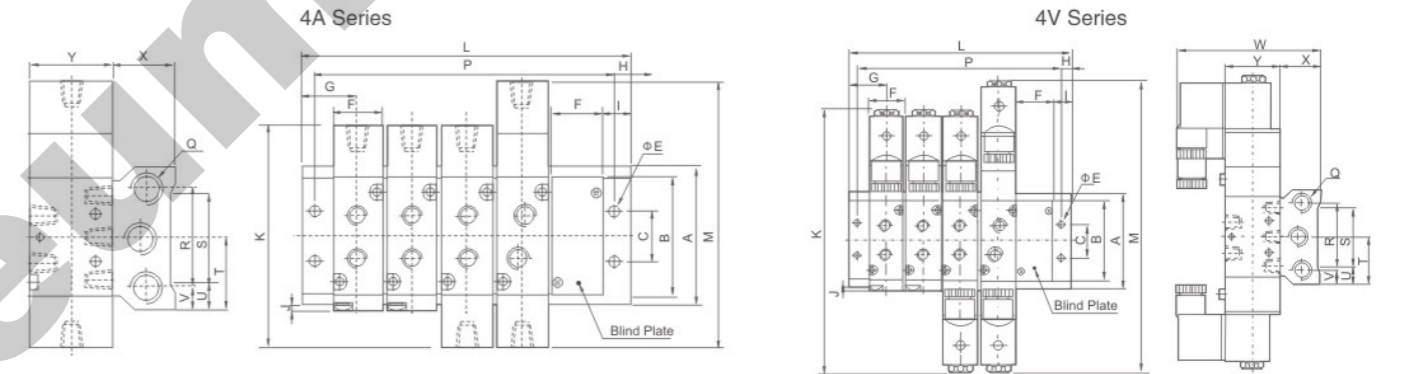
4V — **100M** — **F**

Series Code
4V:For 4V Series uses
4A:For 4A Series uses

Specification Code
100M:Base for 100 Series Use
200M:Base for 200 Series Use
300M:Base for 300 Series Use
400M:Base for 400 Series Use

Joint Base Number
100M:Wantonly Joint
200M:Wantonly Joint
300M:Wantonly Joint
400M:Wantonly Joint

Overall Dimensions



Dimension Sheet(4A Series)

Model	A	B	C	E	F	G	H	I	J	K	L															
											1F	2F	3F	4F	5F	6F	7F	8F	9F	10F	11F	12F	13F	14F	15F	16F
100M-□ F	58	43.2	20	4.5	18.3	19	5	10	0.8	139.4	38	57	76	95	114	133	152	171	190	209	228	247	266	285	304	323
200M-□ F	61	50.7	21	4.5	22.4	23	6	12	1.2	170	46	69	92	115	138	161	184	207	230	253	276	299	322	345	368	391
300M-□ F	75	64.8	26	4.5	27.3	27	6	13.5	2.5	188.8	54	82	110	138	166	194	22	250	278	306	334	362	-	-	-	-
400M-□ F	104	94.5	32	5.5	34.3	31.5	7	14.5	5	221.8	63	98	133	168	203	238	273	-	-	-	-	-	-	-	-	-

Model	M	P																Q	R	S	T	U	V	W	X	Y
		1F	2F	3F	4F	5F	6F	7F	8F	9F	10F	11F	12F	13F	14F	15F	16F									
100M-□ F	154.5	28	47	66	85	104	123	142	161	180	199	218	237	256	275	294	313	G1/4"	40	30	29	14	9	79	25	27
200M-□ F	189	34	57	80	103	126	149	172	195	218	241	264	287	310	333	356	379	G1/4"	43	32	30.5	14.5	9	93	26	35
300M-□ F	208	42	70	98	126	154	182	210	238	266	294	322	350	-	-	-	-	G3/8"	53	48	37.5	13.5	11	99.5	30	40
400M-□ F	243	49	84	119	154	189	224	259	-	-	-	-	-	-	-	-	-	G1/2"	68	67	52	18.5	18	112.5	38	50

Dimension Sheet(4V Series)

Model	A	B	C	E	F	G	H	I	J	K	L															
											1F	2F	3F	4F	5F	6F	7F	8F	9F	10F	11F	12F	13F	14F	15F	16F
100M-□ F	58	43.2	20	4.5	18.3	19	5	10	0.8	81	38	57	76	95	114	133	152	171	190	209	228	247	266	285	304	323
200M-□ F	61	50.7	21	4.5	22.4	23	6	12	1.2	92	46	69	92	115	138	161	184	207	230	253	276	299	322	345	368	391
300M-□ F	75	64.8	26	4.5	27.3	27	6	13.5	2.5	111	54	82	110	138	166	194	22	250	278	306	334	362	-	-	-	-
400M-□ F	104	94.5	32	5.5	34.3	31.5	7	14.5	5	142	71	98	133	168	203	238	273	-	-	-	-	-	-	-	-	-

Model	M	P																Q	R	S	T	U	V	X	Y
		1F	2F	3F	4F	5F	6F	7F	8F	9F	10F	11F	12F	13F	14F	15F	16F								
100M-□ F	96	28	47	66	85	104	123	142	161	180	199	218	237	256	275	294	313	G1/4"	40	30	29	14	9	25	27
200M-□ F	111	34	57	80	103	126	149	172	195	218	241	264	287	310	333	356	379	G1/4"	43	32	30.5	14.5	9	26	35
300M-□ F	130	42	70	98	126	154	182	210	238	266	294	322	350	-	-	-	-	G3/8"	53	48	37.5	13.5	11	30	40
400M-□ F	163	49	84	119	154	189	224	259	-	-	-	-	-	-	-	-	-	G1/2"	68	67	52	18.5	18	38	50

Base For VF、VZ Series Valve



Ordering Code

VF3000M

F

Specification Code

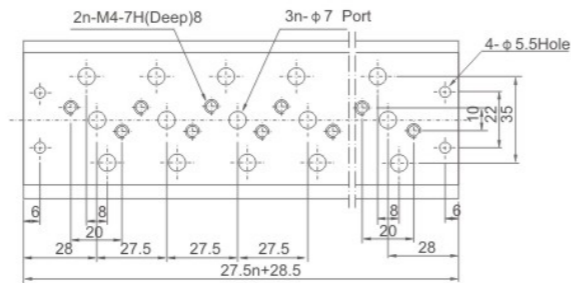
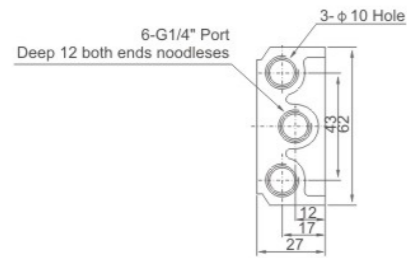
VF3000M:For VF3 Series Use
VF5000M:For VF5 Series Use
VZ5000M:For VZ5 Series Use

Joint Base Number

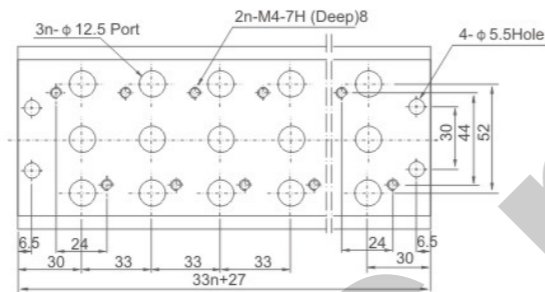
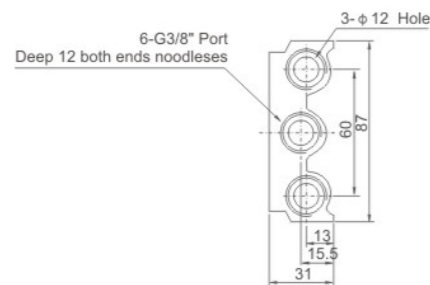
VF3000M:Wantonly Joint
VF5000M:Wantonly Joint
VZ5000M:Wantonly Joint

Overall Dimensions

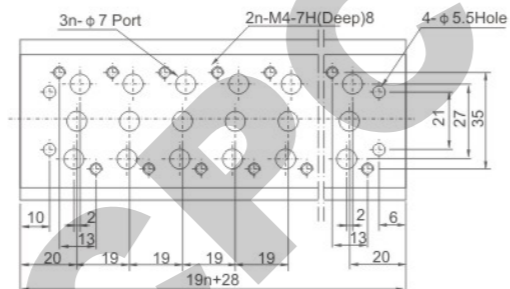
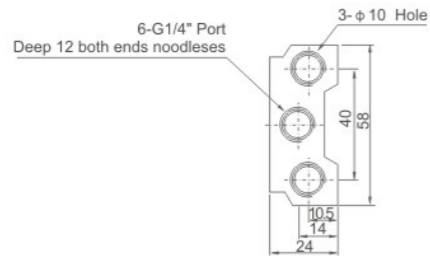
VF3000M



VF5000M



VZ5000M



Blind plate for 4V、4A Series Valve



Ordering Code

4V、4A

100M

B

Series Code
4M:For 4M Series uses

Specification Code
100M:For 100 Series Use
200M:For 200 Series Use
300M:For 300 Series Use
400M:For 400 Series Use

Blind Plate Code
B:Base Purposed Blind Plate

Blind plate Operating Instructions:
When base quantity is more than solenoid (pneumatic) valve quantity, can use blind plate to seal the redundant valve base temporary, and then change it if add extra solenoid (pneumatic) valve. Like this can expand system.

Hand/Mechanical Valve

The valve is controlled by human or machine, to switch the direction of air flow. These valves included hand pull, hand draw, button control, rotary and foot valve. Body is made from aluminum, machining by CNC center. XCPC used the high grade of material and imported machine to make all the details perfect.

