

3V1 Series Solenoid Valve



3V1-06

Ordering Code

Specification Code
3V: Two-position Three-way Solenoid Valve

Port Size
M5:M5×0.8
06:G1/8"

Standard Voltage
DC12v
DC24v
AC24v 50Hz/60Hz
AC110v 50Hz/60Hz
AC220v 50Hz/60Hz
AC380v 50Hz/60Hz

Wiring Form
Blank:Standard Connector
G:Lead Wire Type
L:With Lighting Connector

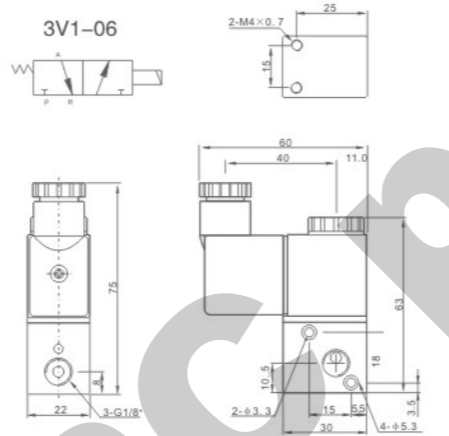
Series Code
100 Series

Connecting Type
Blank:Pipe Connection Type
B:Plate Connection Type

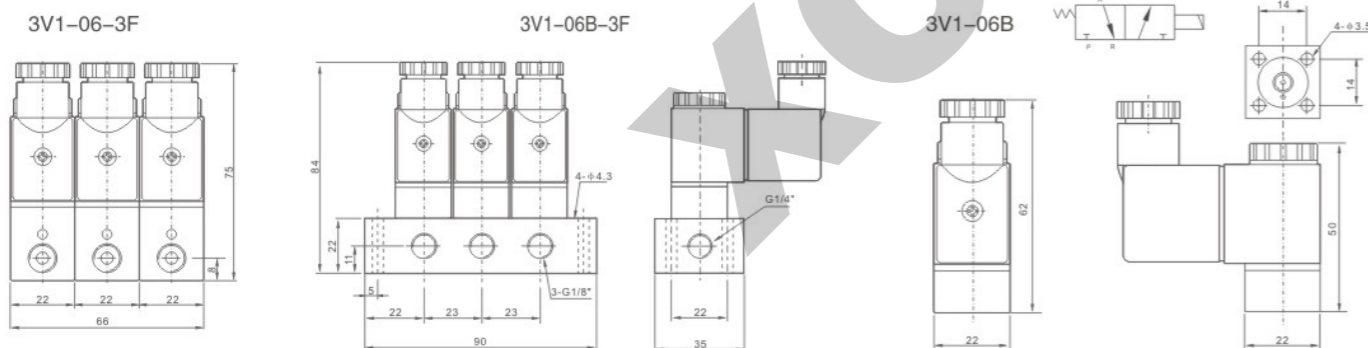
Specification

| Model | 3V1-M5 | 3V1-06 |
|--------------------------|------------------------|--------|
| Working Medium | 40 Micron Filtered Air | |
| Motion Pattern | Direct Drive Type | |
| Joint Pipe Bore | M5 | 1/8" |
| Ambient Temperature | -10~+60°C | |
| Gas Temperature | 5~60°C | |
| Air Outlet Diameter | 1.0mm | |
| Lubrication | Not Necessary | |
| Working-pressure | 0~0.8MPa | |
| Max.Pressure Resistance | 1.2MPa | |
| Power Consumption | AC:4.5VA DC:3.0W | |
| Protect Class | IP65 | |
| Power Connection Form | Gorl | |
| Material of Body | Aluminum alloy | |
| Highest Action Frequency | 10Cycle / Sec | |
| Insulation | F Class | |
| Voltage Range | ±10% | |
| Shortest Excitation Time | 0.05 Second | |

Overall Dimensions



Overall Dimensions



Base For 4V、4A Series Valve



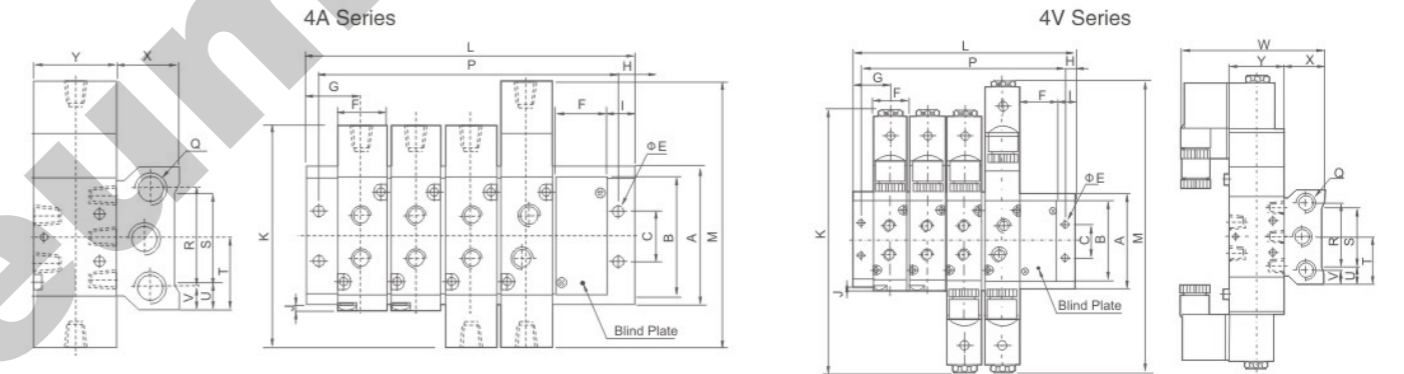
Ordering Code

Series Code
4V:For 4V Series uses
4A:For 4A Series uses

Specification Code
100M:Base for 100 Series Use
200M:Base for 200 Series Use
300M:Base for 300 Series Use
400M:Base for 400 Series Use

Joint Base Number
100M:Wantonly Joint
200M:Wantonly Joint
300M:Wantonly Joint
400M:Wantonly Joint

Overall Dimensions



Dimension Sheet(4A Series)

| Model | A | B | C | E | F | G | H | I | J | K | L | | | | | | | | | | | | | | | |
|----------|-----|------|----|-----|------|------|---|------|-----|-------|----|----|-----|-----|-----|-----|-----|-----|-----|-----|-----|-----|-----|-----|-----|-----|
| | | | | | | | | | | | 1F | 2F | 3F | 4F | 5F | 6F | 7F | 8F | 9F | 10F | 11F | 12F | 13F | 14F | 15F | 16F |
| 100M-□ F | 58 | 43.2 | 20 | 4.5 | 18.3 | 19 | 5 | 10 | 0.8 | 139.4 | 38 | 57 | 76 | 95 | 114 | 133 | 152 | 171 | 190 | 209 | 228 | 247 | 266 | 285 | 304 | 323 |
| 200M-□ F | 61 | 50.7 | 21 | 4.5 | 22.4 | 23 | 6 | 12 | 1.2 | 170 | 46 | 69 | 92 | 115 | 138 | 161 | 184 | 207 | 230 | 253 | 276 | 299 | 322 | 345 | 368 | 391 |
| 300M-□ F | 75 | 64.8 | 26 | 4.5 | 27.3 | 27 | 6 | 13.5 | 2.5 | 188.8 | 54 | 82 | 110 | 138 | 166 | 194 | 22 | 250 | 278 | 306 | 334 | 362 | - | - | - | - |
| 400M-□ F | 104 | 94.5 | 32 | 5.5 | 34.3 | 31.5 | 7 | 14.5 | 5 | 221.8 | 63 | 98 | 133 | 168 | 203 | 238 | 273 | - | - | - | - | - | - | - | - | - |

| Model | M | P | | | | | | | | | | | | | | | | Q | R | S | T | U | V | W | X | Y |
|----------|-------|----|----|-----|-----|-----|-----|-----|-----|-----|-----|-----|-----|-----|-----|-----|-----|-------|----|----|------|------|----|-------|----|----|
| | | 1F | 2F | 3F | 4F | 5F | 6F | 7F | 8F | 9F | 10F | 11F | 12F | 13F | 14F | 15F | 16F | | | | | | | | | |
| 100M-□ F | 154.5 | 28 | 47 | 66 | 85 | 104 | 123 | 142 | 161 | 180 | 199 | 218 | 237 | 256 | 275 | 294 | 313 | G1/4" | 40 | 30 | 29 | 14 | 9 | 79 | 25 | 27 |
| 200M-□ F | 189 | 34 | 57 | 80 | 103 | 126 | 149 | 172 | 195 | 218 | 241 | 264 | 287 | 310 | 333 | 356 | 379 | G1/4" | 43 | 32 | 30.5 | 14.5 | 9 | 93 | 26 | 35 |
| 300M-□ F | 208 | 42 | 70 | 98 | 126 | 154 | 182 | 210 | 238 | 266 | 294 | 322 | 350 | - | - | - | - | G3/8" | 53 | 48 | 37.5 | 13.5 | 11 | 99.5 | 30 | 40 |
| 400M-□ F | 243 | 49 | 84 | 119 | 154 | 189 | 224 | 259 | - | - | - | - | - | - | - | - | - | G1/2" | 68 | 67 | 52 | 18.5 | 18 | 112.5 | 38 | 50 |

Dimension Sheet(4V Series)

| Model | A | B | C | E | F | G | H | I | J | K | L | | | | | | | | | | | | | | | |
|----------|-----|------|----|-----|------|------|---|------|-----|-----|----|----|-----|-----|-----|-----|-----|-----|-----|-----|-----|-----|-----|-----|-----|-----|
| | | | | | | | | | | | 1F | 2F | 3F | 4F | 5F | 6F | 7F | 8F | 9F | 10F | 11F | 12F | 13F | 14F | 15F | 16F |
| 100M-□ F | 58 | 43.2 | 20 | 4.5 | 18.3 | 19 | 5 | 10 | 0.8 | 81 | 38 | 57 | 76 | 95 | 114 | 133 | 152 | 171 | 190 | 209 | 228 | 247 | 266 | 285 | 304 | 323 |
| 200M-□ F | 61 | 50.7 | 21 | 4.5 | 22.4 | 23 | 6 | 12 | 1.2 | 92 | 46 | 69 | 92 | 115 | 138 | 161 | 184 | 207 | 230 | 253 | 276 | 299 | 322 | 345 | 368 | 391 |
| 300M-□ F | 75 | 64.8 | 26 | 4.5 | 27.3 | 27 | 6 | 13.5 | 2.5 | 111 | 54 | 82 | 110 | 138 | 166 | 194 | 22 | 250 | 278 | 306 | 334 | 362 | - | - | - | - |
| 400M-□ F | 104 | 94.5 | 32 | 5.5 | 34.3 | 31.5 | 7 | 14.5 | 5 | 142 | 71 | 98 | 133 | 168 | 203 | 238 | 273 | - | - | - | - | - | - | - | - | - |

| Model | M | P | | | | | | | | | | | | | | | | Q | R | S | T | U | V | X | Y |
|----------|-----|----|----|-----|-----|-----|-----|-----|-----|-----|-----|-----|-----|-----|-----|-----|-----|-------|----|----|------|------|----|----|----|
| | | 1F | 2F | 3F | 4F | 5F | 6F | 7F | 8F | 9F | 10F | 11F | 12F | 13F | 14F | 15F | 16F | | | | | | | | |
| 100M-□ F | 96 | 28 | 47 | 66 | 85 | 104 | 123 | 142 | 161 | 180 | 199 | 218 | 237 | 256 | 275 | 294 | 313 | G1/4" | 40 | 30 | 29 | 14 | 9 | 25 | 27 |
| 200M-□ F | 111 | 34 | 57 | 80 | 103 | 126 | 149 | 172 | 195 | 218 | 241 | 264 | 287 | 310 | 333 | 356 | 379 | G1/4" | 43 | 32 | 30.5 | 14.5 | 9 | 26 | 35 |
| 300M-□ F | 130 | 42 | 70 | 98 | 126 | 154 | 182 | 210 | 238 | 266 | 294 | 322 | 350 | - | - | - | - | G3/8" | 53 | 48 | 37.5 | 13.5 | 11 | 30 | 40 |
| 400M-□ F | 163 | 49 | 84 | 119 | 154 | 189 | 224 | 259 | - | - | - | - | - | - | - | - | - | G1/2" | 68 | 67 | 52 | 18.5 | 18 | 38 | 50 |