

### AL, BL Series Lubricator

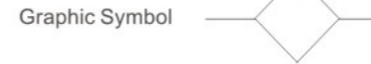


Ordering Code

**BL**      **2000**

**Series**  
AL: Small Size  
BL: Middle Size

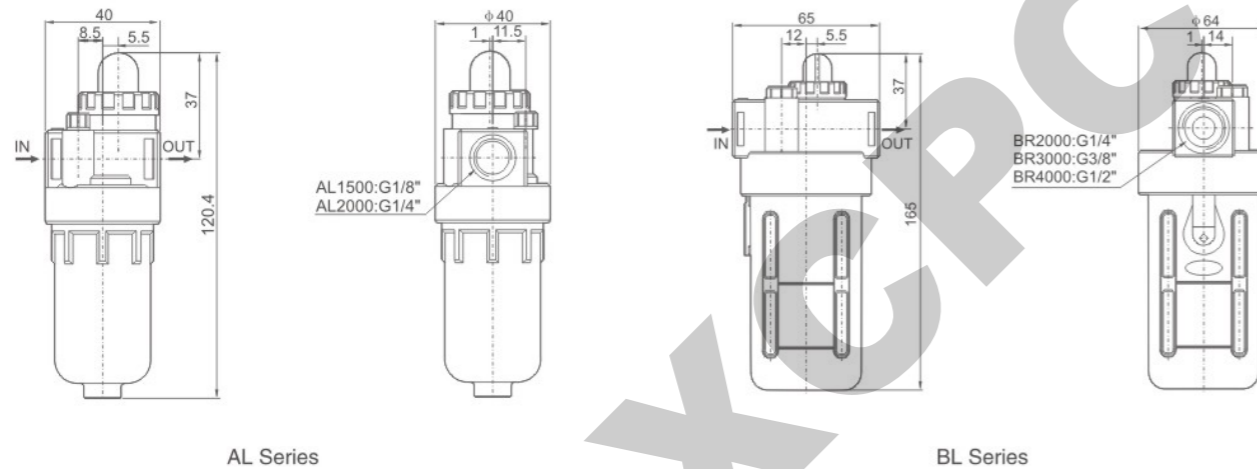
**Port Size**  
1500: G1/8"  
2000: G1/4"  
3000: G3/8"  
4000: G1/2"



Specification

Model	AL1500	AL2000	BL2000	BL3000	BL4000
Operating Fluid	Air				
Port Size	G1/8"	G1/4"	G1/4"	G3/8"	G1/2"
Ensured Pressure Resistance	1.5MPa				
Operating Temperature Range	5~60°C				
Suggested Lube	ISO VG 32 or Same Grade Oil				
Capacity of Oil Feed Cup	25 cc		90 cc		
Body	Aluminum Die-casting Forming				
Material	Container Cup	PE			Iron
Protective Cup Cover	-				

Overall Dimensions



### XAC Series Air Source Treatment Unit



Ordering Code

**XAC**      **T**      **300**      **10A**      **D**

**Model**      **Port Size**

XACT300-08A PT1/4"  
XACT300-10A PT3/8"  
XACT400-08A PT1/4"  
XACT400-10A PT3/8"  
XACT400-15A PT1/2"

**Series Code** XAC Series

**Function Code** F.R.L  
Comblanation

**Specification code** 300  
400

**Port Size** 08A: 1/4"  
10A: 3/8"  
15A: 1/2"

**Drain Type** Blank: Manually  
Drain Type  
D: Auto Drain Type  
D (Only For 400)



**XAC**      **P**      **300**      **10A**      **D**

**Model**      **Port Size**

XACP300-08A PT1/4"  
XACP300-10A PT3/8"  
XACP400-08A PT1/4"  
XACP400-10A PT3/8"  
XACP400-15A PT1/2"

**Series Code** XAC Series

**Function Code** F.R.L  
Comblanation

**Specification code** 300  
400

**Port Size** 08A: 1/4"  
10A: 3/8"  
15A: 1/2"

**Drain Type** Blank: Manually  
Drain Type  
D: Auto Drain Type  
D (Only For 400)



**XAC**      **FR**      **300**      **10A**      **D**

**Model**      **Port Size**

XACFR300-08A PT1/4"  
XACFR300-10A PT3/8"  
XACFR400-08A PT1/4"  
XACFR400-10A PT3/8"  
XACFR400-15A PT1/2"

**Series Code** XAC Series

**Function Code** Filter &  
Regulator

**Specification code** 300  
400

**Port Size** 08A: 1/4"  
10A: 3/8"  
15A: 1/2"

**Drain Type** Blank: Manually  
Drain Type  
D: Auto Drain Type  
D (Only For 400)



**XAC**      **F**      **300**      **10A**      **D**

**Model**      **Port Size**

XACF300-08A PT1/4"  
XACF300-10A PT3/8"  
XACF400-08A PT1/4"  
XACF400-10A PT3/8"  
XACF400-15A PT1/2"

**Series Code** XAC Series

**Function Code** Filter

**Specification code** 300  
400

**Port Size** 08A: 1/4"  
10A: 3/8"  
15A: 1/2"

**Drain Type** Blank: Manually  
Drain Type  
D: Auto Drain Type  
D (Only For 400)



**XAC**      **L**      **300**      **10A**

**Model**      **Port Size**

XACL300-08A PT1/4"  
XACL300-10A PT3/8"  
XACL400-08A PT1/4"  
XACL400-10A PT3/8"  
XACL400-15A PT1/2"

**Series Code** XAC Series

**Function Code** Lubricator

**Specification code** 300  
400

**Port Size** 08A: 1/4"  
10A: 3/8"  
15A: 1/2"



**XAC**      **R**      **300**      **10A**

**Model**      **Port Size**

XACR300-08A PT1/4"  
XACR300-10A PT3/8"  
XACR400-08A PT1/4"  
XACR400-10A PT3/8"  
XACR400-15A PT1/2"

**Series Code** XAC Series

**Function Code** Regulator

**Specification code** 300  
400

**Port Size** 08A: 1/4"  
10A: 3/8"  
15A: 1/2"