

XAR 1000~5000 Series Regulator

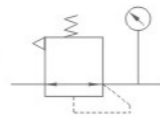


XAR5000-10 XAR4000-04 XAR2000-02

Ordering Code

XA	R	4000	04
Series XA series	Function code Regulator	Specification Code 1000 2000 3000 4000 5000	Port Size M5:M5×0.8 01:G1/8" 02:G1/4" 03:G3/8" 04:G1/2" 06:G3/4" 10:G1"

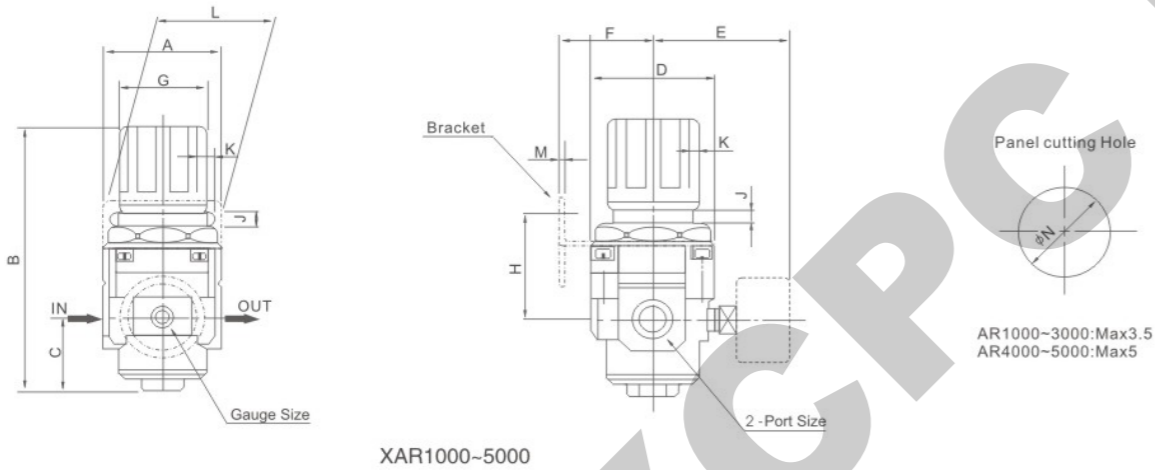
Graphic Symbol



Specification

Model	XAR1000 -M5	XAR2000 -01	XAR2000 -02	XAR3000 -02	XAR3000 -03	XAR4000 -03	XAR4000 -04	XAR4000 -06	XAR5000 -06	XAR5000 -10
Rated Flow	100	550	550	2500	2500	6000	6000	6000	8000	8000
Port Size	M5	G1/8"	G1/4"	G1/4"	G3/8"	G3/8"	G1/2"	G3/4"	G3/4"	G1"
Highest Working Pressure	1.0MPa									
Ensured pressure Resistance	1.5MPa									
Operating Temperature Range	5~60°C									
Range of Adjustable Pressure	0.05~0.7MPa		0.05~0.85MPa							
Valve Type	With Overflow									

Overall Dimensions



XAR1000-5000

Dimension Sheet

Model	Port Size (G)	A	B	C	D	E	F	G	H	J	K	L	M	N
XAR1000	M5	25	61.5	11	25	26	25	28	30	4.5	6.5	40	2	20.5
XAR2000	G1/8"~G1/4"	40	95	17	40	56.8	30	34	44	5.4	15.4	55	2.3	33.5
XAR3000	G1/4"~G3/8"	53	127.5	35	53	60.8	41	40	46	6.5	8	53	2.3	42.5
XAR4000	G3/8"~1/2"	70	149.5	37.5	70	65.5	50	54	54	8.5	10.5	70	2.3	52.5
XAR4000-06	G3/4"	75	154	40.5	70	69.5	50	54	56	8.5	10.5	70	2.3	52.5
XAR5000	G3/4"~G1"	90	168	48	90	75.5	70	66	65.8	11	13	90	3.2	52.5

XAW 1000~5000 Series Filter & Regulator

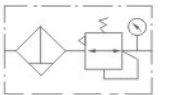


XAW5000-10 XAW4000-04 XAW2000-02

Ordering Code

XA	W	4000	04	<input type="checkbox"/>	<input type="checkbox"/>
Series XA series	Function code Filter & Regulator	Specification Code 1000 2000 3000 4000 5000	Port Size M5:M5×0.8 01:G1/8" 02:G1/4" 03:G3/8" 04:G1/2" 06:G3/4" 10:G1"	Drain Type Blank:Manual Drain Type D:Auto Drain Type (Available for 2000 or above)	Metal Cup U: With Iron Cup L: With Aluminum Cup (Available for 2000)

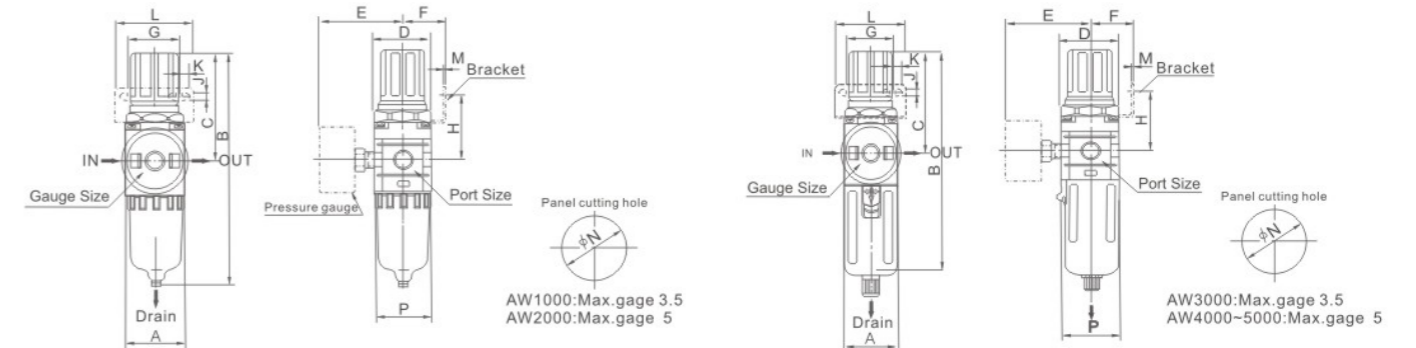
Graphic Symbol



Specification

Model	XAW1000 -M5	XAW2000 -01	XAW2000 -02	XAW3000 -02	XAW3000 -03	XAW4000 -03	XAW4000 -04	XAW4000 -06	XAW5000 -06	XAW5000 -10
Rated Flow(L/min)	100	550	550	2000	2000	4000	4000	4500	5500	5500
Port Size	M5	G1/8"	G1/4"	G1/4"	G3/8"	G3/8"	G1/2"	G3/4"	G3/4"	G1"
Filter Precision	25 μ									
Highest Working Pressure	1.0MPa									
Ensured pressure Resistance	1.5MPa									
Operating Temperature Range	5~60°C									
Range of Adjustable Pressure	0.05~0.7MPa					0.05~0.85MPa				
Container Material	Polycarbonate									
Protective Cover	Not Available					Available				
Drain Function	Differential Drain					Differential Drain, Automatic Drain				
Valve Type	With Overflow									

Overall Dimensions



XAW1000-2000

XAW3000-5000

Dimension Sheet

Model	Port Size (G)	A	B	C	D	E	F	G	H	J	K	L	M	N	P
XAW1000	M5	25	109.5	50.5	25	26	25	28	30	4.5	6.5	40	2	20.5	28
XAW2000	G1/8"~G1/4"	40	164.5	78	40	56.8	30	34	43.5	5.4	15.4	55	2.3	33.5	40
XAW3000	G1/4"~G3/8"	53	211	92.5	53	60.8	41	40	46	6.5	8	53	2.3	42.5	56
XAW4000	G3/8"~1/2"	70	262	112	70	70.5	50	54	53.5	8.5	10.5	70	2.3	52.2	73
XAW4000-06	G3/4"	75	267	114	70	70.5	50	54	55.5	8.5	10.5	70	2.3	52.5	73
XAW5000	G3/4"~G1"	90	338	116	90	75.5	69.8	54	62	8.5	10.5	70	3.2	52.5	90