

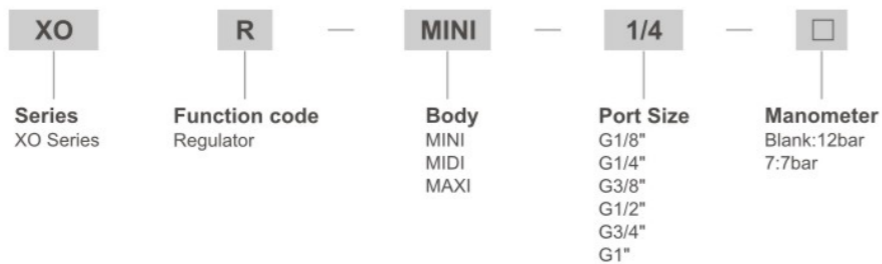
XOR Series Regulator



XOR-MINI

The XOR maintain inputting constant operating pressure despite fluctuation in line pressure and the amount of air consumed.

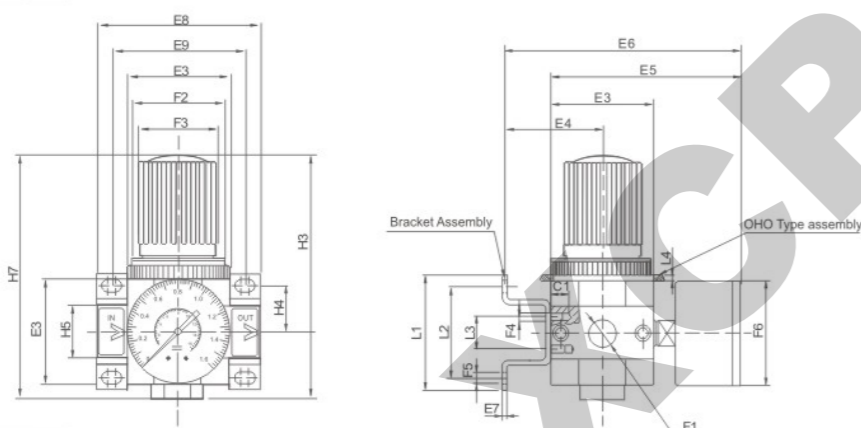
Ordering Code



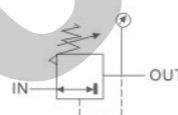
Specification

Regulators	MINI			MIDI			MAXI	
Working pressure 12bar	XOR-1/8-MINI	XOR-1/4-MINI	XOR-3/8-MINI	XOR-3/8-MIDI	XOR-1/2-MIDI	XOR-3/4-MIDI	XOR-3/4-MAXI	XOR-1-MAXI
Working pressure 7bar	XOR-1/8-7-MINI	XOR-1/4-7-MINI	XOR-3/8-7-MINI	XOR-3/8-7-MIDI	OXR-1/2-7-MIDI	XOR-3/4-7-MIDI	XOR-3/4-7-MAXI	XOR-1-7-MAXI
Manometer	0~12bar			OMA-40-16-1/8			OMA-50-16-1/4	
	0~7bar			OMA-40-10-1/8			OMA-50-10-1/4	
Medium	Filtered, compressed air (lubricated or unlubricated)							
Features of structure	MINI/MIDI: Diaphragm type regulator; MAXI: Piston regulator							
Mounting type	Pipe/foot/Plate mounting							
Assembly position	Any							
Standard nominal flow rate	Connection	G1/8"	G1/4"	G3/8"	G3/8"	G1/2"	G3/4"	G1"
	XOR-...	800	1500	1700	3200	3500	3500	11000
Primary pressure	1~16bar							
	0.5~12bar/0.5~7bar							
Working pressure	0.5~12bar/0.5~7bar							
Temperature range	0~60°C							
Materials information	Housing: Zinc die-casting; Sealing: NBR; Adjusting knob: POM							

Overall Dimensions



Graphic Symbol

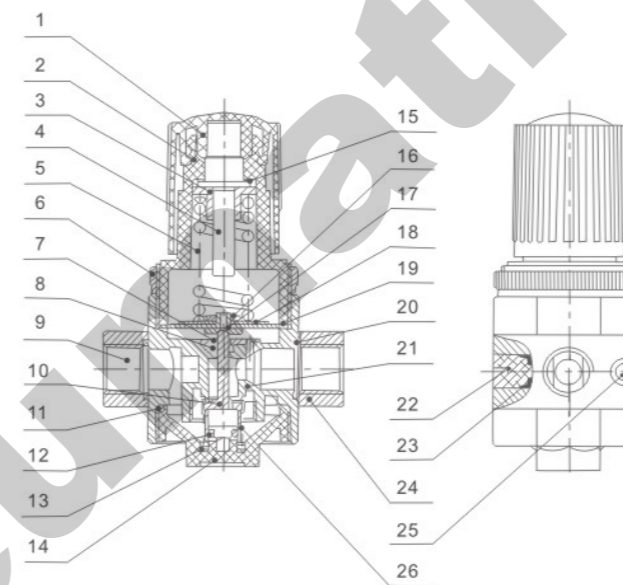


Dimension Sheet

Model	E3	E4	E5	E6	E8	E9	F1	F2	F3Φ	F4	F5Φ	F6Φ	L1	L2	L3	L4	H3	H4	H7
XOR-...-MINI	40	39	76	95	64	52	G1/8", G1/4", G3/8"	M36×1.5	31	M4	4.5	41	44	35	11	Max.3	69	17.5	96
XOR-...-MIDI	55	47	93	112	85	70	G3/8", G1/2", G3/4"	M52×1.5	50	M5	5.5	52	73	60	22	Max.5	98	24.5	96
XOR-...-MAXI	66	53	104	124	96,116	80,91	G3/4", G1"	M52×1.5	31	M5	5.5	53	73	60	22	Max.4	80	24.5	96

XOR Series Regulator

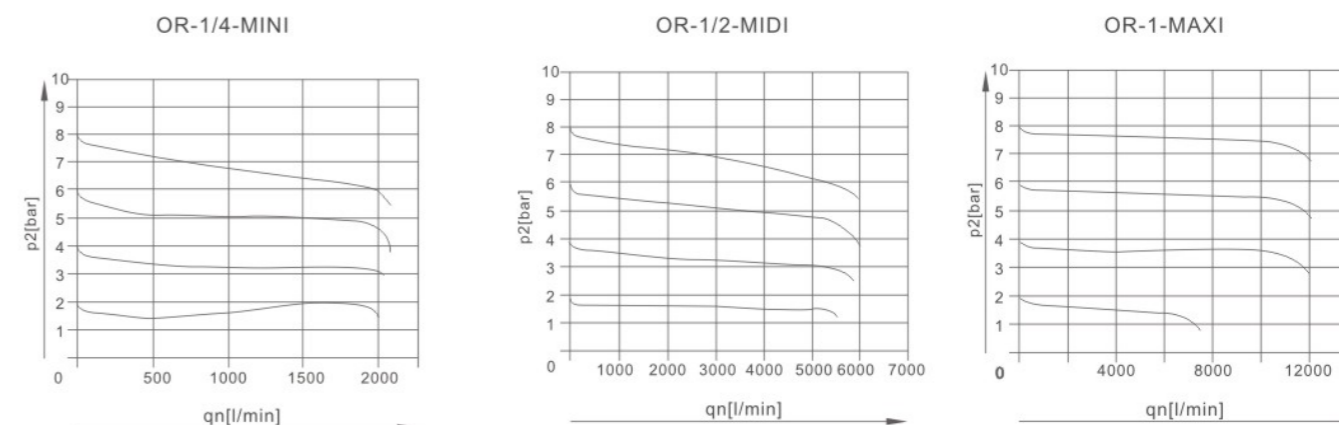
Internal structure



NO	Item	Material
1	Pressure knob	POM
2	Regulator cap	POM
3	Regulator nut	S35C
4	Adjusting spindle	S35C
5	Pressure spring	SWC
6	Fixed ring	6061-T6
7	One part of membrane	NBR
8	O-ring	NBR
9	Flange-IN	Zinc alloy
10	Spool	Brass
11	O-ring	NBR
12	O-ring	NBR
13	Fasteners	Brass
14	Locker cover	Zinc alloy
15	Wearing sheet	Insulation sheet
16	OR Sheet	NBR
17	Overflow base	6061-T6
18	One part of diaphragm	SPCC
19	Diaphragm	NBR+Nylon Mesh
20	O-ring	NBR
21	OR Body	Zinc alloy
22	Plug	POM
23	O-ring	NBR
24	Flange-OUT	Zinc alloy
25	Allen screw	S35C
26	Spring	SWPB

Flow diagram

Standard flow rate qn as a function of the output pressure p2



Primary pressure: p1=10 bar